



Chipsmall Limited consists of a professional team with an average of over 10 year of expertise in the distribution of electronic components. Based in Hongkong, we have already established firm and mutual-benefit business relationships with customers from,Europe,America and south Asia,supplying obsolete and hard-to-find components to meet their specific needs.

With the principle of “Quality Parts,Customers Priority,Honest Operation,and Considerate Service”,our business mainly focus on the distribution of electronic components. Line cards we deal with include Microchip,ALPS,ROHM,Xilinx,Pulse,ON,Everlight and Freescale. Main products comprise IC,Modules,Potentiometer,IC Socket,Relay,Connector.Our parts cover such applications as commercial,industrial, and automotives areas.

We are looking forward to setting up business relationship with you and hope to provide you with the best service and solution. Let us make a better world for our industry!



Contact us

Tel: +86-755-8981 8866 Fax: +86-755-8427 6832

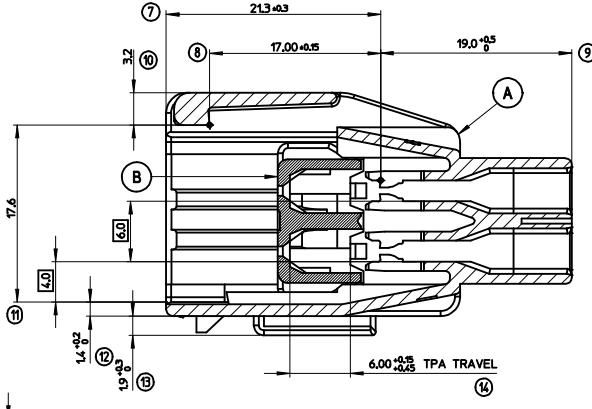
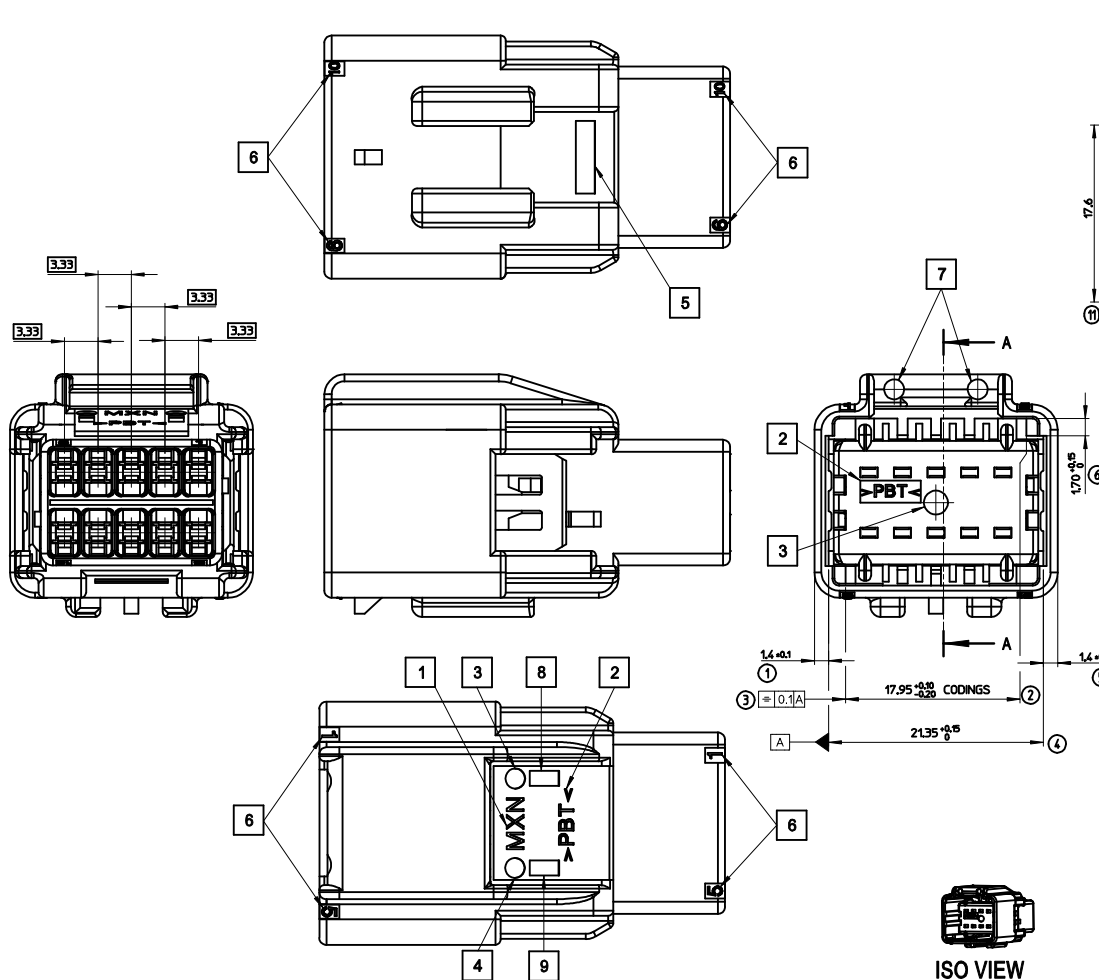
Email & Skype: info@chipsmall.com Web: www.chipsmall.com

Address: A1208, Overseas Decoration Building, #122 Zhenhua RD., Futian, Shenzhen, China



	20	19	18	17	16	15	14	13	12	11	10	9	8	7	6	5	4	3	2	1
CODING	FRONT VIEW HOUSING																			
	CODING AERAS																			
M/N	0988231018				0988231011				0988231016				0988231010				0988231015			
COLOR	GREY				BLACK				BLUE				WHITE				GREEN			

MODIFICATIONS			
REV	DESCRIPTIONS	NAME	DATE
A	X-RELEASED	PBO	06/12/18
B	DRAWING TITLE NSCC WAS UCCA + NEW TITLE BLOCK	GD	12/03/20
C	UPDATE MARKING PARTS	PGR	13/04/03
D	DM1 and Sr 14/-01 WAS 14 +0.1/0. DM2- 17.95 +0.1/-0.2 WAS 17.95 0/-0.2	OPL	14/05/07



- NOTES :**
- 1 - USE 15 MM SICMA MALE TERMINALS
 - 2 - MATES WITH 098816101X
 - 3 - APPLICATION SPECIFICATION : AS-98816-001
 - 4 - PART WEIGHT: 8.00 g

ID.	MARKING
9	MOLD VERSION
8	PART REVISION LEVEL
7	DATUM YEAR / MONTH
6	CAVITY NUMBERING (FOR TERMINALS)
6	SUPPLIER P/N (#SERIE)
4	ASSEMBLY REVISION LEVEL
3	CAVITY MOLD N°
2	MATERIAL
1	SUPPLIER ACRONYM (INCLUDING MANUF. PLANT ID)

ID.	QTY	DESIGNATION	M/N	COLOR	MATERIAL
A	1	SCC PIN CONN UNSEALED 15 10CKT	0988230024	YELLOW	PBT
			0988231020	WHITE	
			0988230011	BLACK	PBT
			0988230015	GREEN	
			0988230016	BLUE	
			0988230018	GREY	

CODING SHOWN : 0988231018 GREY



DM UPDATED EC NO: G2014-0222 DRW/APLESSIS 2014/05/07 CHK/D.BARRETO 2014/05/07 APPR/APLESSIS 2014/05/14	GENERAL TOLERANCES (UNLESS SPECIFIED)	DIMENSION STYLE	SCALE	DESIGN UNITS	FIRST ANGLE PROJECTION
	4 PLACES ± --- ± --- 3 PLACES ± --- ± --- 2 PLACES ± 0.05 ± --- 1 PLACE ± 0.1 ± --- 0 PLACE ± ± ---	MM ONLY	4:1	METRIC	
	DRAWN BY: PBOSSQUAIN CHECKED BY: JDUCLLOS APPROVED BY: LSTICKEIR DATE: 2006/12/18 DATE: 2006/12/18 DATE: 2006/12/18	TITLE	NSCC PIN CONN UNSEALED 15 10CKT		
	MATERIAL NO. SEE CHART DRAFT WHERE APPLICABLE MUST REMAIN WITHIN DIMENSIONS SIZE: THIS DRAWING CONTAINS INFORMATION THAT IS PROPRIETARY TO MOLEX INCORPORATED AND SHOULD NOT BE USED WITHOUT WRITTEN PERMISSION	DOCUMENT NO.	SD-98823-001		