



Chipsmall Limited consists of a professional team with an average of over 10 year of expertise in the distribution of electronic components. Based in Hongkong, we have already established firm and mutual-benefit business relationships with customers from,Europe,America and south Asia,supplying obsolete and hard-to-find components to meet their specific needs.

With the principle of “Quality Parts,Customers Priority,Honest Operation,and Considerate Service”,our business mainly focus on the distribution of electronic components. Line cards we deal with include Microchip,ALPS,ROHM,Xilinx,Pulse,ON,Everlight and Freescale. Main products comprise IC,Modules,Potentiometer,IC Socket,Relay,Connector.Our parts cover such applications as commercial,industrial, and automotives areas.

We are looking forward to setting up business relationship with you and hope to provide you with the best service and solution. Let us make a better world for our industry!



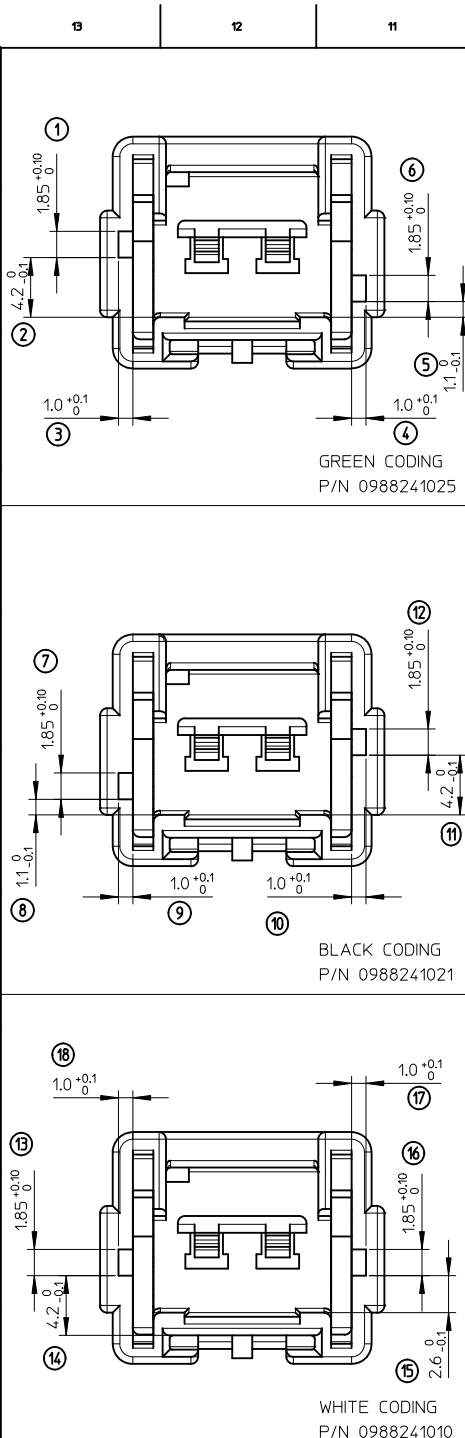
Contact us

Tel: +86-755-8981 8866 Fax: +86-755-8427 6832

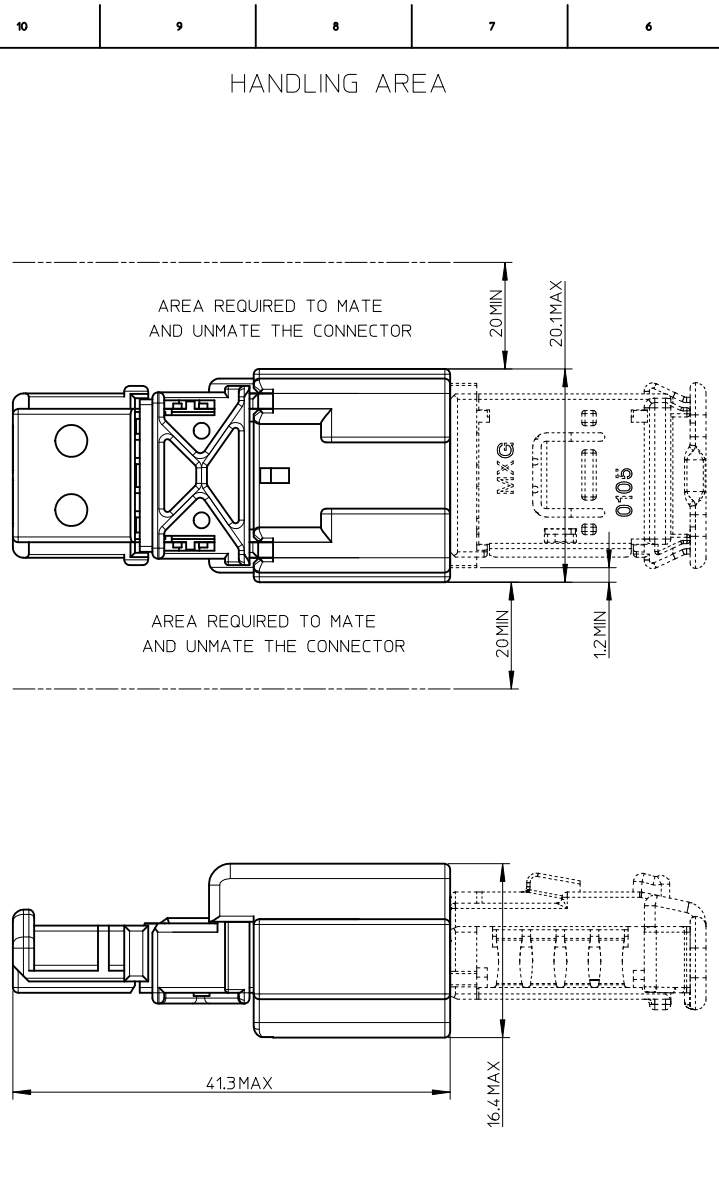
Email & Skype: info@chipsmall.com Web: www.chipsmall.com

Address: A1208, Overseas Decoration Building, #122 Zhenhua RD., Futian, Shenzhen, China



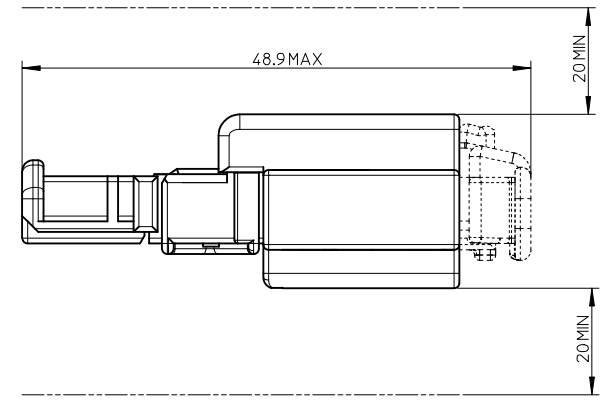


CODING 4:1

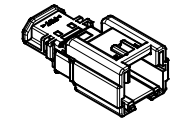
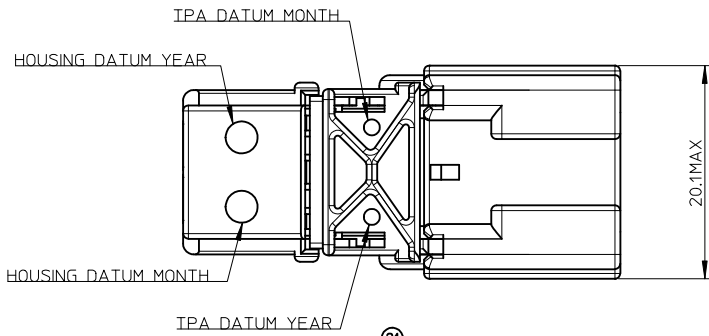


- NOTE : 1 - The using conditions of the hinge are showed in the MOLEX specification n°AS-98821-001.
- 2 - Male terminal used : SICMA3 2.8mm
- 3 - Female connector will mate with male connector P/N 09881910xx

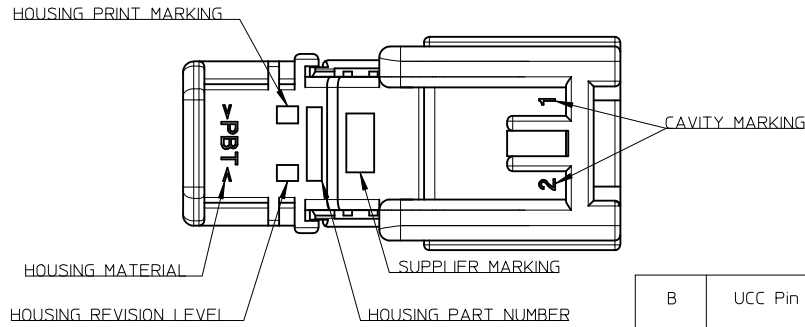
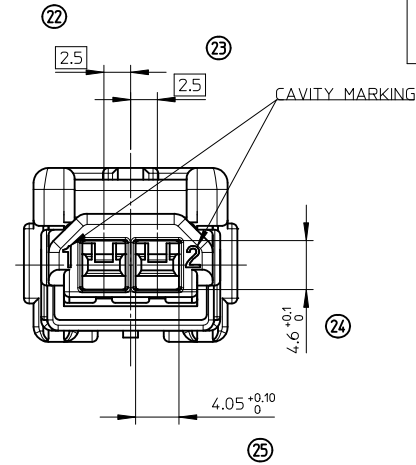
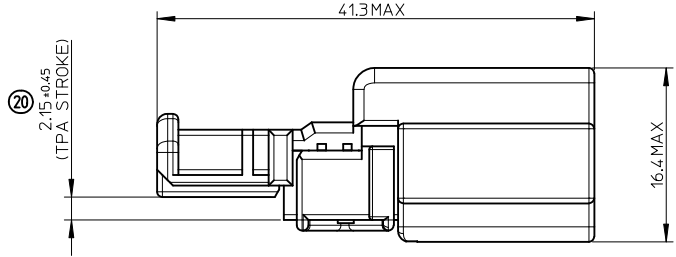
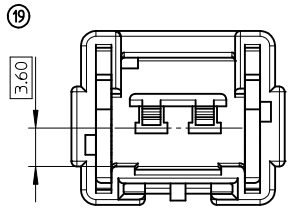
AREA REQUIRED WHEN THE CONNECTOR IS MATED



FIRST RELEASE EC NO: G2010-0051 DRWNL:POUCHAUD 2009/03/04 CHKCD:JOUCLOS 2010/07/07 APPR:OPLESSIS 2010/09/02	QUALITY SYMBOLS 	GENERAL TOLERANCES (UNLESS SPECIFIED)		DIMENSION STYLE MM ONLY	SCALE 3:1	DESIGN UNITS METRIC	THIRD ANGLE PROJECTION	
		4 PLACES ± --- ± ---	mm INCH	DRAWN BY VLOUVANCOUR	DATE 2008/12/02	TITLE UCC PIN CONN UNSEALED W/ 2CKT		
		3 PLACES ± --- ± ---	± 0.05 ± ---	CHECKED BY YIGEL	DATE 2008/12/03	MATERIAL NO. SD-98824-002		
		2 PLACES ± 0.1 ± ---	± 0.1 ± ---	APPROVED BY JOUCLOS	DATE 2008/12/04	DOCUMENT NO. SD-98824-002		
1 PLACE ± 0.1 ± ---		ANGULAR ± 1 °		DRAFT WHERE APPLICABLE MUST REMAIN WITHIN DIMENSIONS		SHEET NO. 1 OF 2		
SEE CHART				THIS DRAWING CONTAINS INFORMATION THAT IS PROPRIETARY TO MOLEX INCORPORATED AND SHOULD NOT BE USED WITHOUT WRITTEN PERMISSION				



1:1



BLACK CODING (P/N 0988241021) IS SHOWN.

B	UCC Pin Conn Blue TPA 2Ckt	0988240026	Blue	POLYAMIDE (PA 6.6 20%FG)	0.577 g															
A	UCC Pin Conn 2.8 2Ckt	0988240025	Green	POLYESTER (PBT)	4.627 g															
		0988240021	Black																	
		0988240010	White																	
Item	Description	Part-Number	Color	Raw Material	Weight effective															
FIRST RELEASE EC NO: G2010-0051 DRAWN: POUCHAUD 2009/03/04 CHKD: JUCLOS 2010/07/07 APPR: OPLESSIS 2010/09/02		QUALITY SYMBOLS ▽=0 ▽=0		GENERAL TOLERANCES (UNLESS SPECIFIED) <table border="1"> <tr> <th></th> <th>mm</th> <th>INCH</th> </tr> <tr> <td>4 PLACES</td> <td>± 0.15</td> <td>± 0.006</td> </tr> <tr> <td>3 PLACES</td> <td>± 0.10</td> <td>± 0.004</td> </tr> <tr> <td>2 PLACES</td> <td>± 0.05</td> <td>± 0.002</td> </tr> <tr> <td>1 PLACE</td> <td>± 0.1</td> <td>± 0.004</td> </tr> </table>			mm	INCH	4 PLACES	± 0.15	± 0.006	3 PLACES	± 0.10	± 0.004	2 PLACES	± 0.05	± 0.002	1 PLACE	± 0.1	± 0.004
	mm	INCH																		
4 PLACES	± 0.15	± 0.006																		
3 PLACES	± 0.10	± 0.004																		
2 PLACES	± 0.05	± 0.002																		
1 PLACE	± 0.1	± 0.004																		
DIMENSION STYLE MM ONLY		SCALE 4:1		DESIGN UNITS METRIC																
DRAWN BY VLOUVANCOUR		DATE 2008/12/02		TITLE UCC PIN CONN UNSEALED W/ 2CKT																
CHECKED BY YIGEL		DATE 2008/12/03		APPROVED BY JUCLOS																
MATERIAL NO. SEE CHART		DATE 2008/12/04		MOLEX INCORPORATED																
SIZE A 2		THIS DRAWING CONTAINS INFORMATION THAT IS PROPRIETARY TO MOLEX INCORPORATED AND SHOULD NOT BE USED WITHOUT WRITTEN PERMISSION		DOCUMENT NO. SD-98824-002																
DRAFT WHERE APPLICABLE MUST REMAIN WITHIN DIMENSIONS		ANGULAR ± 1°		SHEET NO. 2 OF 2																