



Chipsmall Limited consists of a professional team with an average of over 10 year of expertise in the distribution of electronic components. Based in Hongkong, we have already established firm and mutual-benefit business relationships with customers from,Europe,America and south Asia,supplying obsolete and hard-to-find components to meet their specific needs.

With the principle of "Quality Parts,Customers Priority,Honest Operation,and Considerate Service",our business mainly focus on the distribution of electronic components. Line cards we deal with include Microchip,ALPS,ROHM,Xilinx,Pulse,ON,Everlight and Freescale. Main products comprise IC,Modules,Potentiometer,IC Socket,Relay,Connector.Our parts cover such applications as commercial,industrial, and automotives areas.

We are looking forward to setting up business relationship with you and hope to provide you with the best service and solution. Let us make a better world for our industry!



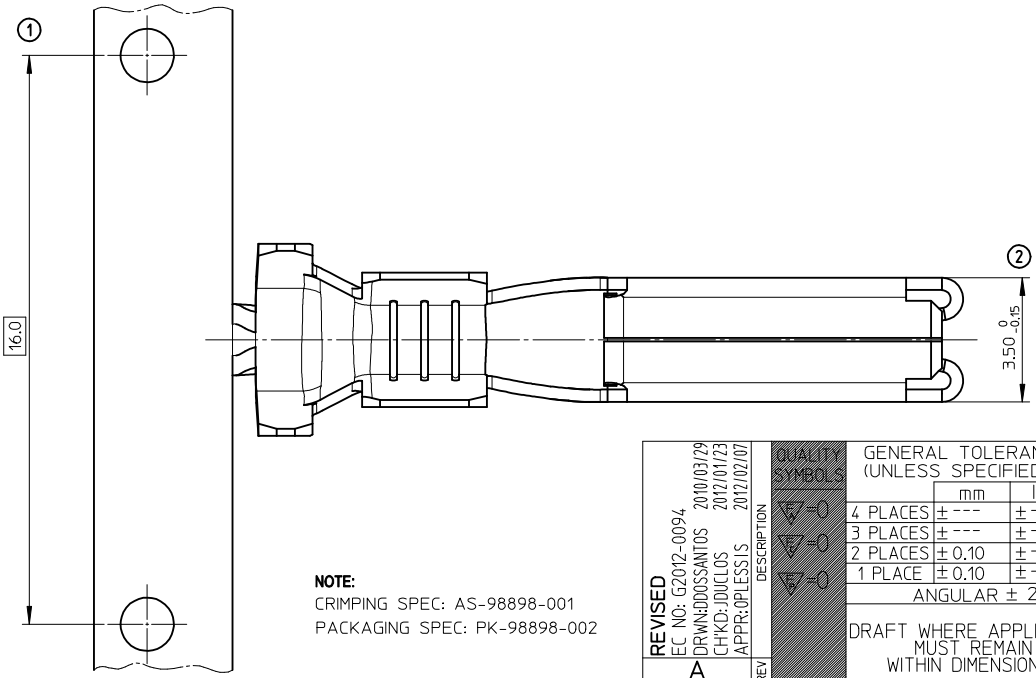
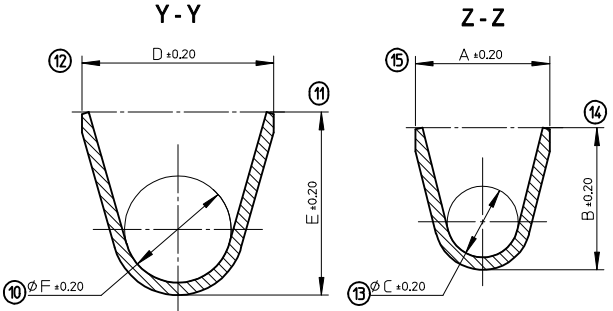
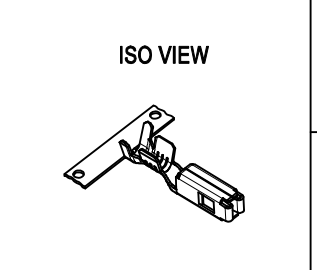
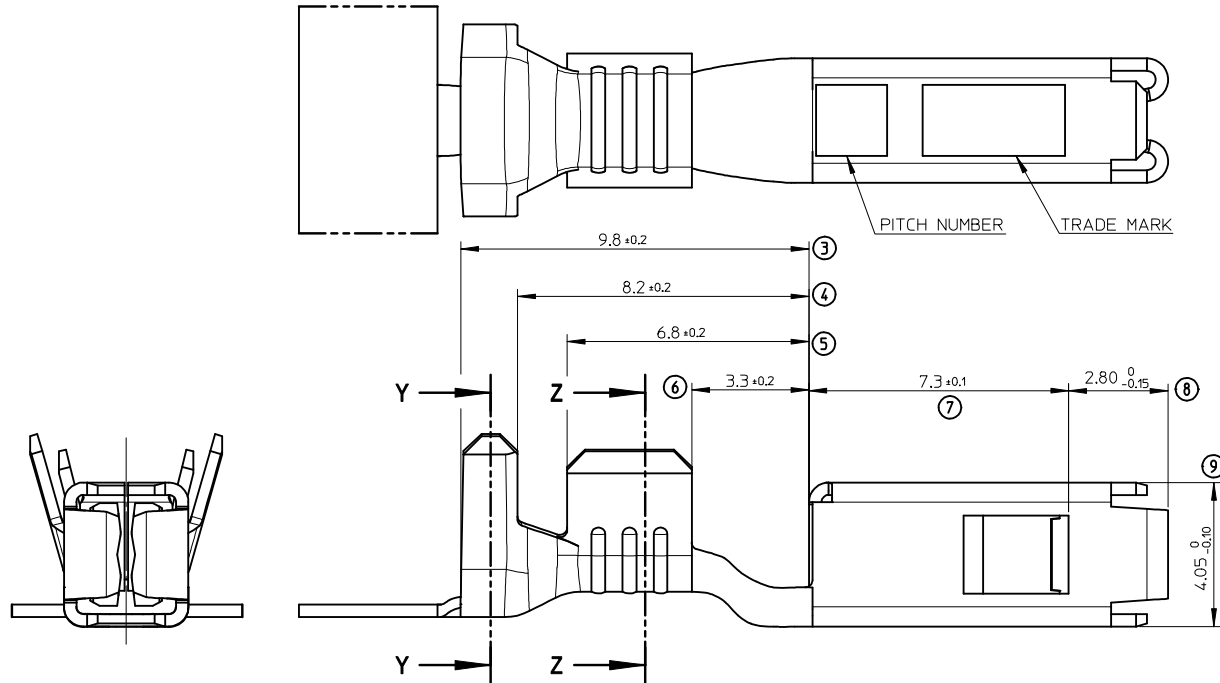
Contact us

Tel: +86-755-8981 8866 Fax: +86-755-8427 6832

Email & Skype: info@chipsmall.com Web: www.chipsmall.com

Address: A1208, Overseas Decoration Building, #122 Zhenhua RD., Futian, Shenzhen, China





NOTE:
 CRIMPING SPEC: AS-98898-001
 PACKAGING SPEC: PK-98898-002

SPECIFICATIONS			
GRIP CODE	S	M	L
SECTION MM2	0.35 TO 0.75	1 TO 2.5	3 TO 5
MOLEX PART NUMBER (P/N*)	0988981029	0988981039	0988981049
PLATING	Pre-plated 2μ Sn min.		
MATERIAL	HIGH COPPER		
PART WEIGHT (g)	0.737	0.794	0.814
THICKNESS	0.35		
A	2.55	3.80	4.70
B	2.60	4.00	4.95
Ø C	1.20	2.00	2.00
D	3.85	5.40	6.35
E	4.00	5.15	6.60
Ø F	2.30	3.00	3.30

REVISED EC NO: G2012-0094 DRWN:DDSSANTOS 2010/03/29 CHKD:DJUCLOS 2012/01/23 APPR:OPLESSIS 2012/02/07 A	QUALITY SYMBOLS 4 PLACES ± --- ± --- 3 PLACES ± --- ± --- 2 PLACES ± 0.10 ± --- 1 PLACE ± 0.10 ± --- ANGULAR ± 2 °	GENERAL TOLERANCES (UNLESS SPECIFIED)		DIMENSION STYLE MM ONLY	SCALE 10:1	DESIGN UNITS METRIC	FIRST ANGLE PROJECTION	
		DRAWN BY DATE G. DESBRUERES 2009/11/17		TITLE UCC2 RCPT TERMINAL 2.8		MOLEX INCORPORATED		
		CHECKED BY DATE D. DOS SANTOS 2009/11/17		APPROVED BY DATE OPLESSIS 2012/02/07		MATERIAL NO.	DOCUMENT NO. SD-98898-100	SHEET NO. 1 OF 1
		DRAFT WHERE APPLICABLE MUST REMAIN WITHIN DIMENSIONS						