



Chipsmall Limited consists of a professional team with an average of over 10 year of expertise in the distribution of electronic components. Based in Hongkong, we have already established firm and mutual-benefit business relationships with customers from,Europe,America and south Asia,supplying obsolete and hard-to-find components to meet their specific needs.

With the principle of “Quality Parts,Customers Priority,Honest Operation,and Considerate Service”,our business mainly focus on the distribution of electronic components. Line cards we deal with include Microchip,ALPS,ROHM,Xilinx,Pulse,ON,Everlight and Freescale. Main products comprise IC,Modules,Potentiometer,IC Socket,Relay,Connector.Our parts cover such applications as commercial,industrial, and automotives areas.

We are looking forward to setting up business relationship with you and hope to provide you with the best service and solution. Let us make a better world for our industry!



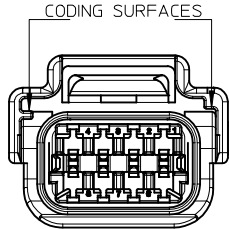
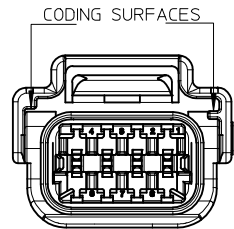
Contact us

Tel: +86-755-8981 8866 Fax: +86-755-8427 6832

Email & Skype: info@chipsmall.com Web: www.chipsmall.com

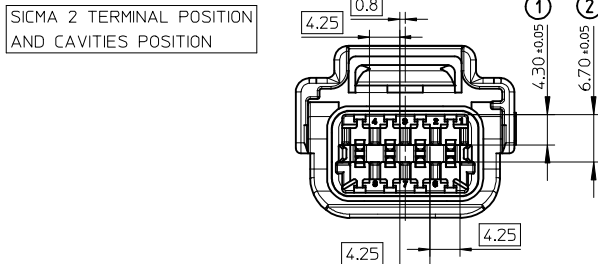
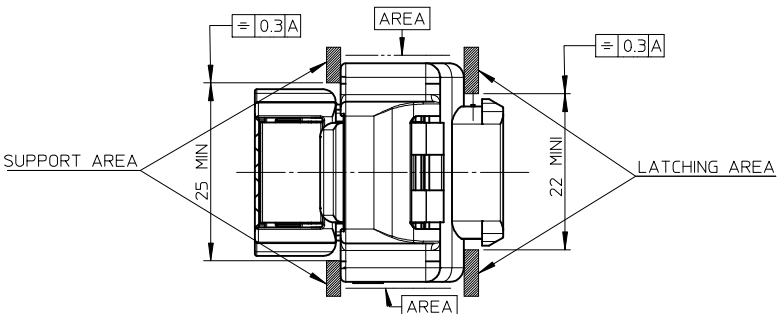
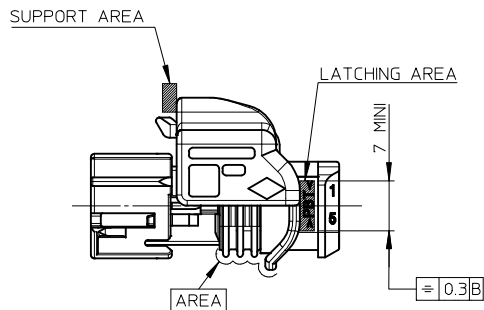
Address: A1208, Overseas Decoration Building, #122 Zhenhua RD., Futian, Shenzhen, China



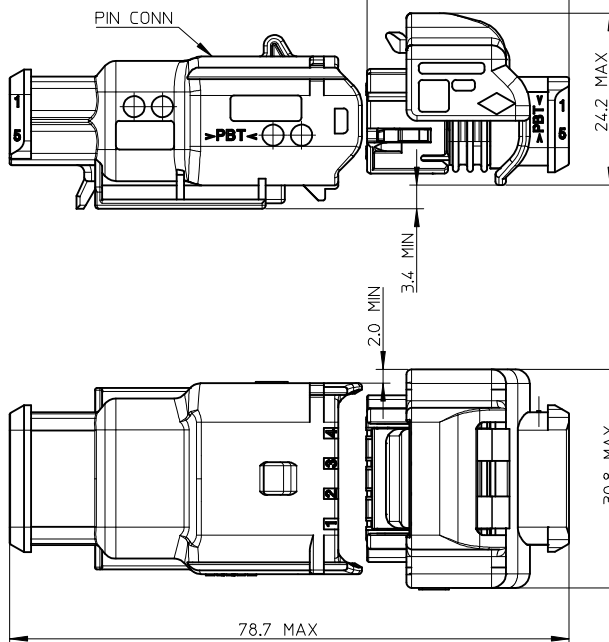


2	GREY	SICMA RCPT CONN SLD W/ 1.5 GRY 8CKT	0987881088
1	BLACK	SICMA RCPT CONN SLD W/ 1.5 BLK 8CKT	0987881081
CODING	COLOR	DESCRIPTION	MATERIAL NUMBER

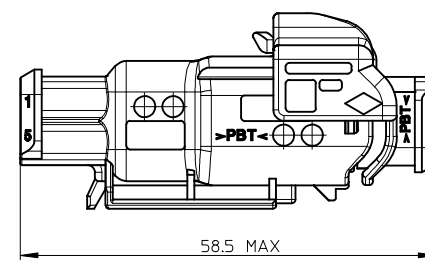
WIRE INTERFACE SUPPORT



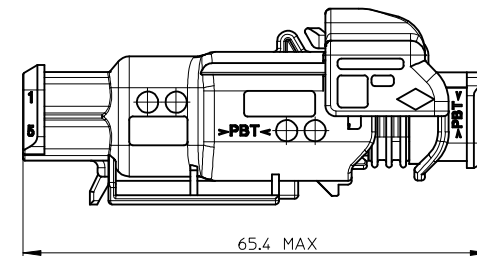
MATING / UNMATING OVERALL DIMENSIONS



OVERALL DIMENSION AFTER LOCKING



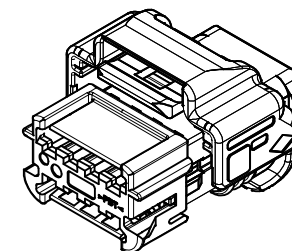
OVERALL DIMENSION BEFORE LOCKING



NOTES:

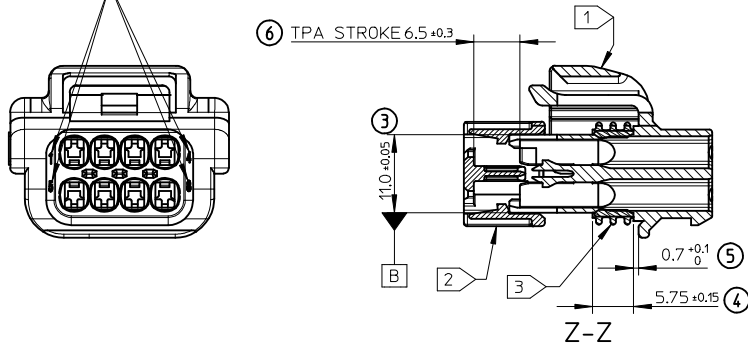
1. MATERIALS: SEE CHART
2. FINISHES: N/A
3. PRODUCT SPECIFICATION: AS-98788-001
4. PACKAGING INFORMATION: PK-98788-001
5. MATES WITH: 0987891081(BLACK), 0987891088(GREY)
6. WIRE OUTSIDE Ø: 1.25mm<Ø<2.4mm
7. CONNECTOR TIGHTENING STRENGTH ON WIRING INTERFACE:
 - 200 TO 250 N WITH PUSH TEST
 - 50 TO 250 WITHOUT PUSH TEST
8. AREAS SHOWN AS: AREA
 - DO NOT LOCK WIRING INTERFACE
 - DO NOT DAMAGE THE PART

ISOMETRIC VIEW

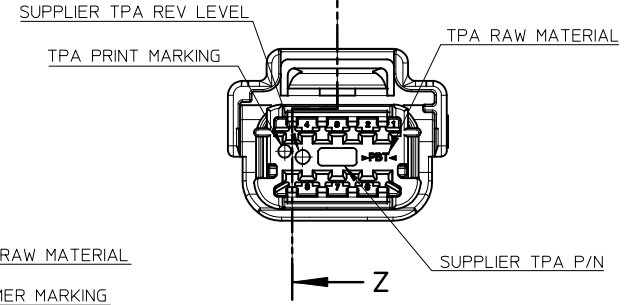
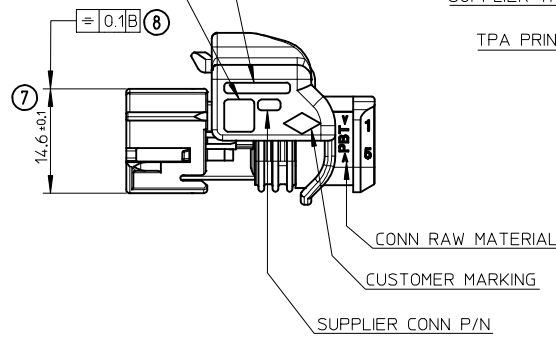


MARKING EC NO: G2014-0207 DRN: AHERBEL IN 2014/03/27 CHK: DJUCLOS 2014/03/27 APPR: OPLESSIS 2014/04/15	QUALITY SYMBOLS ∇=0 ∇=0 ∇=0	GENERAL TOLERANCES (UNLESS SPECIFIED) mm INCH		DIMENSION STYLE MM ONLY	SCALE 2:1	DESIGN UNITS METRIC	FIRST ANGLE PROJECTION
		4 PLACES ± --- ± --- 3 PLACES ± --- ± --- 2 PLACES ± --- ± --- 1 PLACE ± 0.2 ± --- 0 PLACE ± --- ± ---	DRAWN BY VLOUVANCOUR	DATE 2007/08/02	TITLE SICMA RCPT CONN SLD W/ 1.5 8CKT		
ANGULAR ± 2 ° DRAFT WHERE APPLICABLE MUST REMAIN WITHIN DIMENSIONS	CHECKED BY YIGEL	DATE 2007/08/02	APPROVED BY LSTICKEIR	DATE 2007/08/02	MATERIAL NO. SD-98788-004		
THIS DRAWING CONTAINS INFORMATION THAT IS PROPRIETARY TO MOLEX INCORPORATED AND SHOULD NOT BE USED WITHOUT WRITTEN PERMISSION							

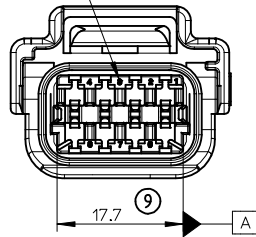
CAVITY MARKING



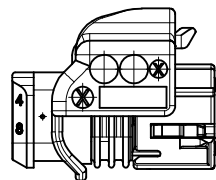
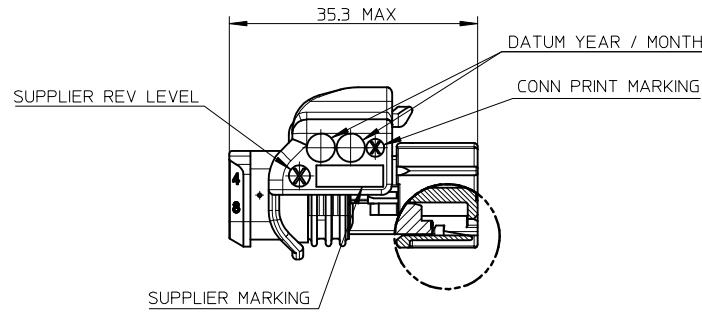
CUSTOMER MARKING
CUSTOMER LOGO



CAVITY MARKING



VIEW WITHOUT TPA



VIEW WITH TPA LOCKED

3	1	Piece	SICMA RCPT CONN SLD 8CKT	0987880186	SILICONE	0.545g
2	1	Piece	SICMA RCPT CONN TPA YEL 8CKT	0987880094	PBT POLYESTER UF UL94HB	1.310g
1	1	Piece	SICMA RCPT CONN 15 GRY 8CKT	0987880088		6.070g
			SICMA RCPT CONN 15 BLK 8CKT	0987880081		
Item	Amount	Unit	Description	Material-Number	Material	Weight Calculated

MARKING EC NO: G2014-0207 DRAWN: AHERBEL IN 2014/03/27 CHKD: IDUCLOS 2014/03/27 APPR: OPLESSIS 2014/04/15	QUALITY SYMBOLS	GENERAL TOLERANCES (UNLESS SPECIFIED)	DIMENSION STYLE MM ONLY	SCALE 2:1	DESIGN UNITS METRIC	FIRST ANGLE PROJECTION
	▽=0	mm INCH	DRAWN BY DATE VLOUVANCOUR 2007/08/02	TITLE	SICMA RCPT CONN SLD W/ 15 8CKT	
	▽=0	4 PLACES ± --- ± ---	CHECKED BY DATE YIGEL 2007/08/02			
	▽=0	3 PLACES ± --- ± ---	APPROVED BY DATE LSTICKEIR 2007/08/02	MATERIAL NO.	DOCUMENT NO.	SHEET NO.
	2 PLACES ± --- ± ---	DRAFT WHERE APPLICABLE MUST REMAIN WITHIN DIMENSIONS	SEE SHEET 1	SD-98788-004	2 OF 2	
	1 PLACE ± 0.2 ± ---		THIS DRAWING CONTAINS INFORMATION THAT IS PROPRIETARY TO MOLEX INCORPORATED AND SHOULD NOT BE USED WITHOUT WRITTEN PERMISSION			
	0 PLACE ± --- ± ---					