



Chipsmall Limited consists of a professional team with an average of over 10 year of expertise in the distribution of electronic components. Based in Hongkong, we have already established firm and mutual-benefit business relationships with customers from,Europe,America and south Asia,supplying obsolete and hard-to-find components to meet their specific needs.

With the principle of "Quality Parts,Customers Priority,Honest Operation,and Considerate Service",our business mainly focus on the distribution of electronic components. Line cards we deal with include Microchip,ALPS,ROHM,Xilinx,Pulse,ON,Everlight and Freescale. Main products comprise IC,Modules,Potentiometer,IC Socket,Relay,Connector.Our parts cover such applications as commercial,industrial, and automotives areas.

We are looking forward to setting up business relationship with you and hope to provide you with the best service and solution. Let us make a better world for our industry!



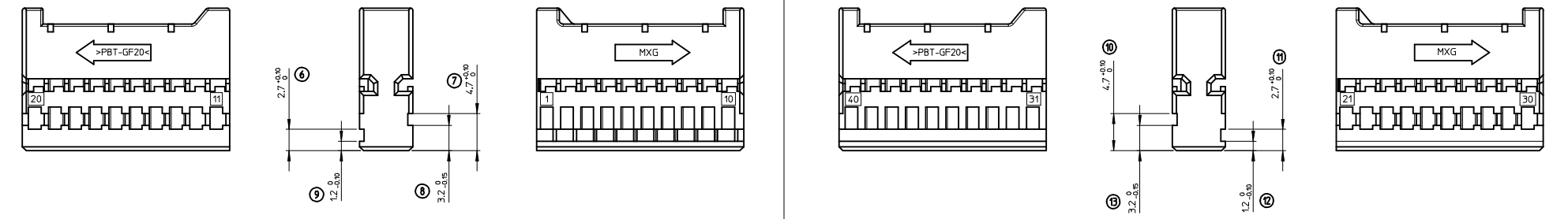
Contact us

Tel: +86-755-8981 8866 Fax: +86-755-8427 6832

Email & Skype: info@chipsmall.com Web: www.chipsmall.com

Address: A1208, Overseas Decoration Building, #122 Zhenhua RD., Futian, Shenzhen, China

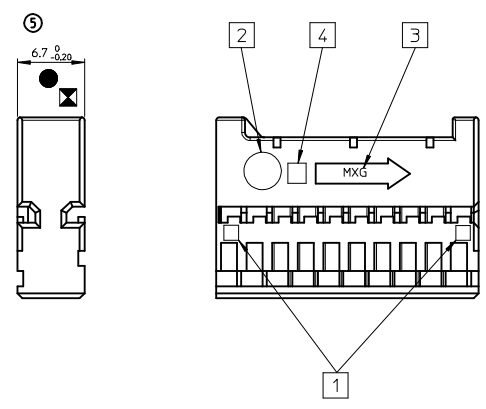
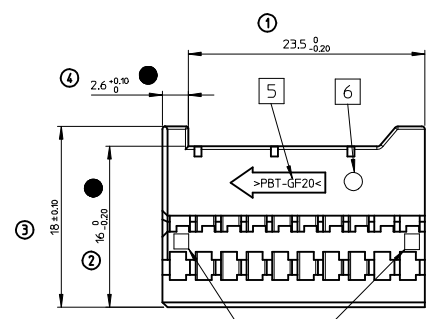
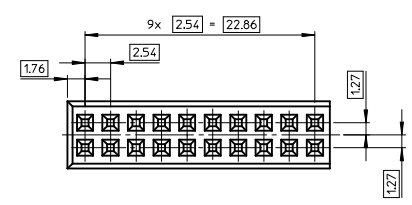




MOLEX P/N : 0989821016 DESCRIPTION : MOX Rcpt Module 0.635 Blu 20ckt COLOR : BLUE MOLEX P/N : 0989821010 DESCRIPTION : MOX Rcpt Module 0.635 Wht 20ckt COLOR : WHITE

MATERIAL : >PBT-GF20<

WEIGHT : 1.622 g



- FOR ILLUSTRATION PURPOSE, THE MOX RCPT MODULE SHOWN IS THE BLUE CODING P/N 0989821016. SEE CODING CHART FOR OTHER COLOR VERSION.

- PRODUCT QUALIFIED ACCORDING TO PSA STANDARD: 9629764699A.

- APPLICATION SPECIFICATION: RAS-98982-001

- INTERFACE DRAWING IS THE PROPERTY FROM PSA: 9633297199.

- USE WITH MOX TERMINAL FOLLOWING SD-98658-004.

- THESE MODULES FIT INTO MOX MOUNTING HOUSING RECEPTACLE 40CKT P/N :

- 0989821020
- 0989821021
- 0989821026
- 0989821028



1:1

MARKING :

- 1 - CAVITY NUMBER
- 2 - DATUM MONTH/YEAR
- 3 - MOLEX MARK
- 4 - IMPRESSION MARK
- 5 - RAW MATERIAL
- 6 - REVISION LEVEL

INDICATION DIMENSIONS S.P.C DENOTES S.P.C DIMENSIONS
 INDICATION DIMENSIONS CRITIQUES DENOTES CRITICAL DIMENSIONS
 INDICATION DIMENSIONS FONCTIONNELLES DENOTES FUNCTIONAL DIMENSIONS
 QUANTITE PAR FEUILLE INDIVIDUELLE QUANTITY PER INDIVIDUAL SHEET
 1 0 3

FIRST RELEASE EC NO: GZ008-0096 DRAWN: POUCHAUD 2007/10/15 CHKD: YIGEL 2007/10/15 APPR: LSTICKEIR 2007/10/15	QUALITY SYMBOLS = 0 = 0	GENERAL TOLERANCES (UNLESS SPECIFIED) <table border="1"> <tr> <th></th> <th>mm</th> <th>INCH</th> </tr> <tr> <td>4 PLACES</td> <td>± ---</td> <td>± ---</td> </tr> <tr> <td>3 PLACES</td> <td>± ---</td> <td>± ---</td> </tr> <tr> <td>2 PLACES</td> <td>± 0.05</td> <td>± ---</td> </tr> <tr> <td>1 PLACE</td> <td>± 0.10</td> <td>± ---</td> </tr> </table> ANGULAR ± 2 °		mm	INCH	4 PLACES	± ---	± ---	3 PLACES	± ---	± ---	2 PLACES	± 0.05	± ---	1 PLACE	± 0.10	± ---	DIMENSION STYLE MM ONLY	SCALE 4:1	DESIGN UNITS METRIC	THIRD ANGLE PROJECTION
		mm	INCH																		
	4 PLACES	± ---	± ---																		
	3 PLACES	± ---	± ---																		
2 PLACES	± 0.05	± ---																			
1 PLACE	± 0.10	± ---																			
DRAWN BY POUCHAUD 2007/09/07	DATE 2007/09/07	TITLE MOX RCPT MODULE 20CKT																			
CHECKED BY YIGEL 2007/09/07	DATE 2007/09/07																				
APPROVED BY LSTICKEIR 2007/09/10	DATE 2007/09/10																				
MATERIAL NO.		SEE CHART		DOCUMENT NO. SD-98982-001	SHEET NO. 1 OF 1																
THIS DRAWING CONTAINS INFORMATION THAT IS PROPRIETARY TO MOLEX INCORPORATED AND SHOULD NOT BE USED WITHOUT WRITTEN PERMISSION																					