



Chipsmall Limited consists of a professional team with an average of over 10 year of expertise in the distribution of electronic components. Based in Hongkong, we have already established firm and mutual-benefit business relationships with customers from,Europe,America and south Asia,supplying obsolete and hard-to-find components to meet their specific needs.

With the principle of "Quality Parts,Customers Priority,Honest Operation,and Considerate Service",our business mainly focus on the distribution of electronic components. Line cards we deal with include Microchip,ALPS,ROHM,Xilinx,Pulse,ON,Everlight and Freescale. Main products comprise IC,Modules,Potentiometer,IC Socket,Relay,Connector.Our parts cover such applications as commercial,industrial, and automotives areas.

We are looking forward to setting up business relationship with you and hope to provide you with the best service and solution. Let us make a better world for our industry!



Contact us

Tel: +86-755-8981 8866 Fax: +86-755-8427 6832

Email & Skype: info@chipsmall.com Web: www.chipsmall.com

Address: A1208, Overseas Decoration Building, #122 Zhenhua RD., Futian, Shenzhen, China





LEAF HINGE - VERSION 7, 8, 9, 10



Hinge Rotation Angle



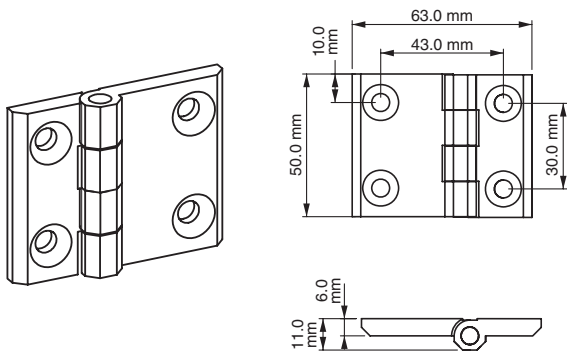
Specifications

- Material:
Body: Zinc Alloy (Zamak) DIN-EN 1774-ZnAl4Cu1
Pin: Stainless Steel
- Maximum hinge rotation 270°
- Available in three sizes, hole or stud installation:
- 50 mm x 50 mm
- 50 mm x 63 mm
- 50 mm x 76 mm

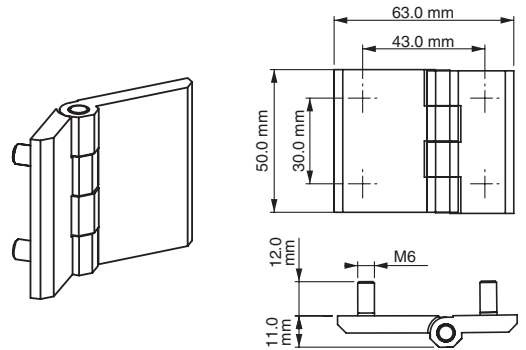
Features

- Generally used for plain / flush-mounted doors
- Stud versions fitted with M6 x 12 mm threaded stud
- Stainless steel (AISI 304) hinge pin
- Applications: Electric panels, built-in covers

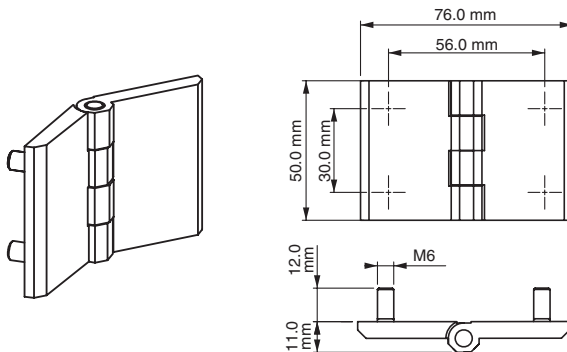
Version 7



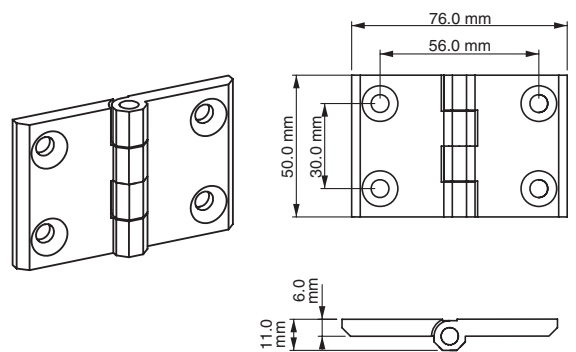
Version 8



Version 9



Version 10



Item Number	Hinge Rotation	Material	Finish	Version
099-1-1-10	270°	Zinc Alloy	Chrome	10
099-1-1-7	270°	Zinc Alloy	Chrome	7
099-1-1-8	270°	Zinc Alloy	Chrome	8
099-1-1-9	270°	Zinc Alloy	Chrome	9
099-1-2-10	270°	Zinc Alloy	Black	10
099-1-2-7	270°	Zinc Alloy	Black	7
099-1-2-8	270°	Zinc Alloy	Black	8
099-1-2-9	270°	Zinc Alloy	Black	9