



Chipsmall Limited consists of a professional team with an average of over 10 year of expertise in the distribution of electronic components. Based in Hongkong, we have already established firm and mutual-benefit business relationships with customers from,Europe,America and south Asia,supplying obsolete and hard-to-find components to meet their specific needs.

With the principle of “Quality Parts,Customers Priority,Honest Operation,and Considerate Service”,our business mainly focus on the distribution of electronic components. Line cards we deal with include Microchip,ALPS,ROHM,Xilinx,Pulse,ON,Everlight and Freescale. Main products comprise IC,Modules,Potentiometer,IC Socket,Relay,Connector.Our parts cover such applications as commercial,industrial, and automotives areas.

We are looking forward to setting up business relationship with you and hope to provide you with the best service and solution. Let us make a better world for our industry!



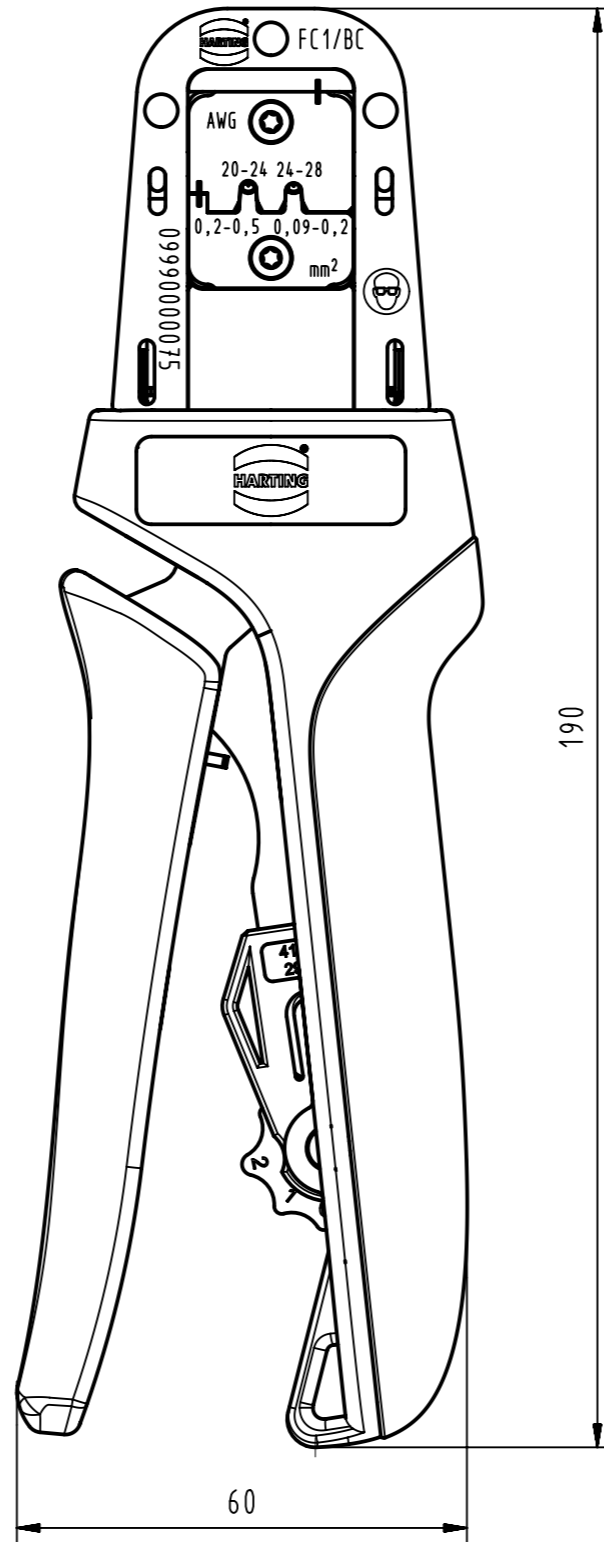
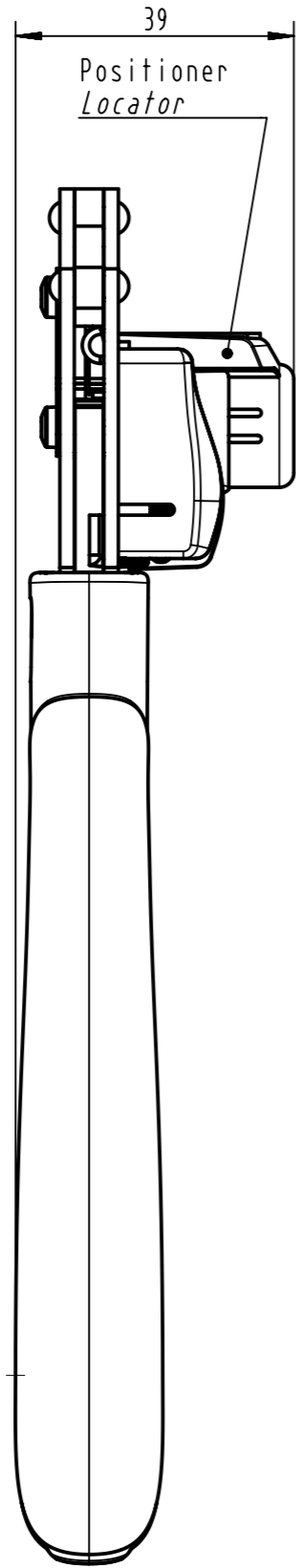
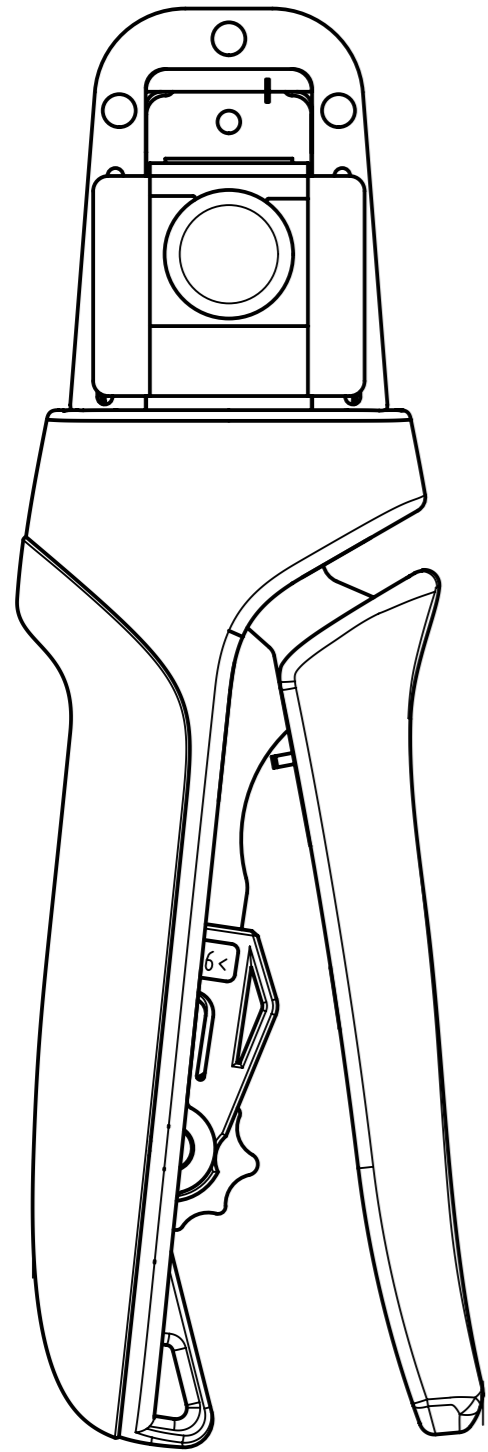
Contact us

Tel: +86-755-8981 8866 Fax: +86-755-8427 6832

Email & Skype: info@chipsmall.com Web: www.chipsmall.com

Address: A1208, Overseas Decoration Building, #122 Zhenhua RD., Futian, Shenzhen, China



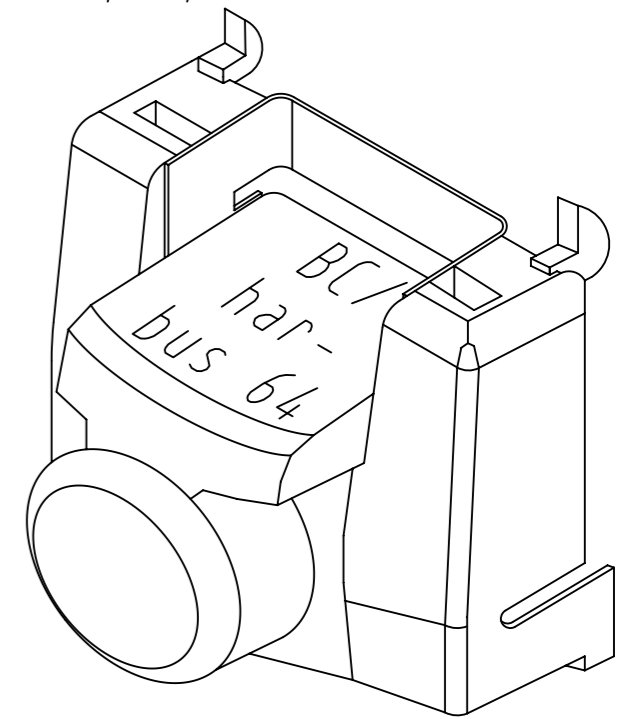
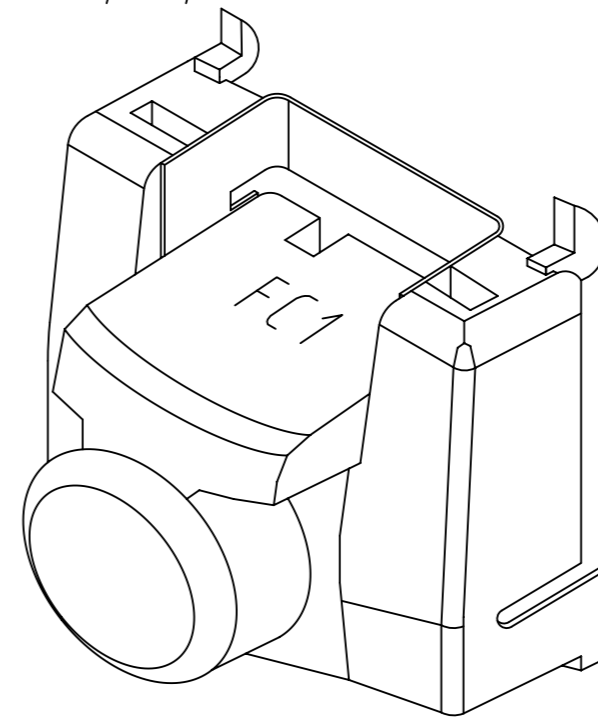


Positionierer FC1 im Set enthalten.
Ersatzteil-Nr. 09 99 000 0641

Locator FC1 scope of delivery.
Spare part no. 09 99 000 0641

Positionierer BC im Set enthalten.
Ersatzteil-Nr. 09 99 000 0640

Locator BC scope of delivery.
Spare part no. 09 99 000 0640



Anwendungsbereich: FC1/BC/har-bus64 Kontakte
Application range: FC1/BC/har-bus64 contacts

Leiterquerschnitt: Profil 1: 0,09-0,25 mm² (AWG 24-28)
wire gauge : Profil 2: 0,25-0,50 mm² (AWG 20-24)

für har-bus 64 Crimpkontakte: / for har-bus 64 crimp contacts:					
02 05 000 2513	Feder / female	2	0,09-0,5	28-20	0,7-1,5
02 05 000 1513	Feder / female	1	0,09-0,5	28-20	0,7-1,5
für BC Crimpkontakte: / for BC crimp contacts:					
09 02 000 8484	Feder / female	2	0,09-0,5	28-20	0,7-1,5
09 02 000 8474	Feder / female	1	0,09-0,5	28-20	0,7-1,5
für FC1 Crimpkontakte: / for FC1 crimp contacts:					
09 06 000 8484	Feder / female	2	0,09-0,25	28-24	0,7-1,5
09 06 000 8474	Feder / female	1	0,09-0,25	28-24	0,7-1,5
Kontakt Nr. contact no.	Messer / Feder male / female	AFS PL	Leiterquerschnitt wire gauge	AWG AWG	Isolationsø Insulationø

Linearer Hub
Straight action principle
Entriegelbare Zwangssperre
Ratchet release

Präzise geschliffene Profile
Precisely ground profiles
Gewicht ca. 350 g
Weight approx. 350 g

Kontaktpositionierung mit Positionierer
Contact positioning with locator

	All Dimensions in mm Original Size DIN A3		Scale 1:1	Free size tol.		Ref. Sub.	
	All rights reserved Department EC PD - DE		Created by WAERMKER	Inspected by HAERTLING	Standardisation KOHLER	Date 2012-10-08	State Final Release
HARTING Electronics GmbH D-32339 Espelkamp		Title CRIMP-TOOL -FC 1/ BC / HAR-BUS64				Doc-Key / ECH-Nr. 100073575/UGD/001/B	
		Type TB	Number 09990000075		Rev. B	Page 1/1	