



Chipsmall Limited consists of a professional team with an average of over 10 year of expertise in the distribution of electronic components. Based in Hongkong, we have already established firm and mutual-benefit business relationships with customers from,Europe,America and south Asia,supplying obsolete and hard-to-find components to meet their specific needs.

With the principle of “Quality Parts,Customers Priority,Honest Operation,and Considerate Service”,our business mainly focus on the distribution of electronic components. Line cards we deal with include Microchip,ALPS,ROHM,Xilinx,Pulse,ON,Everlight and Freescale. Main products comprise IC,Modules,Potentiometer,IC Socket,Relay,Connector.Our parts cover such applications as commercial,industrial, and automotives areas.

We are looking forward to setting up business relationship with you and hope to provide you with the best service and solution. Let us make a better world for our industry!



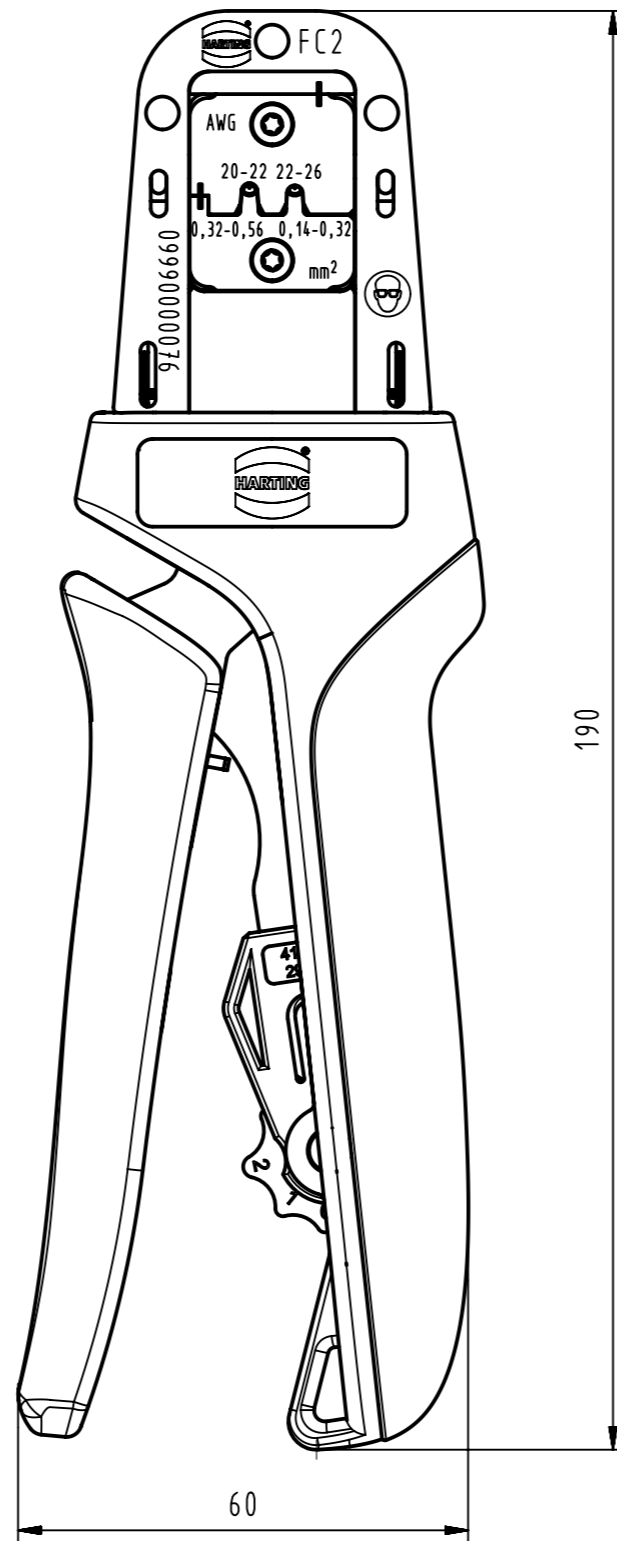
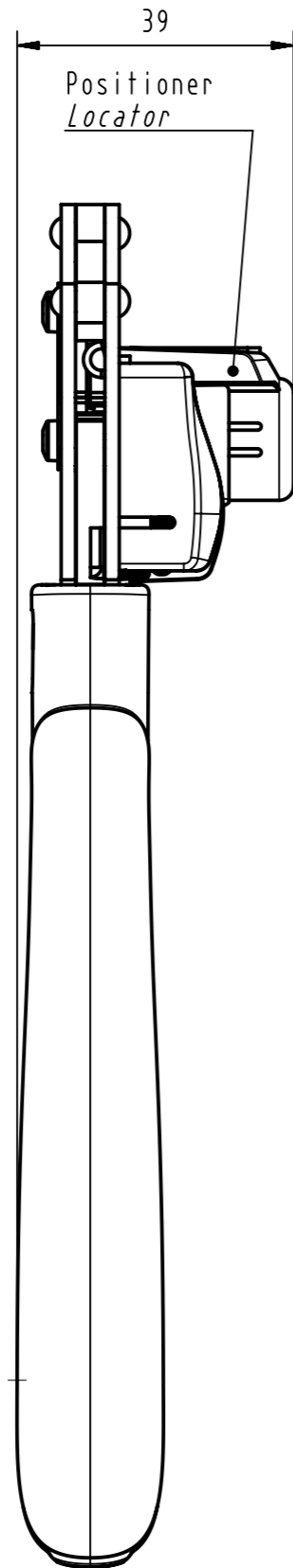
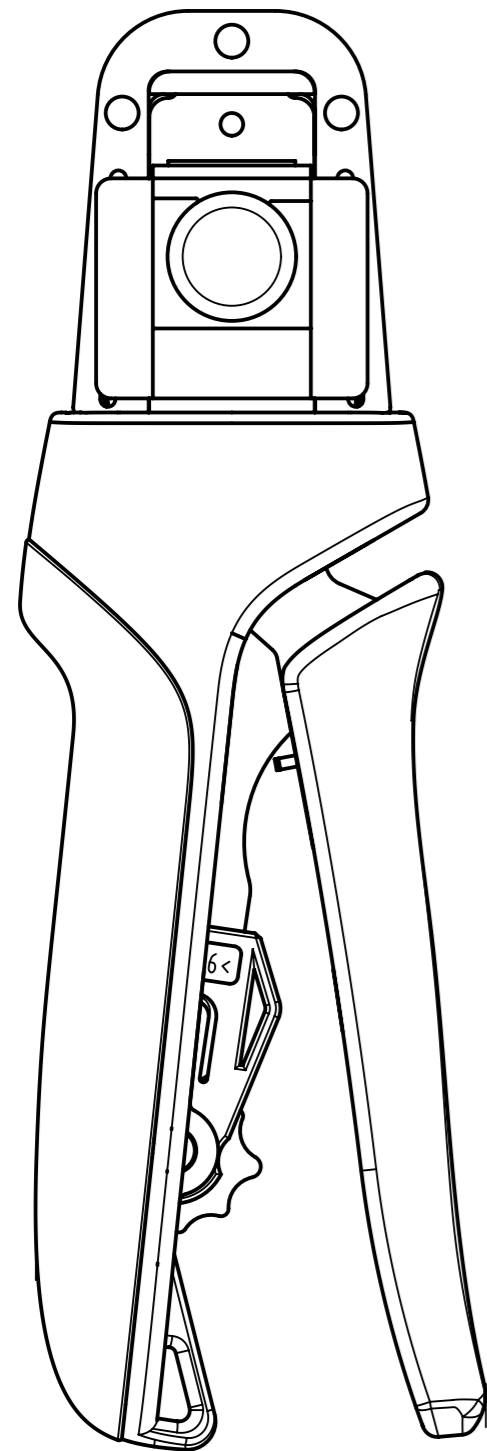
Contact us

Tel: +86-755-8981 8866 Fax: +86-755-8427 6832

Email & Skype: info@chipsmall.com Web: www.chipsmall.com

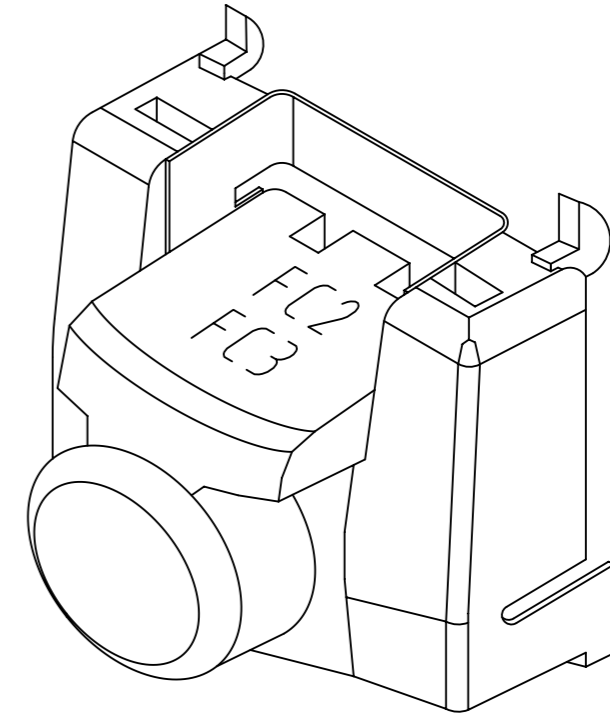
Address: A1208, Overseas Decoration Building, #122 Zhenhua RD., Futian, Shenzhen, China





Positionierer FC2-3 im Set enthalten.
Ersatzteil-Nr. 09 99 000 0642

Locator FC2-3 scope of delivery.
Spare part no. 09 99 000 0642



Anwendungsbereich: FC2 Kontakte
Application range: FC2 contacts

Leiterquerschnitt: Profil 1: 0,14-0,32 mm² (AWG 22-26)
wire gauge : Profil 2: 0,32-0,56 mm² (AWG 20-22)

für Crimpkontakte:
for crimp contacts:

09 06 000 8481	Feder / female	2	0,14-0,56	26-20	0,8-2,0
09 06 000 8471	Feder / female	1	0,14-0,56	26-20	0,8-2,0
Kontakt Nr. contact no.	Messer / Feder male / female	AFS PL	Leiterquerschnitt wire gauge	AWG AWG	Isolationsø Insulationø

Linearer Hub
Straight action principle

Enriegelbare Zwangssperre
Ratchet release

Kontaktpositionierung mit Positionierer
Contact positioning with locator

Präzise geschliffene Profile
Precisely ground profiles

Gewicht ca. 350 g
Weight approx. 350 g

	All Dimensions in mm Original Size DIN A3		Scale 1:1	Free size tol.		Ref. Sub.	
	All rights reserved		Created by WAERMKER	Inspected by HAERTLING	Standardisation KOHLER	Date 2012-10-08	State Final Release
Department EC PD - DE		Title CRIMP-TOOL FC 2				Doc-Key / ECH-Nr. 100073576/UGD/001/B	
HARTING Electronics GmbH D-32339 Espelkamp		Type TB	Number 09990000076			Rev. B	Page 1/1