



Chipsmall Limited consists of a professional team with an average of over 10 year of expertise in the distribution of electronic components. Based in Hongkong, we have already established firm and mutual-benefit business relationships with customers from,Europe,America and south Asia,supplying obsolete and hard-to-find components to meet their specific needs.

With the principle of “Quality Parts,Customers Priority,Honest Operation,and Considerate Service”,our business mainly focus on the distribution of electronic components. Line cards we deal with include Microchip,ALPS,ROHM,Xilinx,Pulse,ON,Everlight and Freescale. Main products comprise IC,Modules,Potentiometer,IC Socket,Relay,Connector.Our parts cover such applications as commercial,industrial, and automotives areas.

We are looking forward to setting up business relationship with you and hope to provide you with the best service and solution. Let us make a better world for our industry!



Contact us

Tel: +86-755-8981 8866 Fax: +86-755-8427 6832

Email & Skype: info@chipsmall.com Web: www.chipsmall.com

Address: A1208, Overseas Decoration Building, #122 Zhenhua RD., Futian, Shenzhen, China



Tooling

Page

Press-in technology

Modular tooling system for starting connector press-in **30.02**

Handling indications **30.03**

Press-in tooling **30.05**

Repair tooling **30.07**

Hand bench presses / pneumatic presses **30.11**

CPM press-in machines **30.12**

Crimp technology

Manual crimping tools. **30.16**

Insertion and removal tools **30.16**

Semiautomatic crimping tools **30.17**

Automatic crimping tools **30.18**

Tooling

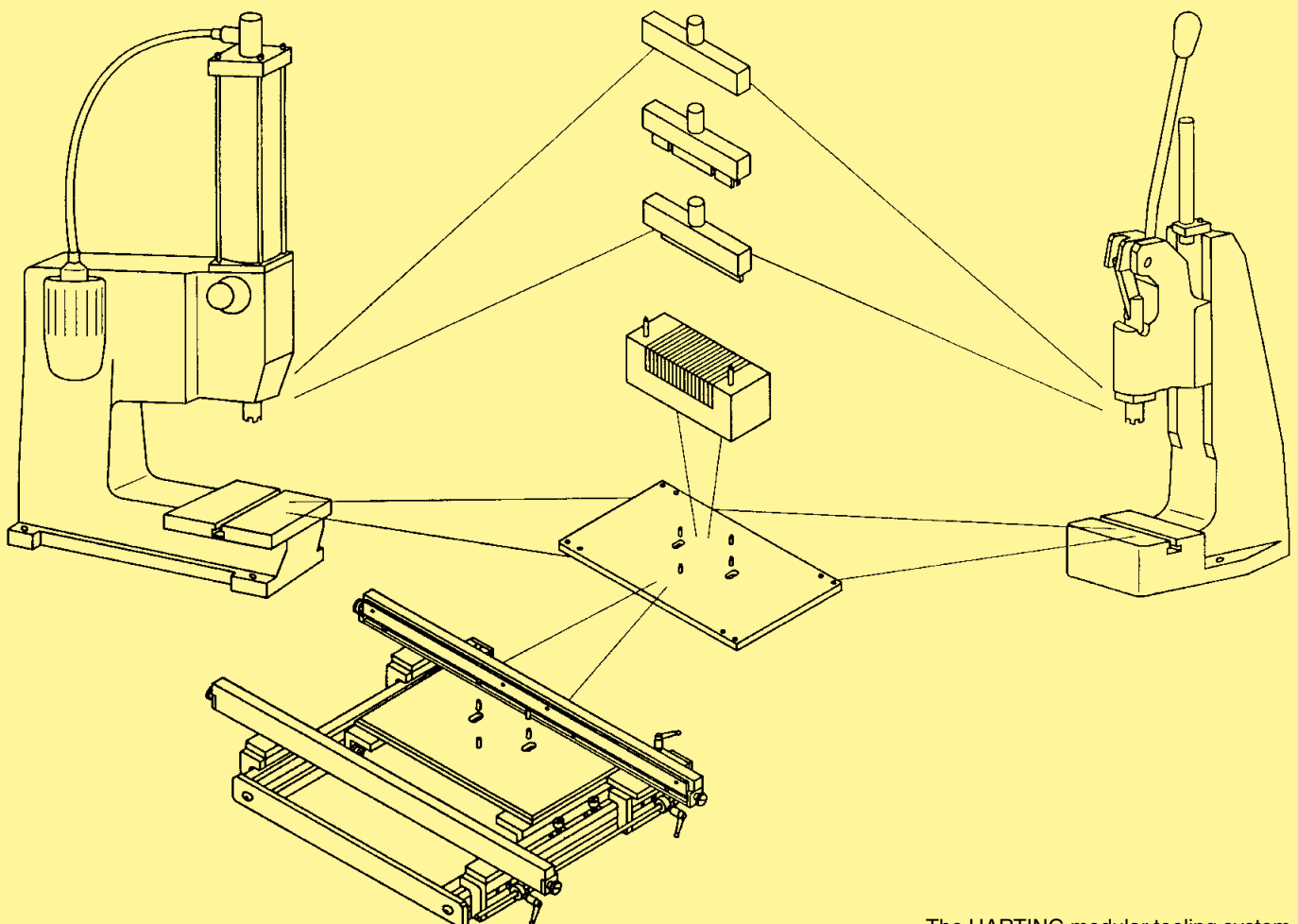
The diversity of connector types with press-in terminations and varying termination styles make it necessary to have a simple, flexible tooling system that can be continuously updated.

The HARTING modular tooling system has significant advantages in terms of economic assembly of the many connector types with press-in terminations. The basic modules of the tooling system which will always be required are:

- Press
- Top tool
- Bottom tool
- Base plate

To increase automation and productivity the following modules may be added to the basic assembly:

- Guide frame with base plate for accurate positioning of the pcb up to a length of 600 mm
- Guide frame "Standard" for hand bench press and pneumatic press and pcb height of 123.5 up to 309.5 mm
- Guide frame "Long" for pneumatic press and pcb height of 123.5 up to 668.5 mm



When setting up an assembly machine it is not necessary to set the working height of the press and adjust the base plate more than once. There is no need for further adjustments. All the other adaptations for various applications are performed efficiently and are reliant by various combinations of individual modules.

Positioning the bottom tool in relation to the top tool

The ram of the HARTING press is generally provided with a cross-shaped groove which accurately positions the top tool in steps of 90°.

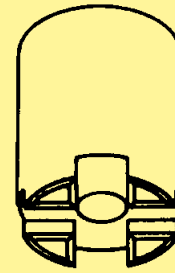
Two guide pins position the bottom tool in relation to the top tool simply and accurately.

These guide pins cannot be used for positioning the pcb or the connector!

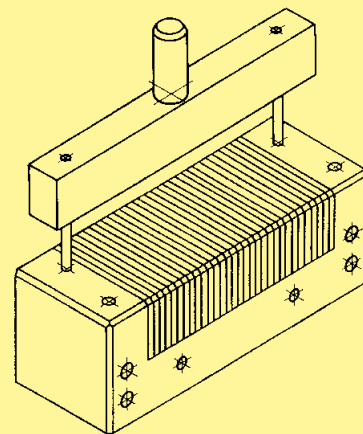
Two pairs of pins on the base plate locate the bottom tool in relation to the top tool in steps of 90°.

Height compensation

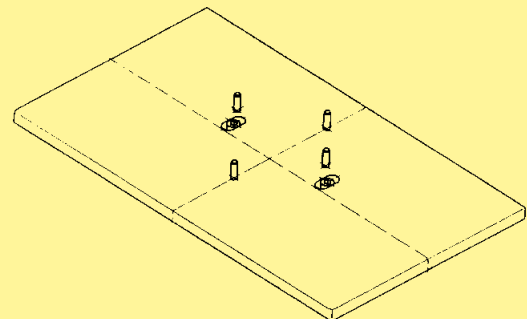
- Various overall heights of connectors are accommodated by type-specific top tools.
- Various pcb thicknesses are accommodated by the use of spacers between the bottom tool and base plate.



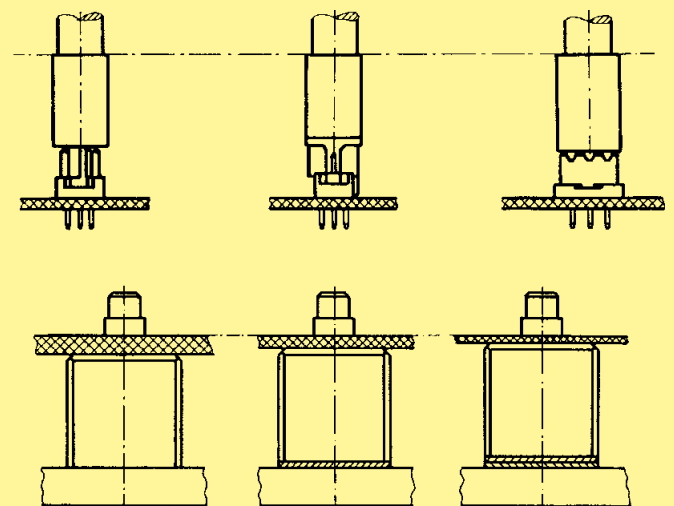
Ram with cross-shaped groove



Positioning the bottom tool in relation to top tool



Base plate with pairs of location pins at 90°



Range of applications for the bottom tool

One bottom tool can be used to assemble connectors with straight or angled press-in terminations.

When pressing in the connectors with angled press-in terminations the positioning pins remain in the bottom tool and serve as guide pins for the connector.

By rotating the bottom tool in steps of 90° and relocating the positioning pins it is possible to assemble half-length connectors with angled press-in terminations.

Bottom tool (narrow version)

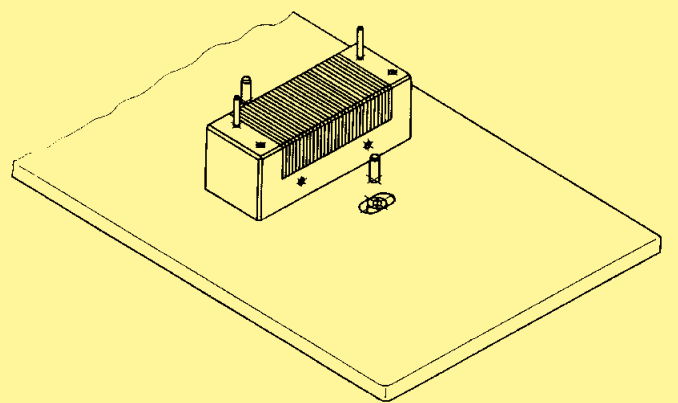
In addition to the square bottom tool with multi-functional properties, HARTING offers the alternative of a narrow bottom tool for assembling connectors with straight press-in terminations. This tool supports the pcb within the press-in connector zone and therefore makes it possible to assemble connectors where electronic components are to be placed in close proximity.

Guide frame

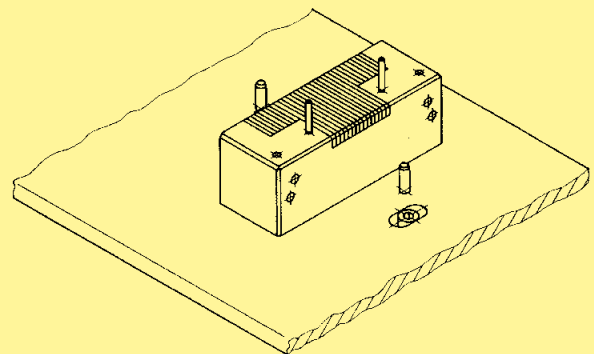
The guide frame screwed to the base plate ensures the correct positioning of the pcb in relation to the top and bottom tools and permits a much higher rate of assembly.

Both guide rails are adjustable to accommodate various pcb sizes.

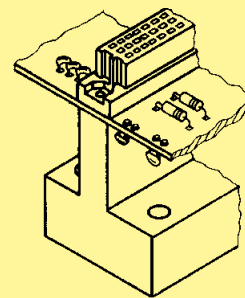
A spring-loaded supporting rail lifts the pcb away from the bottom tool after the press-in operation ensuring that no damage occurs to the conductors as it passes through the machine.



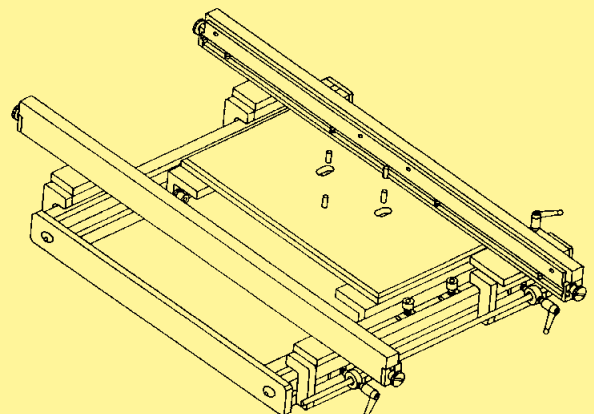
Bottom tool set for assembling connectors with angled pins



Bottom tool set for assembling half-length connectors with angled pins



Narrow version of the bottom tool for special applications



Guide frame for positioning the pcb in relation to the top and bottom tools

Identification	Part No.	Drawing	Dimensions in mm
<p>Bottom tool Universal</p> <p>for use with male and female connectors</p>	<p>Type B, 2B, 3B C, 2C, 3C M Q, 2Q R, 2R E F H har-bus® 64 SEK 18*</p>	<p>09 99 000 0185</p>	
<p>Bottom tool Narrow</p> <p>for use with male connectors</p> <p>for use with female connectors</p>	<p>Type Q, 2Q R, 2R SEK 18*</p> <p>Type B, 2B, 3B C, 2C, 3C M F H</p>	<p>09 99 000 0256</p> <p>09 99 000 0256</p>	
<p>Bottom tool Narrow har-bus® 64</p> <p>for use with female connectors</p>	<p>har-bus® 64</p>	<p>02 99 000 0001</p>	

Tooling

* Connectors see separate catalogue

Identification	Part No.	Drawing	Dimensions in mm
<p>Top tool without insert block for use with male connectors</p> <p>for use with male connectors</p>	<p>Type Q, 2Q R, 2R</p> <p>Type Q, 2Q R, 2R</p>	<p>09 99 000 0181 09 99 000 0183</p> <p>09 99 000 0197</p>	<p>$\phi 10$</p> <p>100</p> <p>12</p> <p>Type Q, 2Q</p> <p>12</p> <p>Type R, 2R</p> <p>$\phi 10$</p> <p>100</p> <p>12</p> <p>Type Q, 2Q, R, 2R</p>
<p>Insert blocks for use with male connectors</p> <p>for use with shrouds</p>	<p>Type Q 2Q R 2R</p> <p>har-bus® 64 Type E Type R Type 2R</p>	<p>09 99 000 0275 09 99 000 0274 09 99 000 0277 09 99 000 0276</p> <p>02 09 000 0012 09 99 000 0277 09 99 000 0276</p>	<p>02 99 000 0002 09 99 000 0197</p>
<p>Top tool for use with female connectors</p>	<p>Type B, 2B, 3B C, 2C, 3C D-Sub* SEK 18* har-mik*</p> <p>Type E F H</p> <p>har-bus® 64</p> <p>Type M (24+8) M (42+6) M (60+4) M (78+2)</p>	<p>09 99 000 0197</p> <p>09 99 000 0221</p> <p>02 99 000 0002</p> <p>09 99 000 0269 09 99 000 0270 09 99 000 0271 09 99 000 0272</p>	<p>$\phi 10$</p> <p>100</p> <p>12</p> <p>Type B, 2B, 3B, C, 2C, 3C</p> <p>14</p> <p>Type E, F, H</p> <p>12</p> <p>har-bus® 64</p> <p>20</p> <p>18,7</p> <p>1,3</p> <p>100</p>
<p>Top tool only for short posts and pcb thickness > 1.6 mm and without guide frame</p> <p>for use with female connectors</p>	<p>Type C</p> <p>Type F H</p> <p>har-bus® 64</p>	<p>09 99 000 0228</p> <p>09 99 000 0229</p> <p>02 99 000 0016</p>	<p>$\phi 10$</p> <p>95</p> <p>12</p> <p>Type C</p> <p>16</p> <p>Type F, H har-bus® 64</p>

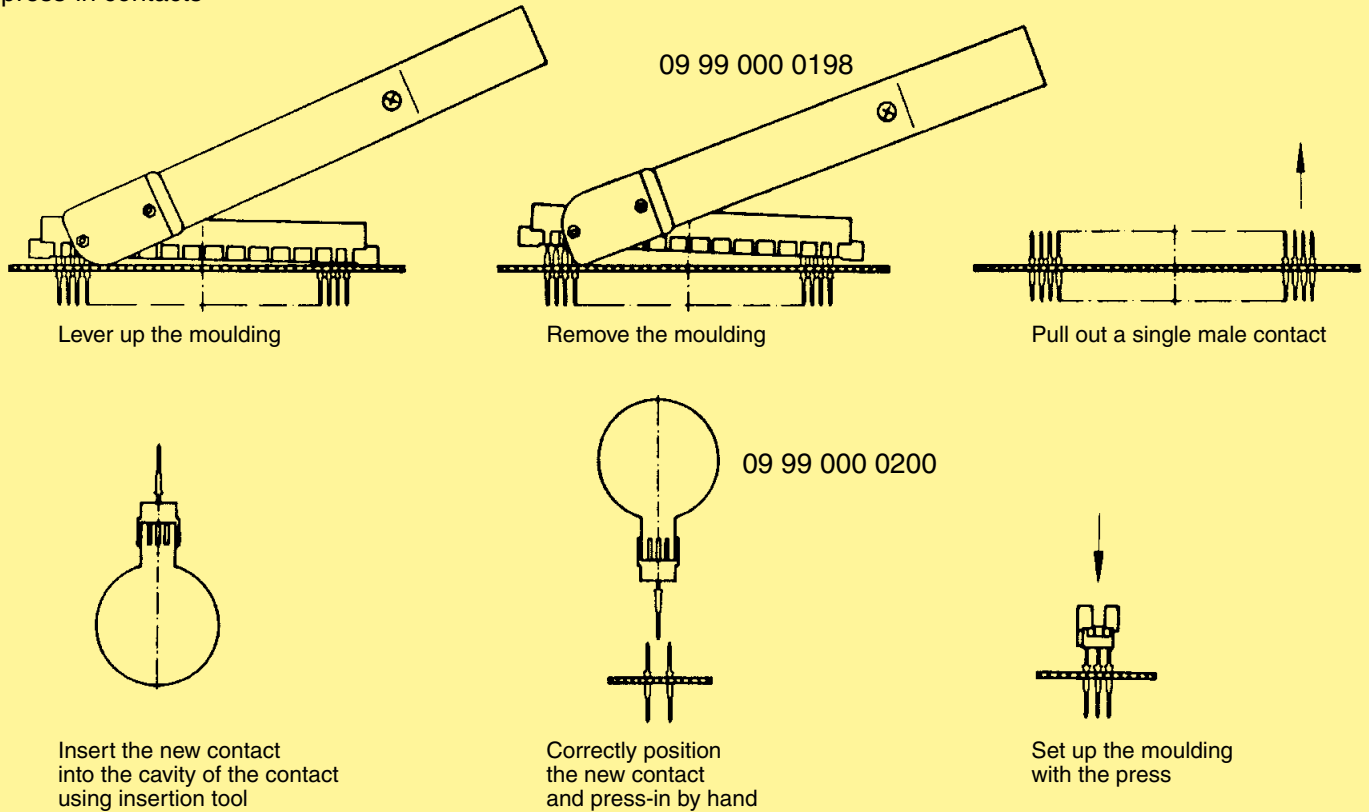
Tooling

* Connectors see separate catalogues

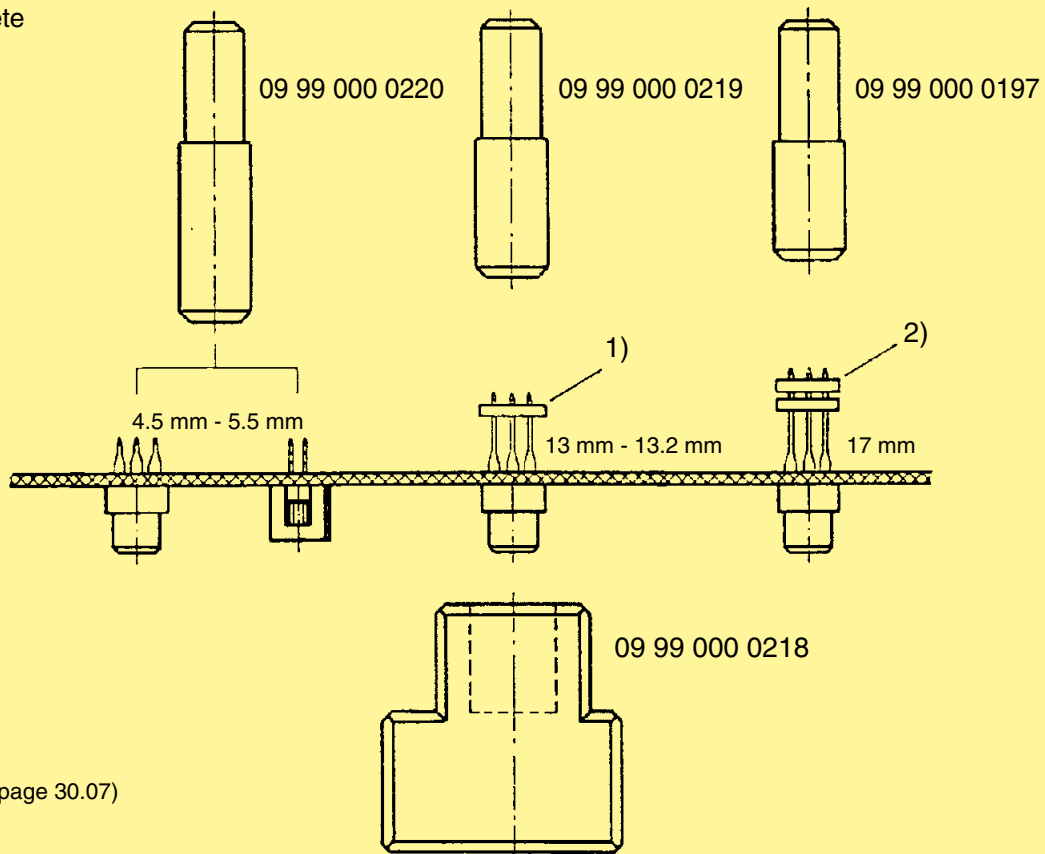
Identification	for use with	Part No.	Drawing	Dimensions in mm															
Removal tool for moulding	Male connectors Type Q 2Q R 2R	09 99 000 0198																	
Removal tool for single male contacts		09 99 000 0239																	
Insertion tool for single male press-in contacts		09 99 000 0200																	
Press-out tool	Termination length 17 mm 13 - 13.2 mm 11.5 mm 4.5 - 5.3 mm	09 99 000 0197 09 99 000 0219 09 99 000 0221 09 99 000 0220		<table border="1"> <thead> <tr> <th>Termination length [mm]</th> <th>x [mm]</th> <th>y [mm]</th> </tr> </thead> <tbody> <tr> <td>17</td> <td>12</td> <td>18.7</td> </tr> <tr> <td>13 - 13.2</td> <td>12</td> <td>22.7</td> </tr> <tr> <td>11.5</td> <td>14</td> <td>20.1</td> </tr> <tr> <td>4.5 - 5.3</td> <td>12</td> <td>30.2</td> </tr> </tbody> </table> <p>With the different dimension y no adjustment of hand bench press necessary.</p>	Termination length [mm]	x [mm]	y [mm]	17	12	18.7	13 - 13.2	12	22.7	11.5	14	20.1	4.5 - 5.3	12	30.2
Termination length [mm]	x [mm]	y [mm]																	
17	12	18.7																	
13 - 13.2	12	22.7																	
11.5	14	20.1																	
4.5 - 5.3	12	30.2																	
Termination support for protection against bending of 13 mm - 17 mm terminations	Male connectors Type Q, 2Q R, 2R Female connectors Type B, 2B, 3B C, 2C, 3C	09 99 000 0240																	
	Female connectors Type F	09 99 000 0241																	
Support block for repair and removal	Male connectors Type Q, 2Q R, 2R SEK 18* Female connectors Type B, 2B, 3B C, 2C, 3C F	09 99 000 0218																	

* Connectors see separate catalogue

Replacement of single male press-in contacts



Replacement of complete press-in connectors



1) Termination support (see page 30.07)

2) for 17 mm wrap posts two termination supports are recommended

Identification	for use with	Part No.	Drawing	Dimensions in mm
Removal tool for moulding	Female connectors har-bus® 64	02 99 000 0003		
Removal tool (heavy duty) for moulding	Female connectors har-bus® 64	02 99 000 0006		
Press-out tool for 17 mm terminations	Female connectors har-bus® 64	02 99 000 0004		
Press-out tool for 5 mm / 4.5 mm terminations	Female connectors har-bus® 64	02 99 000 0008		
Support block	Female connectors har-bus® 64	02 99 000 0005		

Identification	for use with	Part No.	Drawing	Dimensions in mm
Removal tool for shroud	rear I/O shroud har-bus® 64	02 99 000 0007		
	rear I/O shroud Type C, 2C R, 2R	09 99 000 0278		

Replacement of complete **har-bus® 64** press-in connectors

Steps in detail

1. Lever up the moulding by using a removal tool

- The removal tool with Part No. 02 99 000 0003 is suitable for repairing small quantities. It can only be used if the adjacent components on the pcb are at least 2 mm apart from the moulding of the connector.
- The removal tool with Part No. 02 99 000 0006 is suitable for repairing large quantities. Due to its design it can also be used if components on the pcb are in close proximity to the moulding of the connector.

2. Lever up the rear I/O shroud with the removal tool 02 99 000 0007. This step is only required with 17 mm termination length.

3. Pull out the female contacts with the press-out tool

- for 17 mm termination length use Part No. 02 99 000 0004 and
- for 5 mm termination length use Part No. 02 99 000 0008.

During this process the press-out tool replaces the top tool and the pcb is supported by the support block (Part No. 02 99 000 0005) from the bottom.

Identification	Part No.	Drawing	Dimensions in mm
Hand bench press	09 99 000 0201		<p>Technical characteristics</p> <p>Working stroke 25 mm</p> <p>Press force 15 kN max.</p> <p>Hole \varnothing in the ram \varnothing 10 mm</p> <p>Net weight approx. 23 kg</p>
Pneumatic press 40 kN	09 99 000 0282		<p>Technical characteristics</p> <p>Total stroke 48 mm</p> <p>Working stroke 0-6 mm</p> <p>Press force 40 kN max.</p> <p>Air pressure 6 bar</p> <p>Hole \varnothing in the ram \varnothing 10.01 mm</p> <p>Net weight 136 kg</p> <p>Power supply 110 V / 220 V AC</p>
Adaptor for height compensation ¹⁾	09 99 000 0279		
Guide frame with base plate Standard type for pcb size x = 123,5 - 309,5 mm	09 99 000 0244		
Long type ²⁾ for pcb size x = 123,5 - 668,5 mm	09 99 000 0261		
Base plate	09 99 000 0255		

¹⁾ suitable for 09 99 000 0282 and all CPM machines (see page 30.12 ff.)

²⁾ not suitable for hand bench press

The **CPM prestige** press-in machine with a graphical user interface

The **CPM prestige** is a consequential development of the successful CPM 2001 press-in machines. The excellent design, supported by a wide range of tools presents a convenient, easy and comfortable way of processing backplanes and daughtercards. The machine is fully programmable and is supplied with a graphical user interface for control and visualisation of the complete process. The use of a microprocessor control allows the recognition and storage of different component heights, so that the pressing-in of different components is initiated simultaneously with only one button. The user-friendly touch-screen guides the user through the menu-orientated process controls.

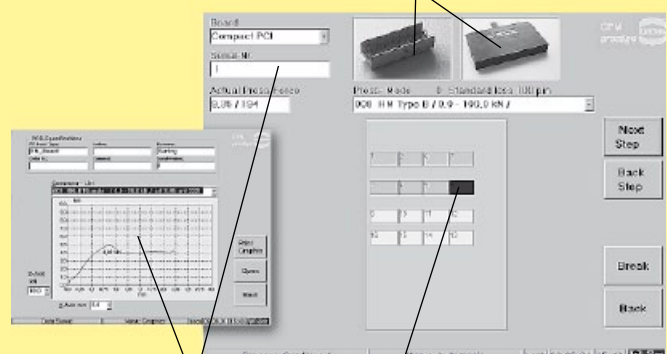
The visualisation of the entire press-in process (the position of the connector, press-in forces etc.) allows the rapid recognition and eradication of the possible error sources. With the addition of a barcode reader (1D and 2D)¹⁾ the parameters of every pcb layout can be stored, recalled and loaded into the automated press-in programme. The extensive operation monitor functions simplify the service and support of the machine.

The machine employs the automatic switch-off system "autosense", known worldwide for its reliability. The different connector types and the tolerances of the pcb are automatically recognised and taken into consideration at the press-in operation, thus maximising the process security.



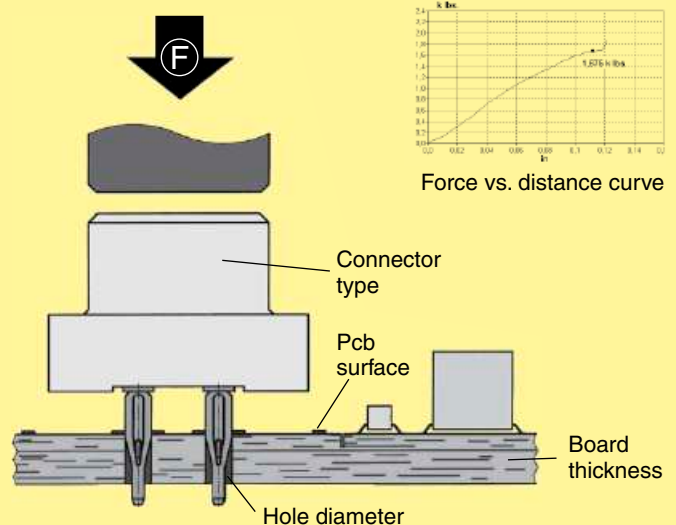
Visual guiding system via touch monitor

Real photos of connectors and tools



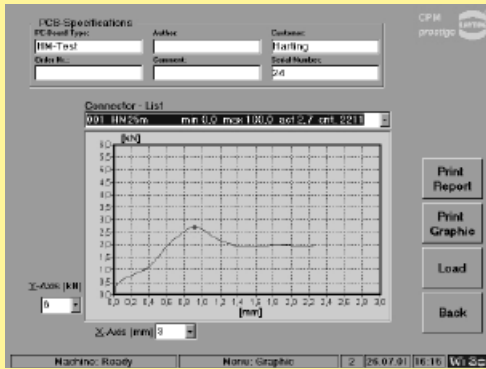
Process data

Layout with current position highlighted



Shown are the four most considerable influences of the press-in process.

¹⁾ optional



Quality control of press-in termination

The press-in force correlates with the diameter of the plated through hole and with the friction coefficient of the surface; therefore it can be used for a continuous monitoring of the process.

The retention force, as an indirect measure of the normal force, serves to qualify the process or random tests.



CPM prestige

Part No. 09 89 040 0000

Technical characteristics

Drive	electro-mechanical, servo
Press-in force	100 kN
max. pcb dimensions	600 x 1000 mm
Floor space	1200 x 1150 mm
Weight	980 kg
Power supply	208 / 380 / 400 / 415 V
Consumption	< 1 kW
Colour	on request

CPM prestige
(incl. PC, control software, barcode reader, keyboard, touch screen)

Built-in features:

- Guiding rails (carbon/spring-loaded) for the secure positioning of the pcb
- Touch-screen and Industrial PC with UPS (uninterruptable power supply)
- Barcode reader for management ease of press-in programs
- All dimensions allow an easy integration into production lines

Process monitoring and quality assurance:

- Touch screen interface with graphical and verbal menus for all machine functions
- Autosense: automated press-in interruption at incorrect press-in forces
- Storage and validation of all press-in parameters via quality assurance software (press-in force tolerances)
- Continuous high-precision measurement and recording of press-in forces and distances
- Remote determination of errors and maintenance
- High flexibility through a modular tool range

Options:

- Rotatable tool changer
- Insertion removal station

Insertion removal station



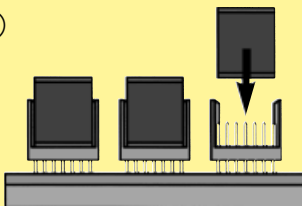
Power supply 220 V / 50 Hz
 Air pressure 6 bar (15-16 l/min.)

Part No. **09 89 040 3000**
 for pcb dimensions
 of max.
 710 mm x 540 mm

Bestseller **CPM prestige** with insertion removal station, adaptable to all HARTING press-in machines.

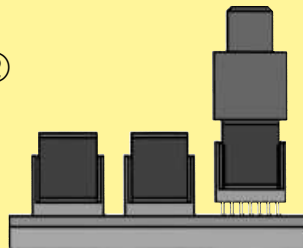
Principle:

①



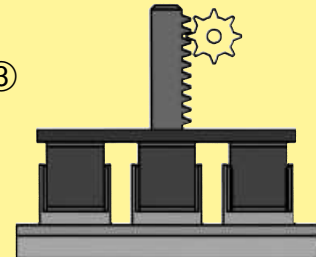
Load all headers with inserts for **one** press-in cycle

②



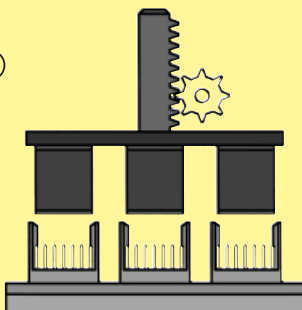
Press-in all connectors with a flat die

③



Position the magnetic plate

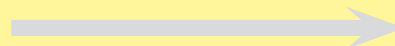
④



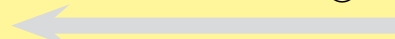
Remove all press-in inserts in one operation

Remove the processed pcb from the machine

⑤

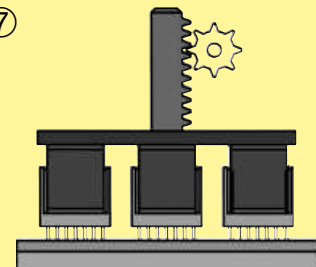


⑥



Move the next pre-assembled pcb to the press-in machine

⑦



Load all headers in one operation

Today nearly all female connectors are designed for flat rock tooling. For every type of male connector specific tooling and a high degree of X-Y-process accuracy is required. Therefore HARTING offers press-in insert blocks that transfer all well known assembling advantages from female connectors to male headers.

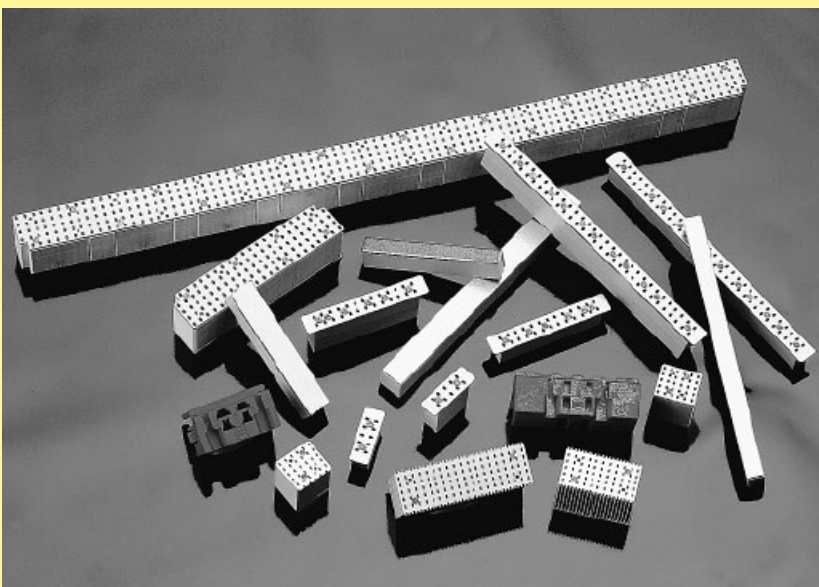
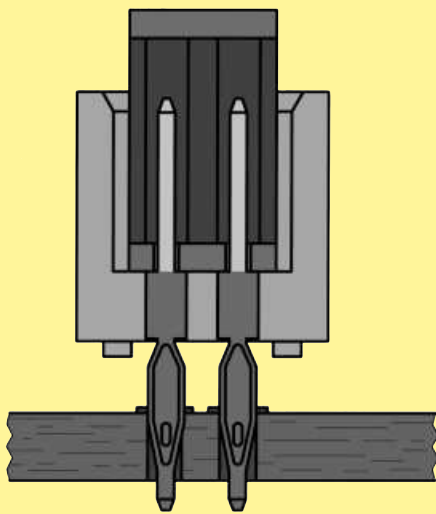


Advantages of press inserts

Robust tooling

No lateral force to pcb hole

No abrasion of the contact mating surface by the press tool



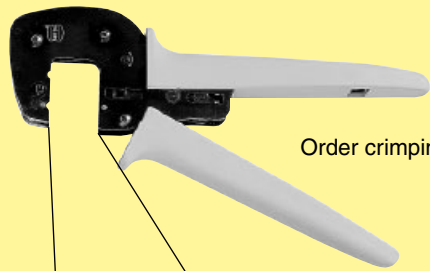
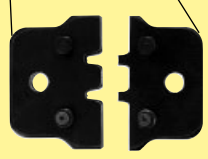




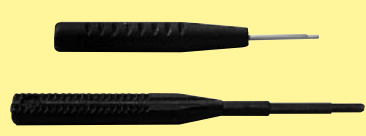
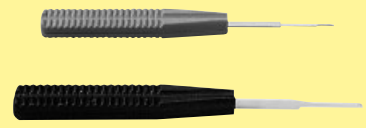
HARTING has already developed press-in inserts for all major male connector families on 2.54 mm, 2.5 mm and 2 mm pitches.

Inserts for any other special components can be developed on request.

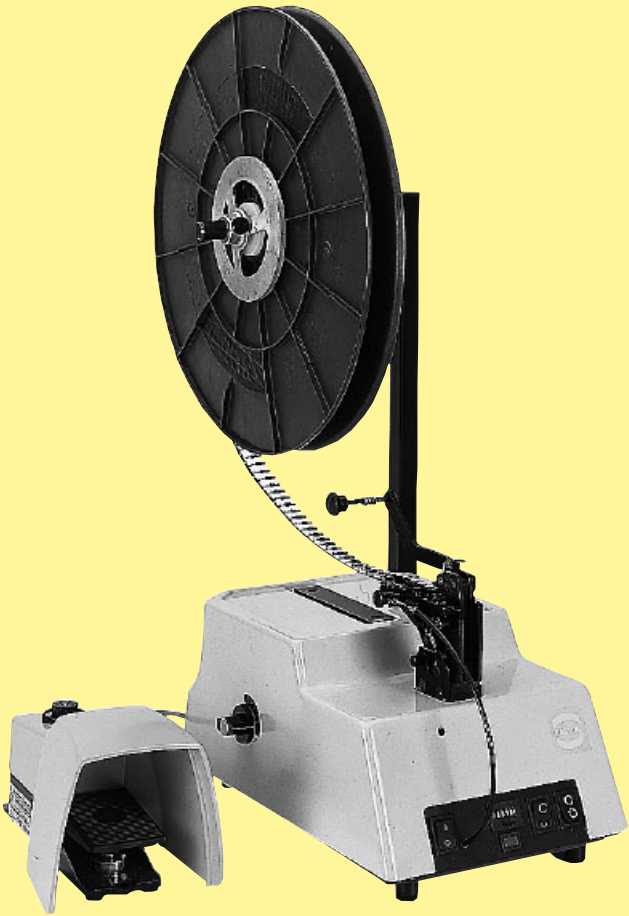
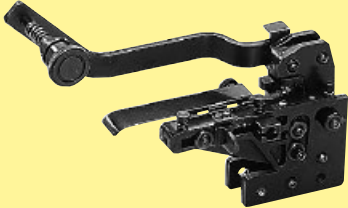
The additional process for inserting and removing the press-in inserts can be efficiently done with the insertion removal station. This station removes all press-in inserts with a magnetic plate in one operation and inserts them into the next pre-assembled pcb with the necessary precision. (Principle see page 30.14).

The cycle time for loading all headers is between 4 and 6 seconds, independent from the amount of press-in inserts.

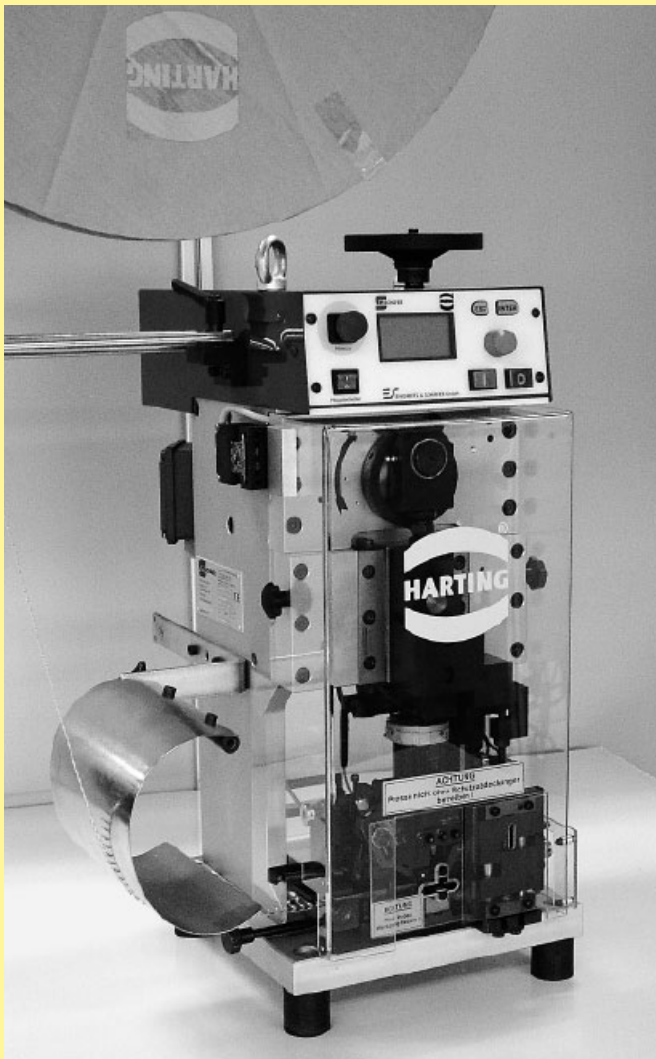
To load the inserts automatically means also that connectors assembled in a wrong way will be recognised and errors consequently prevented.

Identification	Part No.	Drawing	Dimensions in mm
HARTING crimping tool for individual contacts BC / FC and har-bus® 64	09 99 000 0620	 Order crimping inserts separately  Wire gauge BC: 0.09 - 0.50 mm ² FC 1: 0.09 - 0.25 mm ² FC 2: 0.14 - 0.56 mm ² FC 3: 0.50 - 1.50 mm ²  BC: 0.13 mm ² (solid wire)	
Crimping insert set for individual contacts each set contains locator and crimp insert top and bottom part			
BC / FC 1 / har-bus® 64	09 99 000 0621		
FC 2	09 99 000 0622		
FC 3	09 99 000 0623		
BC / har-bus® 64 solid wire	09 99 000 0629		
Locator			
BC / har-bus® 64	09 99 000 0630		
FC	09 99 000 0631		
Service case for crimping tool and 5 sets inserts, incl. screwdriver for insert change, without contents	09 99 000 0632		
HARTING crimping tool for bandoliered contacts (500 pieces) BC / har-bus® 64	09 99 000 0248	 Wire gauge 0.09 - 0.5 mm ² Wire gauge 0.09 - 0.25 mm ² 0.14 - 0.56 mm ² 0.50 - 1.50 mm ²	
for bandoliered contacts (250 pieces)			
FC 1	09 99 000 0247		
FC 2	09 99 000 0119		
FC 3	09 99 000 0120		
BC / har-bus® 64 solid wire	09 99 000 0627	0.13 mm ² (solid wire)	
Crimping tool for individual contacts FC 1, FC 2 and FC 3 (Service tool)	09 99 000 0191	 Wire gauge FC 1: 0.14 - 0.25 mm ² FC 2: 0.25 - 0.56 mm ² FC 3: 0.75 - 1.50 mm ² Locator is supplied with the tool.	
Insertion tool for contacts BC / har-bus® 64	09 99 000 0100		
for contacts FC 1, FC 2 and FC 3	09 99 000 0088		
Removal tool for contacts BC / har-bus® 64	09 99 000 0101		
for contacts FC 1, FC 2 and FC 3	09 99 000 0087		

Tooling

Identification	Part No.	Drawing	Dimensions in mm
<p>HARTING semi-automatic crimping device</p> <p>Main drive, foot-operated 115/230 V – 50 Hz</p>	<p>09 99 000 0246</p>	 <p>Locator not necessary</p>	
<p>Crimping head for bandoliered contacts BC / har-bus® 64</p> <p>FC 1 FC 2 FC 3</p> <p>BC/har-bus® 64 solid wire</p> <p>Real holder for 2,500 contacts FC 1, FC 2 or FC 3 and for 5,000 contacts BC / har-bus® 64</p>	<p>09 99 000 0252</p> <p>09 99 000 0249 09 99 000 0250 09 99 000 0251</p> <p>09 99 000 0628</p> <p>09 99 000 0158</p>	<p>Wire gauge 0.09 - 0.5 mm²</p>  <p>0.09 - 0.25 mm² 0.14 - 0.56 mm² 0.5 - 1.5 mm²</p> <p>0.13 mm² (solid wire)</p>	

Automated crimping machine type BK



Main characteristics

- Smooth run through electronic brakes
- Hand wheel for manual adjustments
- Maintenance friendly through needle bearing rail
- Simple handling by quick change tool and stripper

Part No. 09 98 000 5000

Technical Characteristics

Dimensions

Height 690 mm
(1400 mm with a contact reel)

Width 350 mm

Depth 370 mm

Total weight 72 kg

Power supply 230 V, 50/60 Hz, 2.5 A

Consumption 0.75 kW

Motor speed 440 - 2000 rpm

Cable length 2 m incl. plug

Control SPS

Work cycle trigger Sensor

Work cycle 0.35 s for stripping and crimping

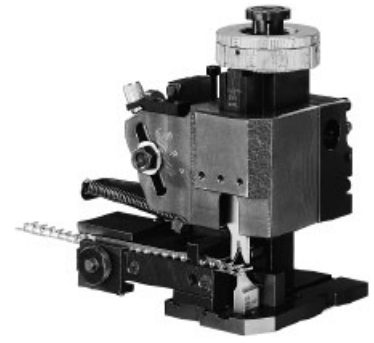
Illumination Integrated tool light

Stroke counter Daywise and fixed

Crimp force monitor BB07i

Crimping tool Quick change tool

Adjustable process parameters
 Crimping height on wire
 Crimping height on insulation
 Depth of insulation stripping
 Length of insulation stripping
 Wire retainer position
 Wire position in the crimp contact
 Band thrust



Identification	for use with	Part No.	Wire gauge [mm ²]	AWG	Insulation [Ø mm]	
Crimping tool for DIN 41 612 connectors ¹⁾	contacts BC / har-bus® 64	09 98 000 3004	0.09 - 0.56	28 - 20	0.7 - 1.6	
	contacts FC 1	09 98 000 3005	0.09 - 0.25	28 - 24	0.7 - 1.6	
	FC 2	09 98 000 3006	0.14 - 0.56	26 - 20	0.8 - 2.3	
	FC 3	09 98 000 3007	0.50 - 1.50	20 - 16	1.6 - 2.8	
	for D-Sub connectors ²⁾	standard contacts	09 98 000 3008 09 98 000 3009	0.09 - 0.25 0.25 - 0.56	28 - 24 24 - 20	0.7 - 1.4 0.9 - 1.7
		high density contacts	09 98 000 3012		26 - 24	0.8 - 1.4

Tooling

¹⁾ 3.5 + 0.5 mm of insulation is stripped from the wire to be crimped
²⁾ 2.5 + 0.5 mm of insulation is stripped from the wire to be crimped

