



Chipsmall Limited consists of a professional team with an average of over 10 year of expertise in the distribution of electronic components. Based in Hongkong, we have already established firm and mutual-benefit business relationships with customers from,Europe,America and south Asia,supplying obsolete and hard-to-find components to meet their specific needs.

With the principle of "Quality Parts,Customers Priority,Honest Operation,and Considerate Service",our business mainly focus on the distribution of electronic components. Line cards we deal with include Microchip,ALPS,ROHM,Xilinx,Pulse,ON,Everlight and Freescale. Main products comprise IC,Modules,Potentiometer,IC Socket,Relay,Connector.Our parts cover such applications as commercial,industrial, and automotives areas.

We are looking forward to setting up business relationship with you and hope to provide you with the best service and solution. Let us make a better world for our industry!



Contact us

Tel: +86-755-8981 8866 Fax: +86-755-8427 6832

Email & Skype: info@chipsmall.com Web: www.chipsmall.com

Address: A1208, Overseas Decoration Building, #122 Zhenhua RD., Futian, Shenzhen, China



5

4

3

2

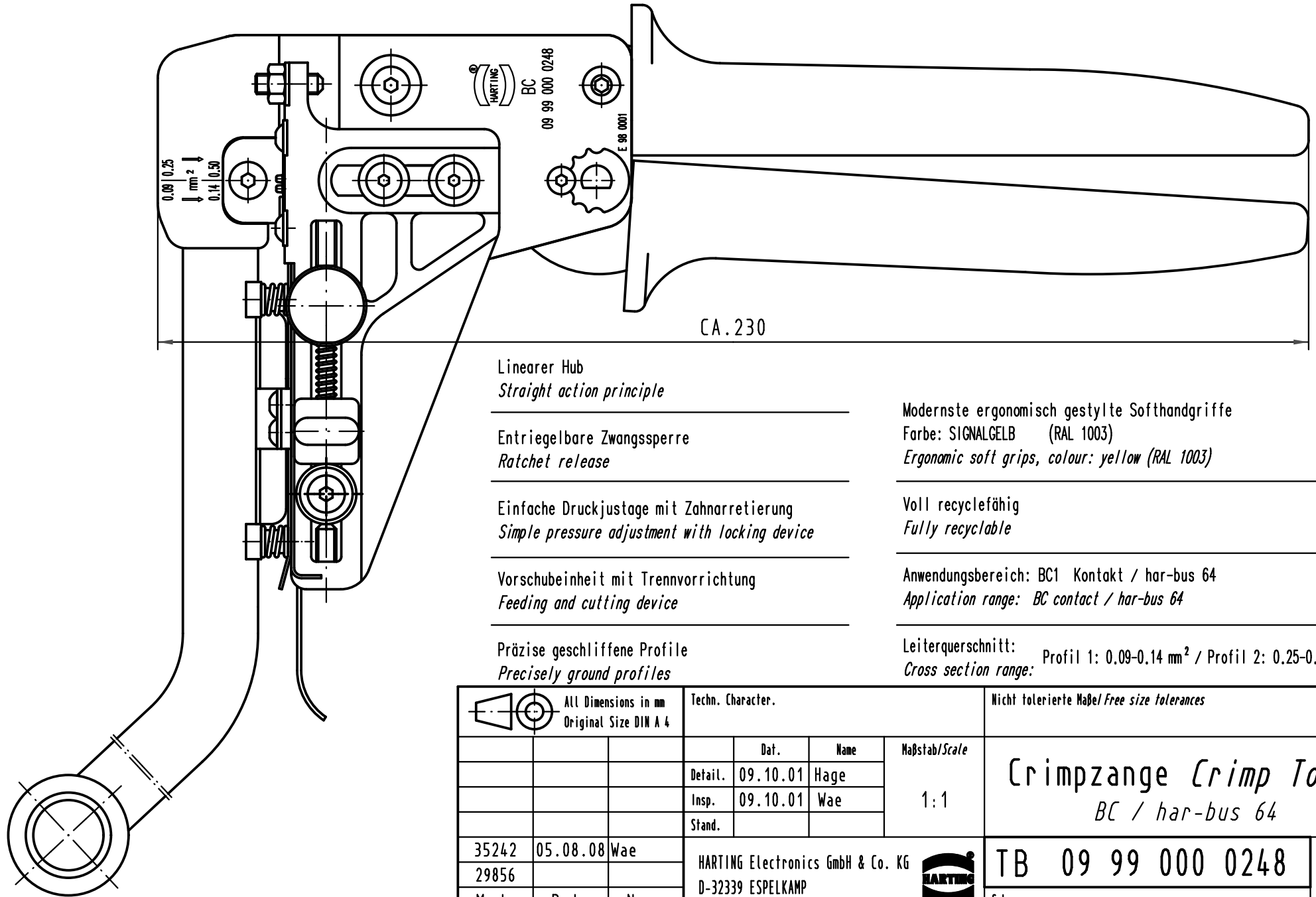
1

D

C

B

A



Linearer Hub
Straight action principle

Entriegelbare Zwangssperre
Ratchet release

Einfache Druckjustage mit Zahnarretierung
Simple pressure adjustment with locking device

Vorschubeinheit mit Trennvorrichtung
Feeding and cutting device

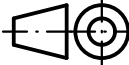

Präzise geschliffene Profile
Precisely ground profiles

Modernste ergonomisch gestylte Softhandgriffe
Farbe: SIGNALGELB (RAL 1003)
Ergonomic soft grips, colour: yellow (RAL 1003)

Voll recyclefähig
Fully recyclable

Anwendungsbereich: BC1 Kontakt / har-bus 64
Application range: BC contact / har-bus 64

Leiterquerschnitt: Profil 1: 0.09-0.14 mm² / Profil 2: 0.25-0.50 mm²
Cross section range:

 All Dimensions in mm Original Size DIN A 4		Techn. Character.			Nicht tolerierte Maße/Free size tolerances	
			Dat.	Name	Maßstab/Scale 1:1	Crimpzange <i>Crimp Tool</i> BC / har-bus 64
		Detail.	09.10.01	Hage		
		Insp.	09.10.01	Wae		
		Stand.				
35242	05.08.08	Wae	HARTING Electronics GmbH & Co. KG			TB 09 99 000 0248
29856			D-32339 ESPELKAMP			
Mod.	Dat.	Name				
						Blatt/ page
						Sub.