



Chipsmall Limited consists of a professional team with an average of over 10 year of expertise in the distribution of electronic components. Based in Hongkong, we have already established firm and mutual-benefit business relationships with customers from,Europe,America and south Asia,supplying obsolete and hard-to-find components to meet their specific needs.

With the principle of “Quality Parts,Customers Priority,Honest Operation,and Considerate Service”,our business mainly focus on the distribution of electronic components. Line cards we deal with include Microchip,ALPS,ROHM,Xilinx,Pulse,ON,Everlight and Freescale. Main products comprise IC,Modules,Potentiometer,IC Socket,Relay,Connector.Our parts cover such applications as commercial,industrial, and automotives areas.

We are looking forward to setting up business relationship with you and hope to provide you with the best service and solution. Let us make a better world for our industry!



Contact us

Tel: +86-755-8981 8866 Fax: +86-755-8427 6832

Email & Skype: info@chipsmall.com Web: www.chipsmall.com

Address: A1208, Overseas Decoration Building, #122 Zhenhua RD., Futian, Shenzhen, China



5

4

3

2

1

D

Linearer Hub
Straight action principle

Einfache Druckjustage durch Druckstückwechsel
Simple pressure adjustment by change of pressure plate

C

Vorschubeinheit mit Trennvorrichtung
Feeding and cutting device

Präzise geschliffene Profile
Precisely ground profiles

B

Voll recyclefähig
Fully recyclable

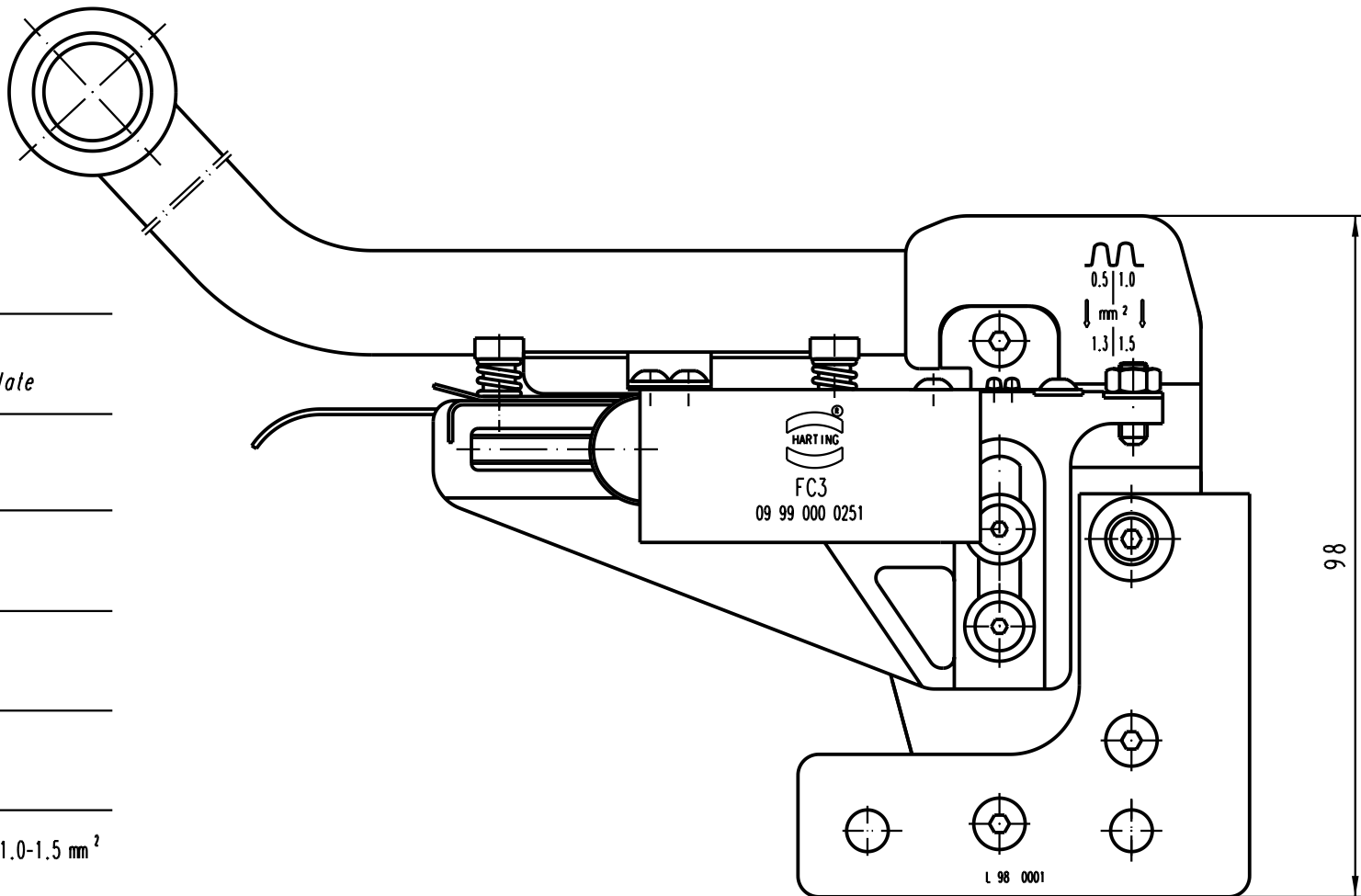
Anwendungsbereich: FC3 Kontakt
Application range: FC3 contact


A

Leiterquerschnitt: Profil 1: 0.5-1.3 mm² / Profil 2: 1.0-1.5 mm²
Cross section range:

Typ Code Nr.:

CSE20TVRA-FC3 0381 73000
CSE210 0480 24000



 All Dimensions in mm Original Size DIN A 4	Techn. Character.			Nicht tolerierte Maßel/Free size tolerances	
		Dat.	Name	Maßstab/Scale	Crimpzangenvorsatz FC3 Crimping head FC3
	Detail.	09.10.01	Hage		
	Insp.	09.10.01	Wae		
	Stand.			1:1	
29856	HARTING Electronics GmbH & Co. KG			TB 09 99 000 0251	Blatt/ page
Mod.	Dat.	Name	D-32339 ESPELKAMP		

