



Chipsmall Limited consists of a professional team with an average of over 10 year of expertise in the distribution of electronic components. Based in Hongkong, we have already established firm and mutual-benefit business relationships with customers from,Europe,America and south Asia,supplying obsolete and hard-to-find components to meet their specific needs.

With the principle of "Quality Parts,Customers Priority,Honest Operation,and Considerate Service",our business mainly focus on the distribution of electronic components. Line cards we deal with include Microchip,ALPS,ROHM,Xilinx,Pulse,ON,Everlight and Freescale. Main products comprise IC,Modules,Potentiometer,IC Socket,Relay,Connector.Our parts cover such applications as commercial,industrial, and automotives areas.

We are looking forward to setting up business relationship with you and hope to provide you with the best service and solution. Let us make a better world for our industry!



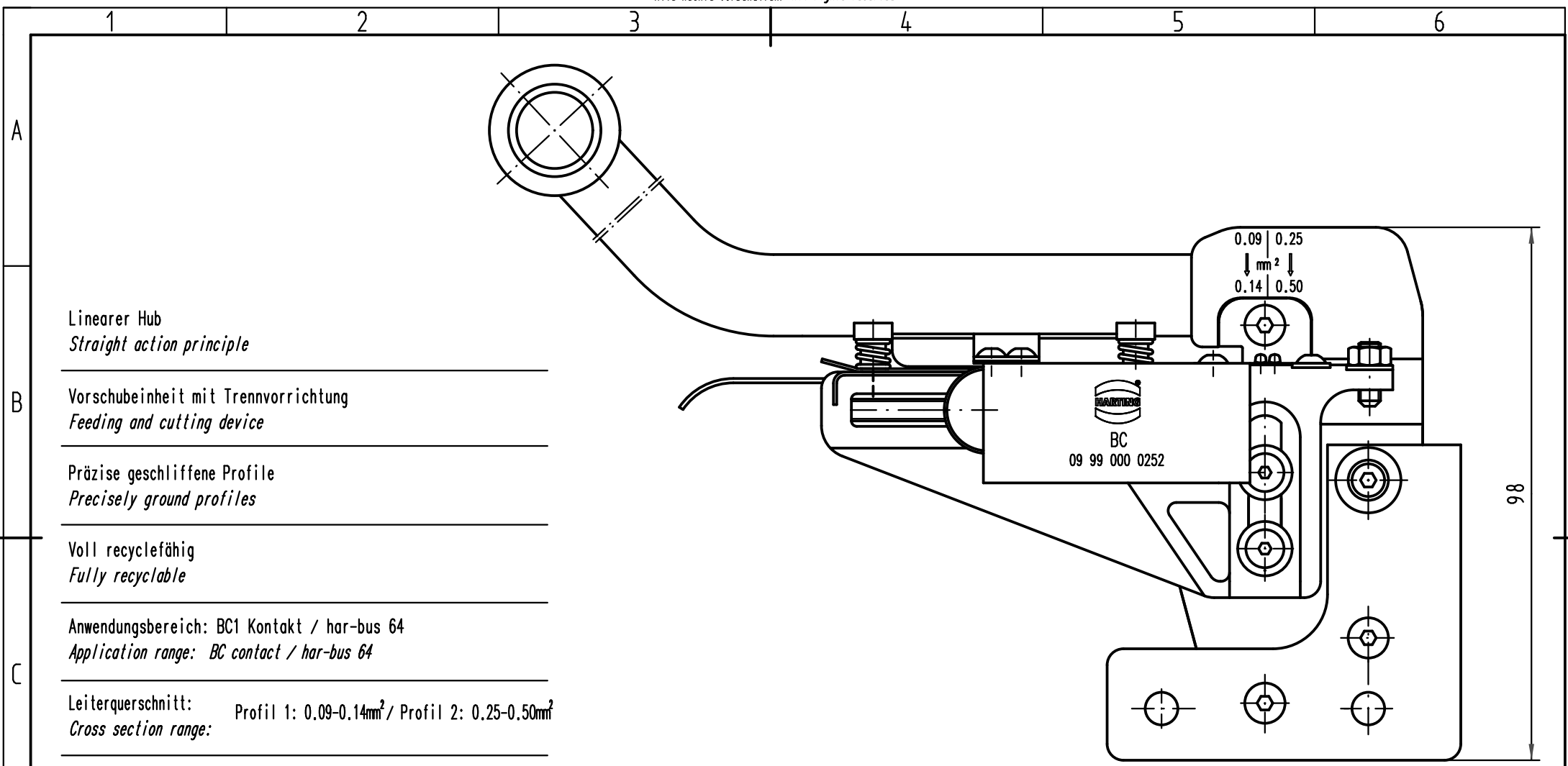
Contact us

Tel: +86-755-8981 8866 Fax: +86-755-8427 6832

Email & Skype: info@chipsmall.com Web: www.chipsmall.com

Address: A1208, Overseas Decoration Building, #122 Zhenhua RD., Futian, Shenzhen, China





Linearer Hub
Straight action principle

Vorschubeinheit mit Trennvorrichtung
Feeding and cutting device

Präzise geschliffene Profile
Precisely ground profiles

Voll recyclefähig
Fully recyclable

Anwendungsbereich: BC1 Kontakt / har-bus 64
Application range: BC contact / har-bus 64

Leiterquerschnitt: Profil 1: 0.09-0.14mm² / Profil 2: 0.25-0.50mm²
Cross section range:

Typ	Code Nr.:
CSE20TVRA-BC1	0388 61000
CSE3001	0480 12000

All Dimensions in mm Original Size DIN A 4	Techn. Character.			Nicht tolerierte Maße/Free size tolerances	
		Dat.	Name	Maßstab/Scale 1:1	Crimpzangenvorsatz <i>Crimping head</i> BC / har-bus 64
	Detail.	18.10.10	Wae		
	Insp.	02.11.10	Hä		
	Stand.				
35927	HARTING Electronics GmbH & Co. KG			TB 09 99 000 0252	Blatt/ page
Mod.	Dat.	Name	D-32339 ESPELKAMP		

D