



Chipsmall Limited consists of a professional team with an average of over 10 year of expertise in the distribution of electronic components. Based in Hongkong, we have already established firm and mutual-benefit business relationships with customers from,Europe,America and south Asia,supplying obsolete and hard-to-find components to meet their specific needs.

With the principle of "Quality Parts,Customers Priority,Honest Operation,and Considerate Service",our business mainly focus on the distribution of electronic components. Line cards we deal with include Microchip,ALPS,ROHM,Xilinx,Pulse,ON,Everlight and Freescale. Main products comprise IC,Modules,Potentiometer,IC Socket,Relay,Connector.Our parts cover such applications as commercial,industrial, and automotives areas.

We are looking forward to setting up business relationship with you and hope to provide you with the best service and solution. Let us make a better world for our industry!



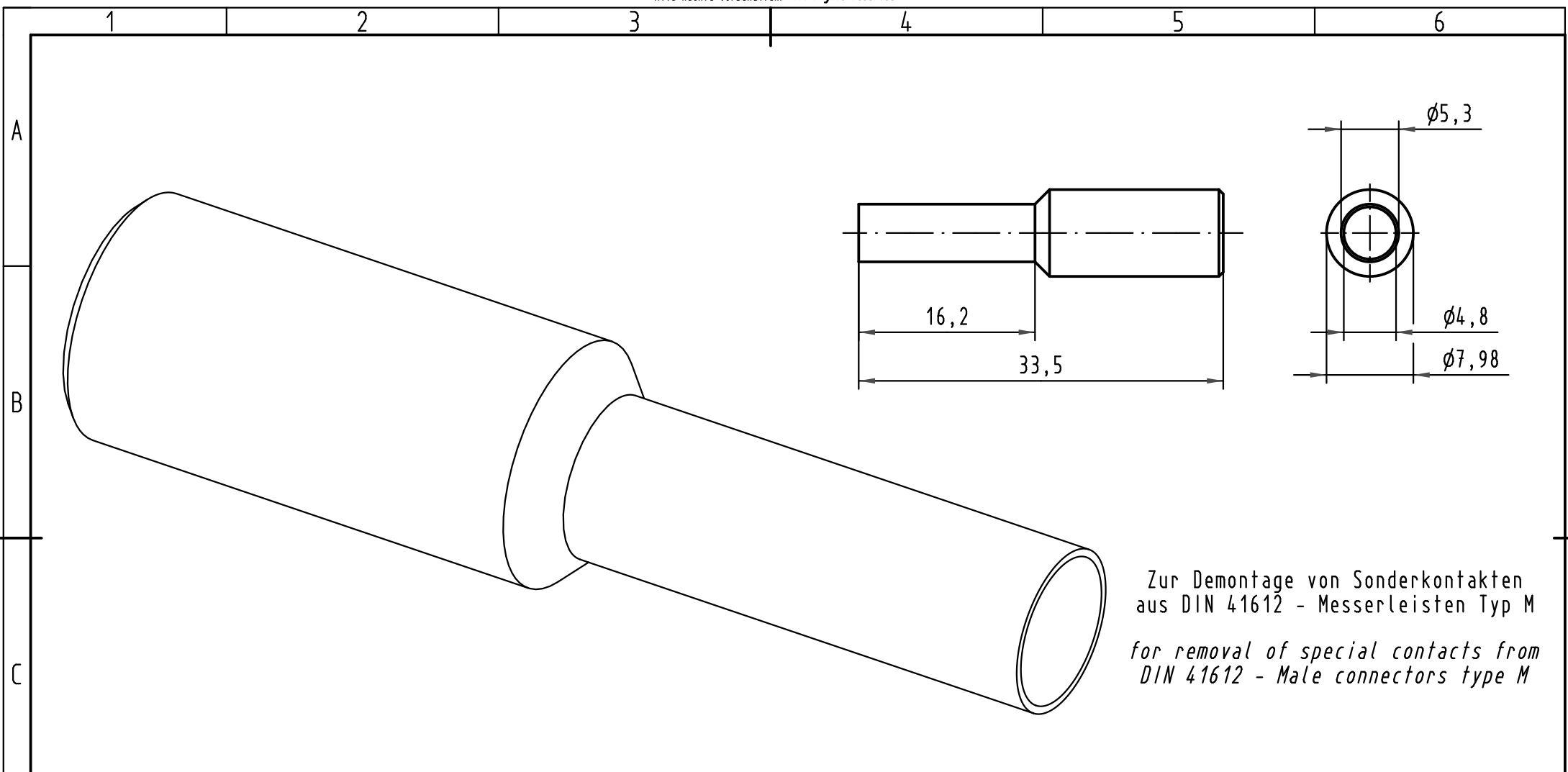
Contact us

Tel: +86-755-8981 8866 Fax: +86-755-8427 6832

Email & Skype: info@chipsmall.com Web: www.chipsmall.com



Address: A1208, Overseas Decoration Building, #122 Zhenhua RD., Futian, Shenzhen, China





Zur Demontage von Sonderkontakten
aus DIN 41612 - Messerleisten Typ M

*for removal of special contacts from
DIN 41612 - Male connectors type M*

 All Dimensions in mm Original Size DIN A 4			Techn. Character.			Nicht tolerierte Maßel Free size tolerances			
				Dat.	Name	Maßstab/Scale 2:1	Ersatzhülse für Demontage- werkzeug 09 99 000 0174 Replacement removal jacket for removal tool 09 99 000 0174		
			Detail.	08.02.10	VF				
			Insp.	08.02.10	Wae				
			Stand.						
35972			HARTING Electronics GmbH & Co. KG				TB 09 99 000 0320		
Mod.	Dat.	Name	D-32339 ESPELKAMP						
							Sub.	Blatt/ page	