



Chipsmall Limited consists of a professional team with an average of over 10 year of expertise in the distribution of electronic components. Based in Hongkong, we have already established firm and mutual-benefit business relationships with customers from,Europe,America and south Asia,supplying obsolete and hard-to-find components to meet their specific needs.

With the principle of “Quality Parts,Customers Priority,Honest Operation,and Considerate Service”,our business mainly focus on the distribution of electronic components. Line cards we deal with include Microchip,ALPS,ROHM,Xilinx,Pulse,ON,Everlight and Freescale. Main products comprise IC,Modules,Potentiometer,IC Socket,Relay,Connector.Our parts cover such applications as commercial,industrial, and automotives areas.

We are looking forward to setting up business relationship with you and hope to provide you with the best service and solution. Let us make a better world for our industry!



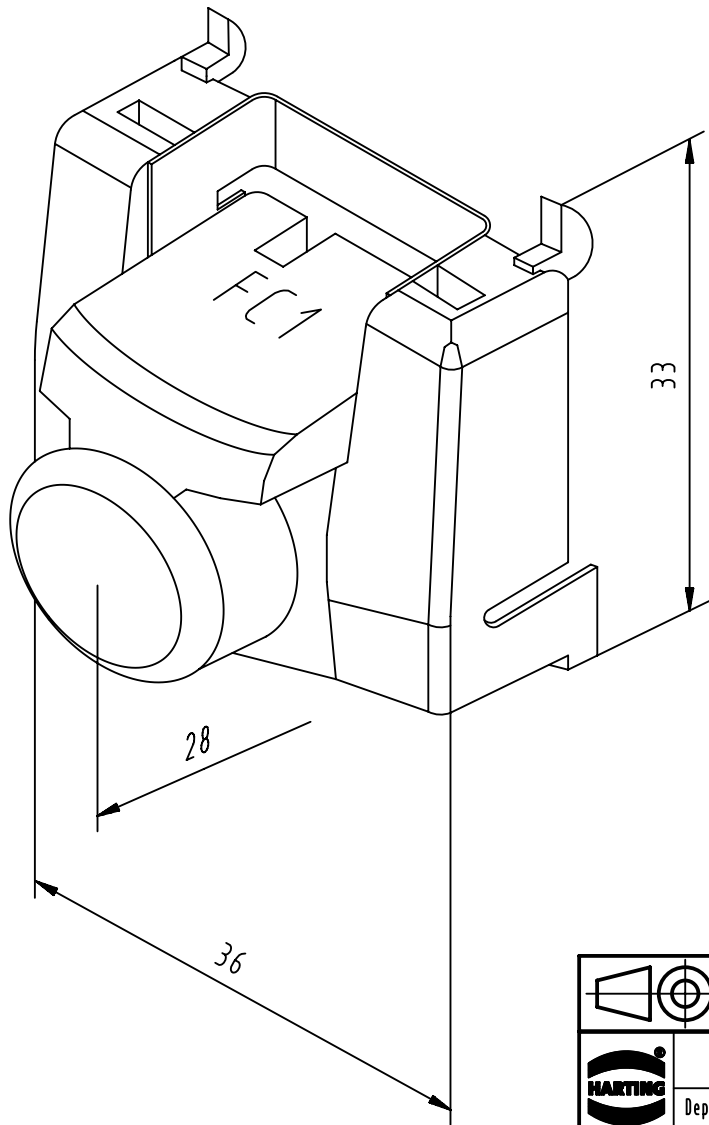
Contact us

Tel: +86-755-8981 8866 Fax: +86-755-8427 6832

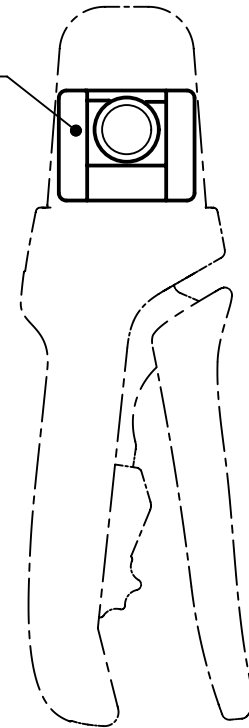
Email & Skype: info@chipsmall.com Web: www.chipsmall.com


Address: A1208, Overseas Decoration Building, #122 Zhenhua RD., Futian, Shenzhen, China





Positionierer für
Crimp-Zange 09 99 000 0075
Locator for
crimp-tool 09 99 000 0075



| | | | | | | | |
|---|--|--|---------------------------|---------------------------|--------------------|--|-------------|
|  | All rights reserved Department EC PD - DE | All Dimensions in mm Original Size DIN A4 | | Scale 1:2 | Free size tol. | Ref. Sub. | |
| | | Created by WAERMKER | Inspected by HAERTLING | Standardisation KOHLER | Date 2012-10-08 | State Final Release | |
| HARTING Electronics GmbH D-32339 Espelkamp | | Title Locator FC1 | | | | Doc-Key / ECM-Nr. 100230969/UGD/001/A | |
| | | Type TB | Number 09990000641 | | | Rev. A | Page 1/1 |