



Chipsmall Limited consists of a professional team with an average of over 10 year of expertise in the distribution of electronic components. Based in Hongkong, we have already established firm and mutual-benefit business relationships with customers from,Europe,America and south Asia,supplying obsolete and hard-to-find components to meet their specific needs.

With the principle of "Quality Parts,Customers Priority,Honest Operation,and Considerate Service",our business mainly focus on the distribution of electronic components. Line cards we deal with include Microchip,ALPS,ROHM,Xilinx,Pulse,ON,Everlight and Freescale. Main products comprise IC,Modules,Potentiometer,IC Socket,Relay,Connector.Our parts cover such applications as commercial,industrial, and automotives areas.

We are looking forward to setting up business relationship with you and hope to provide you with the best service and solution. Let us make a better world for our industry!



## Contact us

Tel: +86-755-8981 8866 Fax: +86-755-8427 6832

Email & Skype: info@chipsmall.com Web: www.chipsmall.com

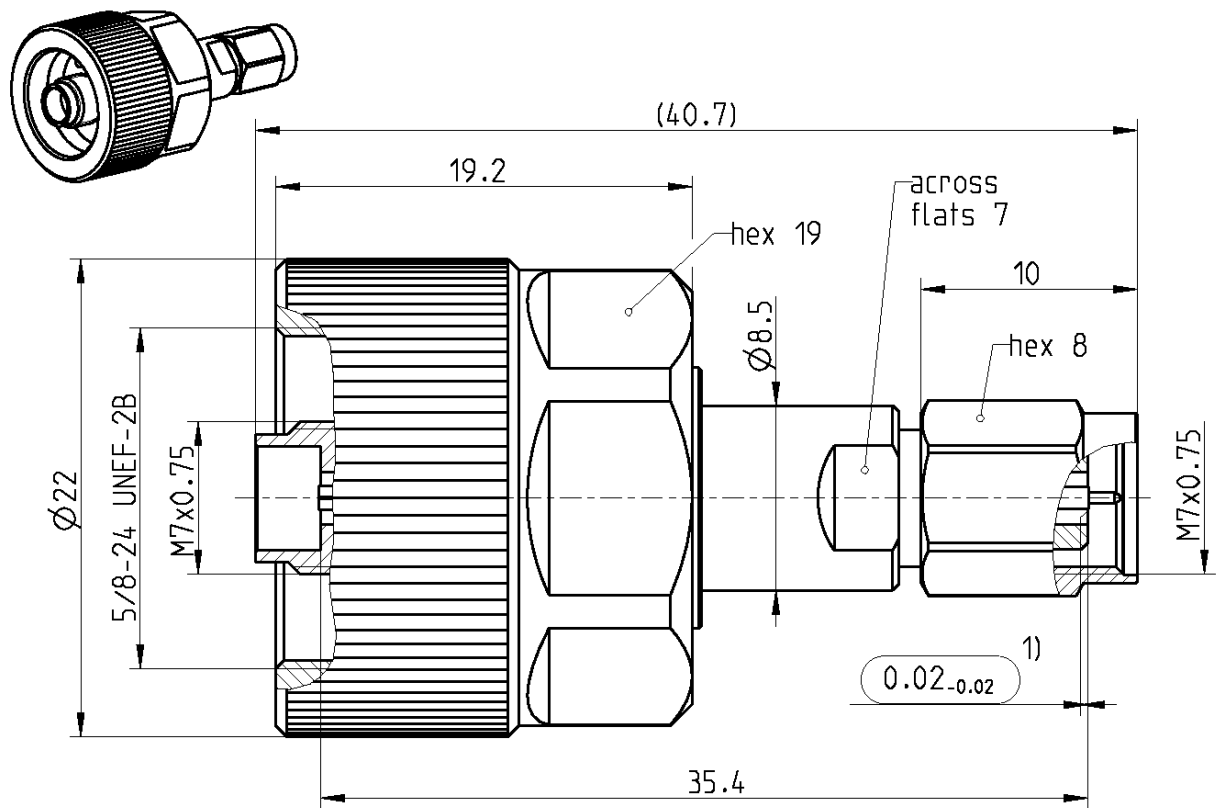
Address: A1208, Overseas Decoration Building, #122 Zhenhua RD., Futian, Shenzhen, China



RPC-2.40

Adaptor  
jack - plug

**09KR121-S0AS3**



1) restricted connection dimension

All dimensions are in mm; tolerances according to ISO 2768 m-H

### Interface

According to IEC 61169-40  
Mechanically compatible with RPC-1.85

### Documents

N/A

### Material and plating

#### Connector parts

Center contact  
Outer contact  
Dielectric  
Coupling nut

#### Material

CuBe  
Stainless steel  
PEEK  
Stainless steel

#### Plating

Gold, min. 1.27 µm, over chemical nickel  
Passivated  
Passivated

RPC-2.40

Adaptor  
jack - plug

**09KR121-S0AS3**

**Electrical data**

Impedance 50 Ω  
 Frequency DC to 50 GHz  
 Return loss ≥ 26 dB, DC to 26.5 GHz  
 ≥ 23 dB, 26.5 GHz to 50 GHz  
 Insertion loss ≤ 0.05 x √f(GHz) dB  
 Insulation resistance ≥ 5 GΩ  
 Test voltage (at sea level) 500 V rms  
 Working voltage (at sea level) 150 V rms  
 RF-leakage ≥ 100 dB up to 1 GHz

**Mechanical data**

Mating cycles ≥ 500  
 Center contact captivation ≥ 20 N  
 Coupling test torque 1.65 Nm  
 Recommended torque 0.80 Nm to 1.10 Nm  
 Recommended torque ruggedized nut 1.36 Nm

**Environmental data**

Temperature range -40°C to +85°C  
 Thermal shock IEC 61169-1, Subclause 9.4.4  
 Corrosion IEC 61169-1, Subclause 9.4.6  
 Vibration IEC 61169-1, Subclause 9.3.3  
 Shock IEC 61169-1, Subclause 9.3.14  
 Moisture resistance IEC 61169-1, Subclause 9.4.3  
 RoHS compliant

**Tooling**

N/A

**Suitable cables**

N/A

**Weight**

46.0 g/pce

While the information has been carefully compiled to the best of our knowledge, nothing is intended as representation or warranty on our part and no statement herein shall be construed as recommendation to infringe existing patents. In the effort to improve our products, we reserve the right to make changes judged to be necessary.

Draft	Date	Approved	Date	Rev.	Engineering change number	Name	Date
M. Singer	01.02.12	F. Reiner	10.07.18	b01	18-1026	M. Ruf	06.07.18