



Chipsmall Limited consists of a professional team with an average of over 10 year of expertise in the distribution of electronic components. Based in Hongkong, we have already established firm and mutual-benefit business relationships with customers from,Europe,America and south Asia,supplying obsolete and hard-to-find components to meet their specific needs.

With the principle of "Quality Parts,Customers Priority,Honest Operation,and Considerate Service",our business mainly focus on the distribution of electronic components. Line cards we deal with include Microchip,ALPS,ROHM,Xilinx,Pulse,ON,Everlight and Freescale. Main products comprise IC,Modules,Potentiometer,IC Socket,Relay,Connector.Our parts cover such applications as commercial,industrial, and automotives areas.

We are looking forward to setting up business relationship with you and hope to provide you with the best service and solution. Let us make a better world for our industry!



Contact us

Tel: +86-755-8981 8866 Fax: +86-755-8427 6832

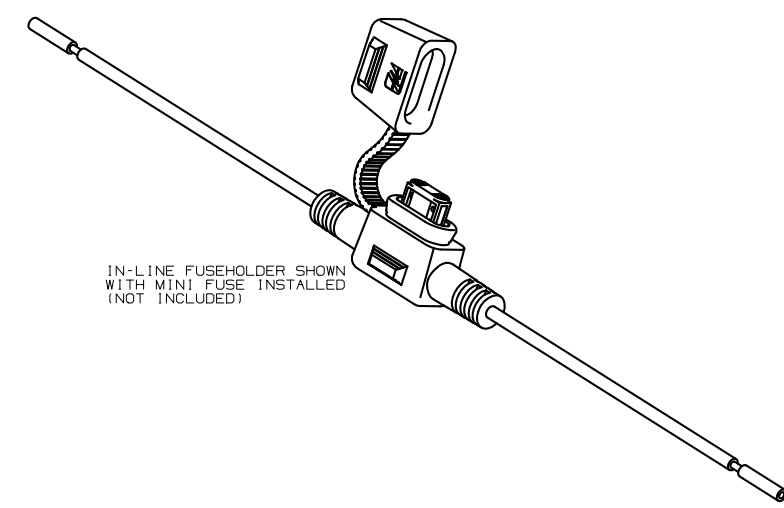
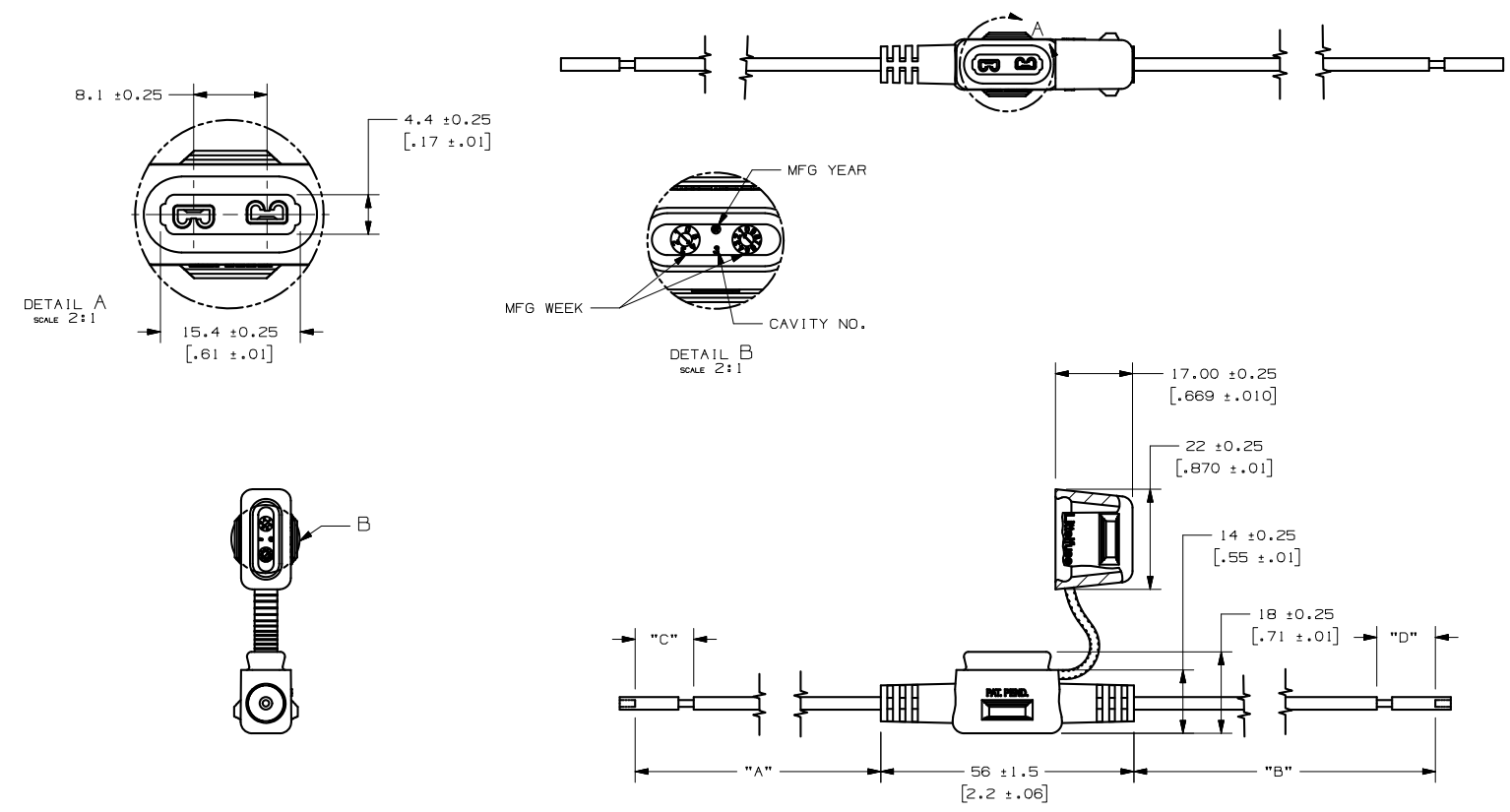
Email & Skype: info@chipsmall.com Web: www.chipsmall.com

Address: A1208, Overseas Decoration Building, #122 Zhenhua RD., Futian, Shenzhen, China



PART NUMBER	"A"	"B"	"C"	"D"	LEAD "A" COLOR	LEAD "B" COLOR
OFHM0002ZXJ	94±5 [3.70±.2]	94±5 [3.70±.2]	13±2 [.51±.08]	13±2 [.51±.08]	ORANGE	ORANGE
OFHM0002ZXJA	93.5±3 [3.681±.12]	93.5±3 [3.681±.12]	12±2 [.472±.08]	6±2 [.236±.08]	RED	ORANGE
OFHM0002ZXJB	167±3 [6.575±.12]	167±3 [6.575±.12]	8±2 [.315±.08]	17±2 [.67±.08]	ORANGE	RED
OFHM0002ZXJC	467±6.4 [18.386±.25]	127±3 [5.0±.12]	5.5±2 [.22±.08]	15.88±2 [.625±.08]	ORANGE	RED
OFHM0002ZXJD	183.8±5 [7.236±.20]	183.8±5 [7.236±.20]	14.2±2 [.56±.08]	14.2±2 [.56±.08]	ORANGE	ORANGE
OFHM0002ZXJE	203.14±5 [7.998±.20]	203.14±5 [7.998±.20]	N/A	N/A	ORANGE	ORANGE
OFHM0002ZXJF	60±5 [2.362±.20]	60±5 [2.362±.20]	6±2 [.236±.08]	6±2 [.236±.08]	ORANGE	ORANGE

LTR	DATE	REVISION	CHK	APD
A	03/29/07	63207 - RELEASE	BRK	
B	06/06/07	85498D - CHG TOL FROM ±1 TO ±1.5, CHG NOTE 6	BRK	
C	07/24/07	85549D - CHG TO CHARTED DRAWING, HOUSING HEIGHT TO 18.0 AND STRIP TOLERANCE TO ±2	BRK	
D	08/15/07	000138ER - ADD OFHM0002ZXJA, OFHM0002ZXJB, AND OFHM0002ZXJC, BRK		
E	11/02/07	000283EC-CHG. STRIP TOL FOR ZXJA-ZXJC, CHG DIM "B" FOR ZXJC TO 127mm GMB		
F	09/19/08	000488ER-RELEASE OFHM0002ZXJD AND OFHM0002ZXJE GMB		
G	12/22/08	000582ER-RELEASE OFHM0002ZXJF GMB		



IN-LINE FUSEHOLDER SHOWN WITH MINI FUSE INSTALLED (NOT INCLUDED)

- NOTES:
- HOLDER MATERIAL: BLACK TPV 251 80W 232
 - CONTACTS: C194 COPPER ALLOY: TIN-PLATED
 - WIRE: ORANGE, 12 AWG STRANDED COPPER, 125°C RATED, GXL WIRE
 - CRIMP: MUST MEET SAE/J562 Z1 STANDARD
 - RATING: MAX. 30A, 32Vdc
 - FUSEHOLDERS SHOULD NOT BE PLACED UNDER TENSION IN FINAL APPLICATION
 - MAX TEMPERATURE 125°C

UNLESS OTHERWISE SPECIFIED, DIMENSIONS ARE IN MILLIMETERS. DIMENSIONS IN BRACKETS [] ARE INCHES.			
UNLESS OTHERWISE SPECIFIED, DIMENSIONS DO NOT INCLUDE PLATING.			
⊙	DENOTES CRITICAL CHARACTERISTICS.		
CPK	DENOTES CPK DIMENSIONS, -MINIMUM CPK VALUE		
ST	DENOTES A CHARACTERISTIC THAT PROVIDES AN INDICATION OF PROCESS PERFORMANCE. PROCEDURE FOR MEASUREMENT AND TRACKING TO BE DEFINED IN LITTELFUSE INSPECTION INSTRUCTIONS		
CP	DENOTES CP DIMENSIONS, -MINIMUM CP VALUE MUST BE WITHIN THE DIMENSIONAL LIMITATIONS SHOWN ON DRAWING AND INITIALLY LOCATED TO ALLOW FOR MAXIMUM TOOL LIFE		
COPIES TO MATL SPEC			
SEE NOTES			
1	9	18	
2	10	19	
3	12	20	
4	13	21	DRW BRK
5	14	23	DATE 03/29/07
6	15	33	SCALE 1:1
7	16	43	CHK DATE SUPER DR
8	17	53	APPD DATE FINISH GOOD WT
GRAMS/PIECE			
TOLERANCE UNLESS OTHERWISE SPECIFIED			
ONE PLACE DEC +/- .3		THREE PLACE DEC +/- .100	
TWO PLACE DEC +/- .15		ANGULAR +/- 1°	
3RD ANGLE PROJECTION	TITLE	MINI IN-LINE FUSEHOLDER	
	REVISION	DRWG. NO.	OUTLINE
	G	OFHM0002ZXJ	

METRIC

CAD GENERATED DRAWING - NO PENCIL CHANGES ALLOWED