



Chipsmall Limited consists of a professional team with an average of over 10 year of expertise in the distribution of electronic components. Based in Hongkong, we have already established firm and mutual-benefit business relationships with customers from,Europe,America and south Asia,supplying obsolete and hard-to-find components to meet their specific needs.

With the principle of "Quality Parts,Customers Priority,Honest Operation,and Considerate Service",our business mainly focus on the distribution of electronic components. Line cards we deal with include Microchip,ALPS,ROHM,Xilinx,Pulse,ON,Everlight and Freescale. Main products comprise IC,Modules,Potentiometer,IC Socket,Relay,Connector.Our parts cover such applications as commercial,industrial, and automotives areas.

We are looking forward to setting up business relationship with you and hope to provide you with the best service and solution. Let us make a better world for our industry!



Contact us

Tel: +86-755-8981 8866 Fax: +86-755-8427 6832

Email & Skype: info@chipsmall.com Web: www.chipsmall.com

Address: A1208, Overseas Decoration Building, #122 Zhenhua RD., Futian, Shenzhen, China





Technical specifications

Electrical characteristics	Module ML	Module MX
Switching voltage	12 VAC/DC max.	12 VAC/DC max.
Switching current	10 mA AC/DC max.	10 mA AC/DC max.
Dielectric strength	500 V/50 Hz	500 V/50 Hz
Durability at 5V, 1mA linear actuation	–	50x10 ⁶
Durability at 5V, 1mA tactile feel click	20x10 ⁶	50x10 ⁶
Durability at 5V, 1mA alternate action	–	0,5x10 ⁶
Durability at 5V, 1mA alternate action		50x10 ⁶
Mechanical characteristics		
Contact configuration	Single-pole contact	Single-pole contact
Action	Pressure point click	Linear, pressure point click, alternate action, ergonomic
Actuator travel	3,0–0,5 mm	4,0–0,4 mm Impuls/4,2 0,3 mm Rast/4–0,5 mm click
Pretravel	1,5 ± 0,5 mm	2 ± 0,6 mm Impuls/1,4 0,4 mm Rast/2,2 0,6 mm click
Initial force	30 cN min	25 cN min.
Actuation force	45 ± 20 cN	60 ± 20 cN linear a. Rast; 45 20 cN, ergonom. and 50 15 cN click
Pressure point force	50 ± 20 cN	55 ± 20 cN, pressure point ergonomic/60 15 cN pressure point click
Bounce time during actuation with 0,4 m/s	≤5 ms	≤5 ms
Standard lead spacing	18 mm (16 mm min.)	19,05 mm (16 mm min.)
Fastening	Fixing pins in the printed circuit board	Snap fastening in frame or fixing pins in the printed circuit board
Lighting (optional)	–	LED in red, green or yellow
Decoupling diode	–	optional
Wire jumper	optional	optional
Materials		
Insulation materials	Thermoplastics (min.UL 94 HB)	Thermoplastics (min.UL 94 HB)
Spring	Stainless steel	Stainless steel
Contacts	High-quality gold alloy	High-quality gold alloy
Other Characteristics		
Protection class	IP 40	IP 40
Operating temperature	–10 °C to +70 °C	–10 °C to +70 °C
Storage temperature	–40 °C to +70 °C	–40 °C to +70 °C
Humidity (without condensation)	5 % to 95 %	5 % to 95 %
Soldering capability	see soldering specifications	see soldering specifications

For detailed information and the layout of the details described above, please do not hesitate to ask for our technical specifications and drawing.



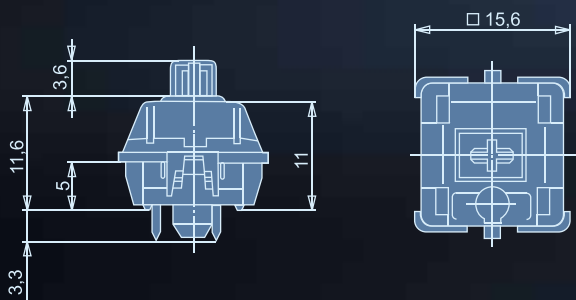
Keymodule MX

Features

The constructive design of the key and the design of the associated keycaps fulfil the ergonomic requirements for data input workstations. Long operating life with gold crosspoint contact and high reliability with quick actuation. Optionally with integrated colour LED decoupling diode or wire bridge. 4 mm actuation travel.

Size of keycap	1x2	1x3	1x8
	1x2,25 1x2,75		
Type of keycap	8 mm/Cyln	8 mm/Cyln	8 mm/Cyln
„A“ (in mm)	23,8	38,1	133,35
Part-No. (without Pins)	G99-0224	G99-0225	G99-0226
Part-No. (with Pins)	G99-0742	G99-0743	G99-0744

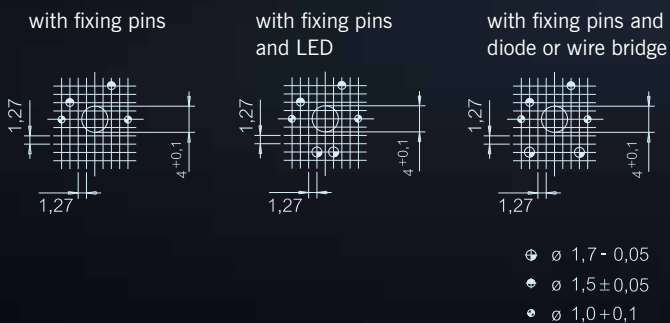
View of keymodule



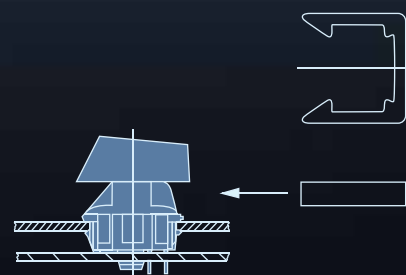
Keyswitch assembly



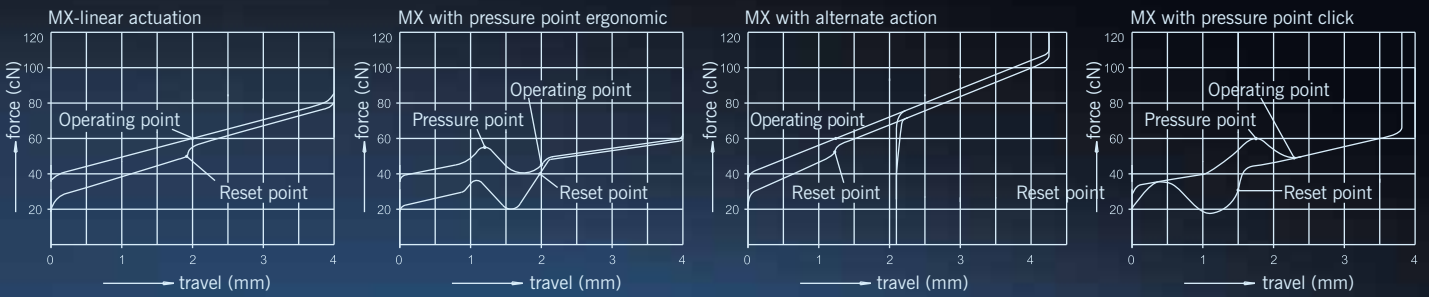
Drilling patterns



Locking unit

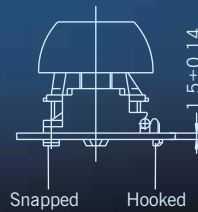
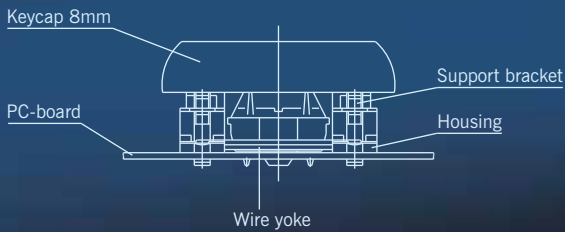


Force/travel diagram

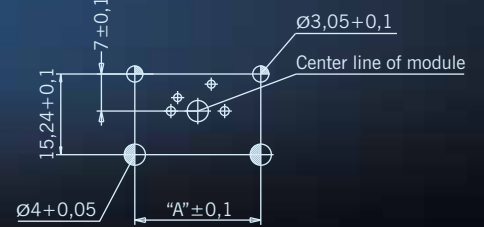


Multiple key mechanical

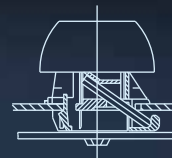
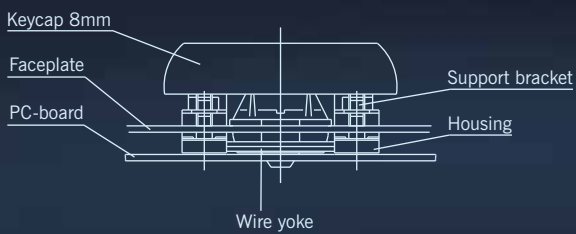
without frame



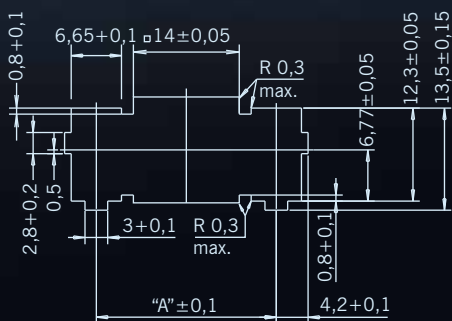
Drilling pattern



with frame



Cutout of frame for keycaps sizes
1x2, 1x2,25, 1x2,75



Cutout of frame for keycaps sizes
1x3, 1x7, 1x8, 1x9, 1x10

