



Chipsmall Limited consists of a professional team with an average of over 10 year of expertise in the distribution of electronic components. Based in Hongkong, we have already established firm and mutual-benefit business relationships with customers from,Europe,America and south Asia,supplying obsolete and hard-to-find components to meet their specific needs.

With the principle of “Quality Parts,Customers Priority,Honest Operation,and Considerate Service”,our business mainly focus on the distribution of electronic components. Line cards we deal with include Microchip,ALPS,ROHM,Xilinx,Pulse,ON,Everlight and Freescale. Main products comprise IC,Modules,Potentiometer,IC Socket,Relay,Connector.Our parts cover such applications as commercial,industrial, and automotives areas.

We are looking forward to setting up business relationship with you and hope to provide you with the best service and solution. Let us make a better world for our industry!



## Contact us

Tel: +86-755-8981 8866 Fax: +86-755-8427 6832

Email & Skype: info@chipsmall.com Web: www.chipsmall.com

Address: A1208, Overseas Decoration Building, #122 Zhenhua RD., Futian, Shenzhen, China

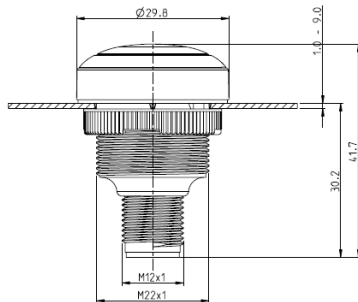




## RAMO 22 I signal indicator

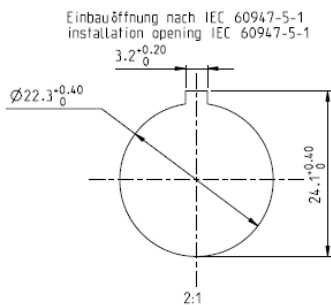
### → Allgemein / general information

Baureihe / series	RAMO I
Typ Bezeichnung / type description	RAMO 22 I signal indicator
Bundform / form of collar	Rund / round
Farbe des Frontrings / color of front ring	schwarz / black



### → Einbaumaßen / Dimensions

Bundmaß / dimensions of collar	29,8 mm
Bauhöhe / overall height	11,5 mm
Einbautiefe / Mounting depth	30,2 mm
Einbauöffnung / mounting hole	22,3 mm
Tasterraster / key grid	30 x 30 mm

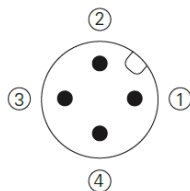


### → Technische Angaben / technical data

Befestigung / mounting	Gewinding / threaded ring
Drehmoment für Gewinding / torque for nut ring	max. 1,2 N
Anschluss rückseitig / rear connection	M12, a-codiert, 4 pole

### → Elektrische Angaben / electrical data

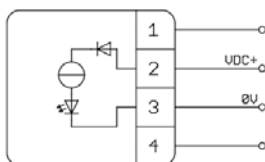
Beleuchtung / illumination	SMT LED
LED Stromversorgung / LED power supply	+24 V DC



Standard M12x1,5, a-codiert

### → Sonstige Angaben / other specifications

Betriebstemperatur / operating temperature	-25 °C to +70 °C
Lagertemperatur / storage temperature	-40 °C to +80 °C
Schutzart frontseitig / degree of protection from front side	IP66, IP67, IP69K
Schutzart rückseitig / degree of protection from back side	IP66 (acc. to used plug-in connector IP67 or IP69K)
Umweltbeständigkeit / resistance to environment	acc. to IEC 60068-2-14, -30, -33, -78
ROHS konform / compliant	Ja / yes
REACH konform / compliant	Ja / yes



Technische Angaben sind annähernd und dienen nur der groben Orientierung bei der Produktwahl. Änderungen und Irrtümer bleiben vorbehalten. Bilder und sonstige Darstellungen ähnlich. Weitere Informationen unter [www.rafi.de](http://www.rafi.de) unter Impressum / Datenschutz.  
Technical specifications are only approximate and should be used only for product selection. Subject to change and errors excepted.  
Images and other depictions alike. For more information, go to Imprint / Data protection at [www.rafi.de](http://www.rafi.de)