



Chipsmall Limited consists of a professional team with an average of over 10 year of expertise in the distribution of electronic components. Based in Hongkong, we have already established firm and mutual-benefit business relationships with customers from,Europe,America and south Asia,supplying obsolete and hard-to-find components to meet their specific needs.

With the principle of “Quality Parts,Customers Priority,Honest Operation,and Considerate Service”,our business mainly focus on the distribution of electronic components. Line cards we deal with include Microchip,ALPS,ROHM,Xilinx,Pulse,ON,Everlight and Freescale. Main products comprise IC,Modules,Potentiometer,IC Socket,Relay,Connector.Our parts cover such applications as commercial,industrial, and automotives areas.

We are looking forward to setting up business relationship with you and hope to provide you with the best service and solution. Let us make a better world for our industry!



Contact us

Tel: +86-755-8981 8866 Fax: +86-755-8427 6832

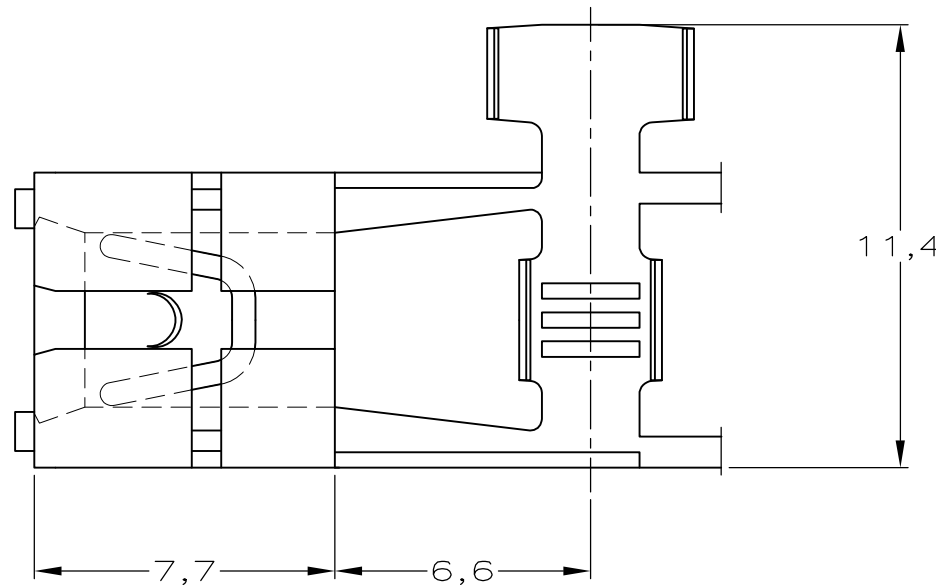
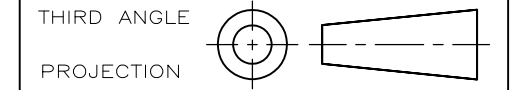
Email & Skype: info@chipsmall.com Web: www.chipsmall.com

Address: A1208, Overseas Decoration Building, #122 Zhenhua RD., Futian, Shenzhen, China



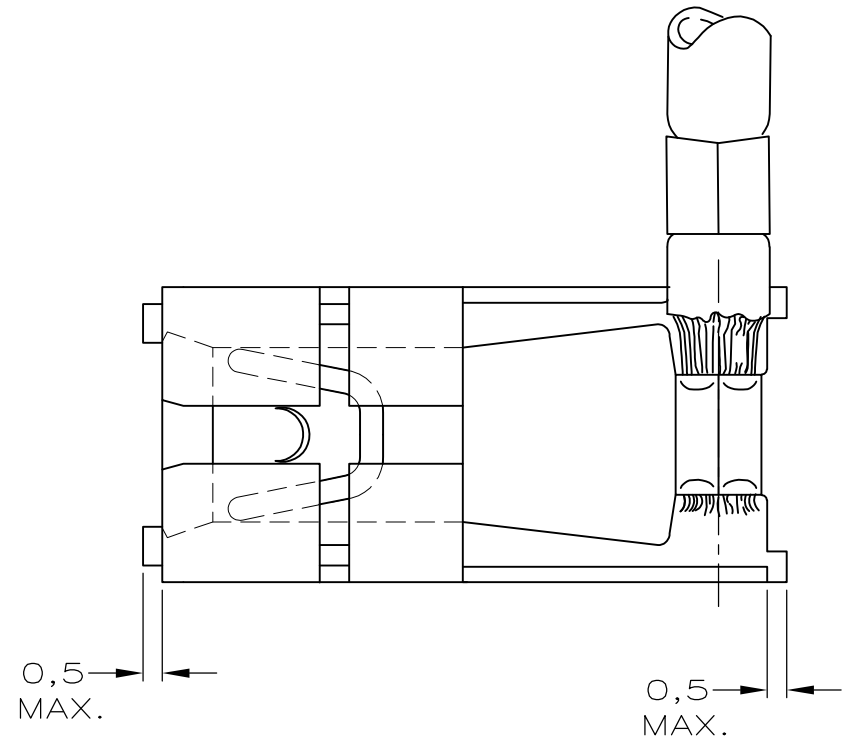
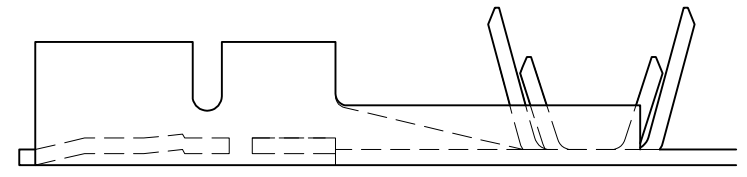
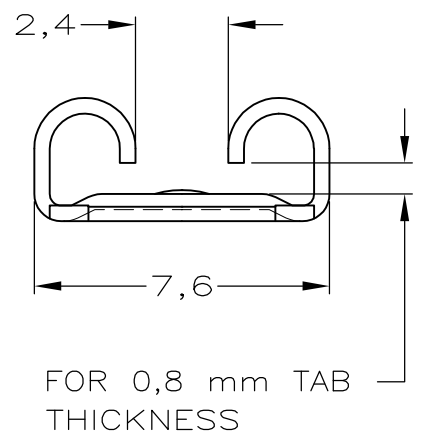
DO NOT SCALE
DIMENSIONS IN mm

METRIC



NOTES:

- 1 FOR USE ON MINIATURE APPLICATORS (LEFT-RIGHT FEED)
- 2 HANDTOOL 180319 TO BE USED.
- 3 APPLICATION SPEC. 114-19025.
- 4 PRODUCT SPEC. 108-19084.
- △5 REVERSE REELED FOR MINI APPLICATOR.
- △6 OBSOLETE PARTS: OBSOLETE CIS STREAMLINING PER D.RENAUD/D.SINISI



WIRE RANGE :
1,0 - 2,5 mm²
INSULATION RANGE :
2,5 - 3,8 mm DIA.

100689-4	TINPLATED	PH.BRONZE	△5 1-100645-4	△6
100689-3	UNPLATED	PH.BRONZE	△5 1-100645-3	
100689-2	TINPLATED	BRASS	△5 1-100645-2	△6
100689-1	UNPLATED	BRASS	△5 1-100645-1	△6
100689-4	TINPLATED	PH.BRONZE	100645-4	△6
100689-3	UNPLATED	PH.BRONZE	100645-3	
100689-2	TINPLATED	BRASS	100645-2	
100689-1	UNPLATED	BRASS	100645-1	△6
LOOSE PIECE △2		FINISH	MATERIAL	PARTNUMBER

CUSTOMER DRAWING					FOR REFERENCE ONLY WILL NOT BE UPDATED	
© COPYRIGHT 19 - BY AMP HOLLAND B.V. ALL INTERNATIONAL RIGHTS RESERVED. AMP PRODUCTS MAY BE COVERED BY U.S. AND FOREIGN AND/OR PATENTS PENDING.						
THIS DRAWING IS UNPUBLISHED RELEASED FOR PUBLICATION _____, 19 _____						
B1	REVISED PER ECO-09-020932	KK	AEG	27AUG09		
B	EH-0935-93	P.B.	P.B.	03.12.93		
A	EH-0242-93	P.B.	P.B.	14.04.93		
0	H-9565	P.B.	A.B.	20.02.92		
LTR.	REVISION RECORD	DR.	CHK.	DATE		
DR.:	P.BEIJNON	CHK.:	A.BIJNEN	APP.:	L.v.SOEST.	DWG.No.
DATE:	20.02.92	DATE:	-	DATE:	-	C-100645
				REV.LTR.	SHEET	A3
				B1	1 OF 1	