



Chipsmall Limited consists of a professional team with an average of over 10 year of expertise in the distribution of electronic components. Based in Hongkong, we have already established firm and mutual-benefit business relationships with customers from,Europe,America and south Asia,supplying obsolete and hard-to-find components to meet their specific needs.

With the principle of "Quality Parts,Customers Priority,Honest Operation,and Considerate Service",our business mainly focus on the distribution of electronic components. Line cards we deal with include Microchip,ALPS,ROHM,Xilinx,Pulse,ON,Everlight and Freescale. Main products comprise IC,Modules,Potentiometer,IC Socket,Relay,Connector.Our parts cover such applications as commercial,industrial, and automotives areas.

We are looking forward to setting up business relationship with you and hope to provide you with the best service and solution. Let us make a better world for our industry!



Contact us

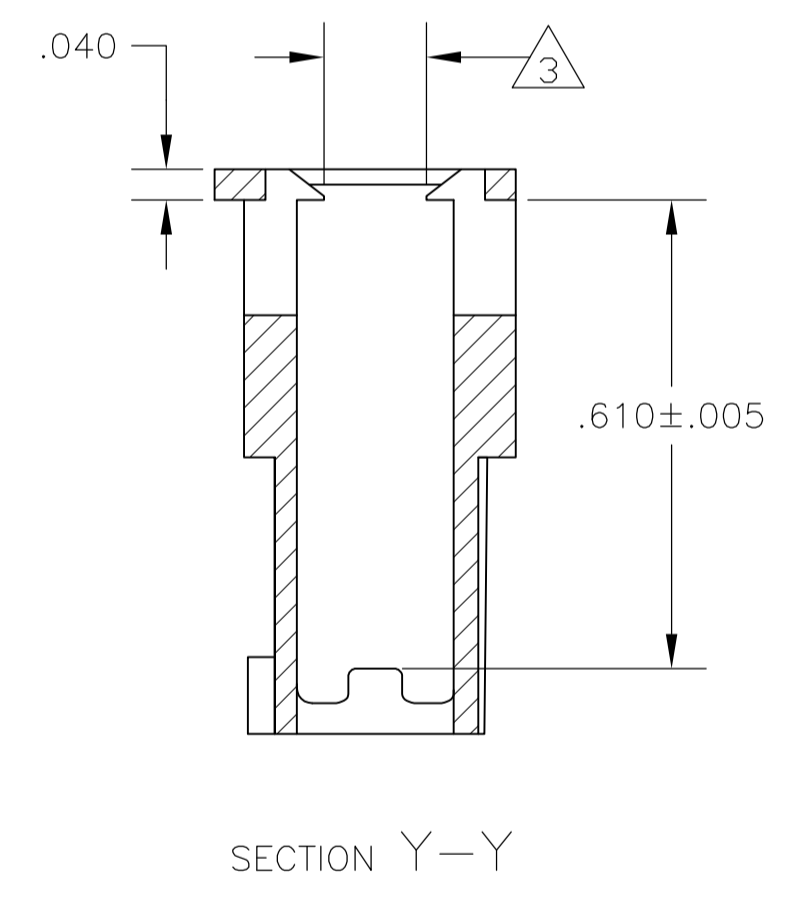
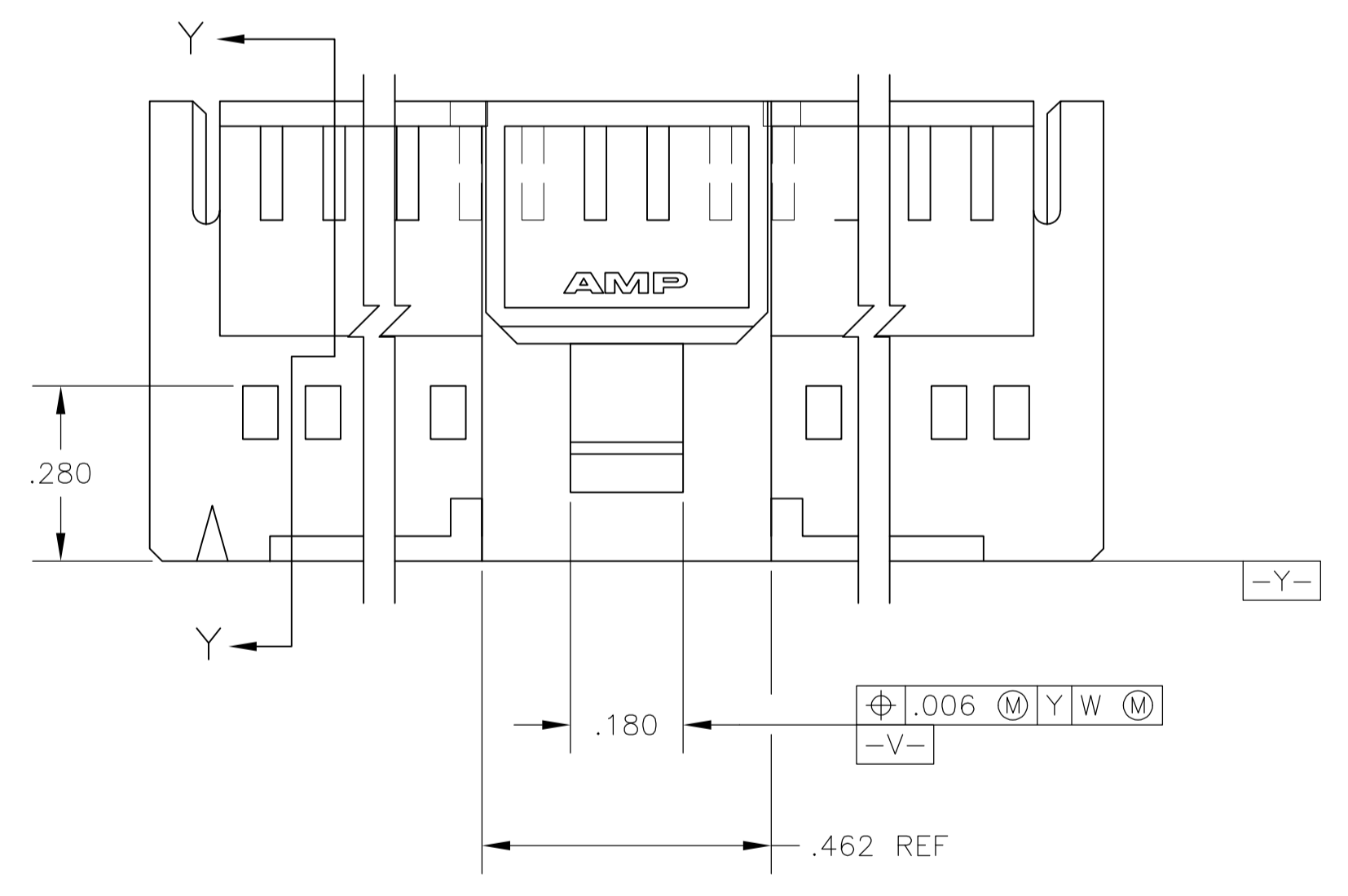
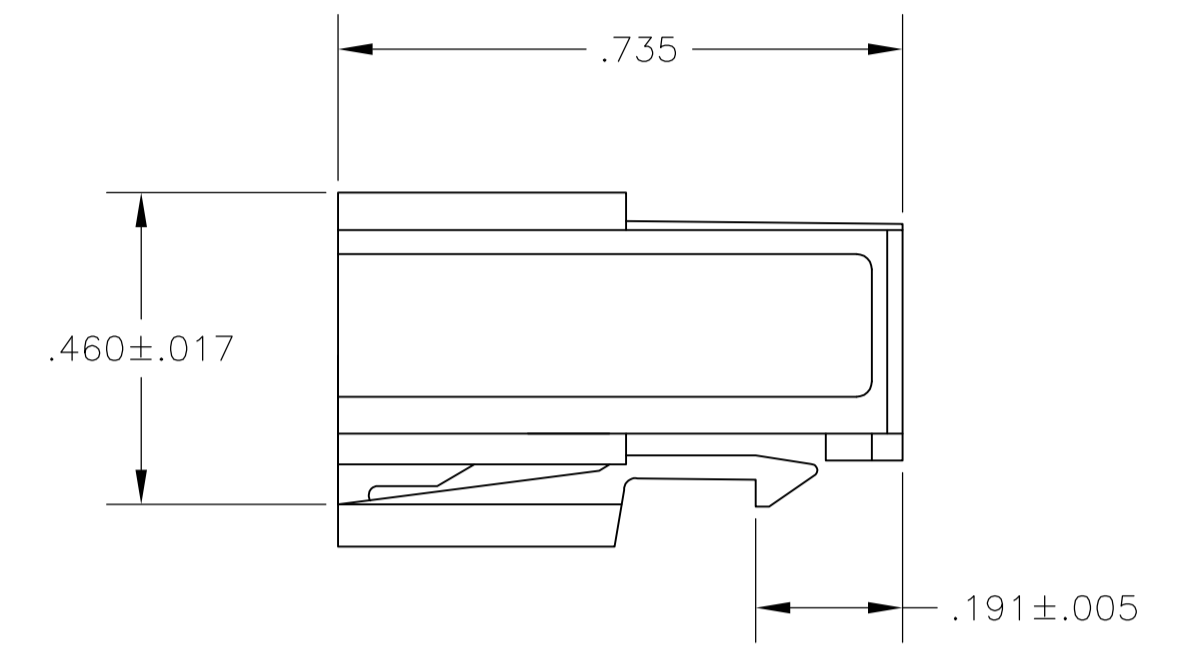
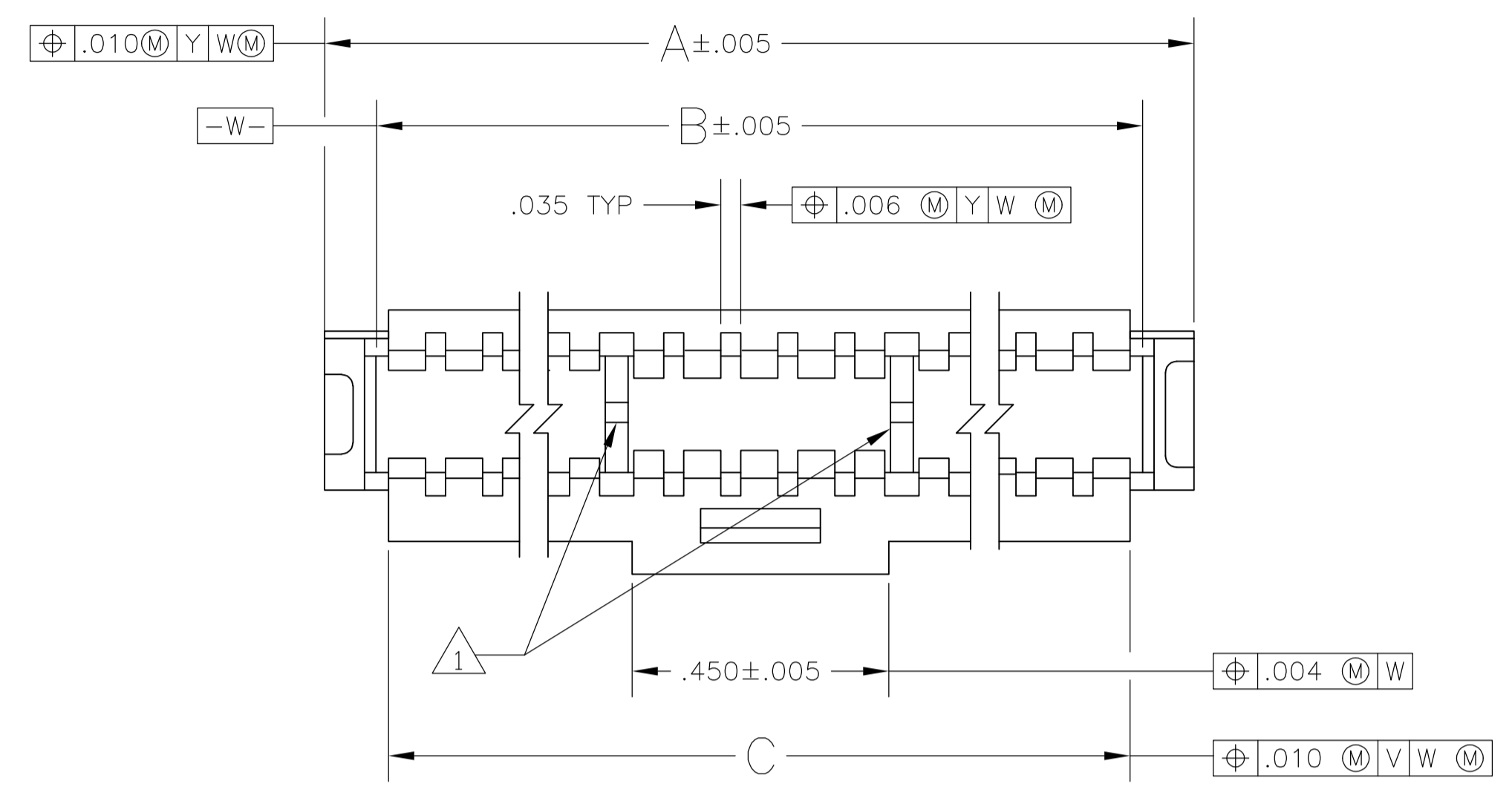
Tel: +86-755-8981 8866 Fax: +86-755-8427 6832

Email & Skype: info@chipsmall.com Web: www.chipsmall.com

Address: A1208, Overseas Decoration Building, #122 Zhenhua RD., Futian, Shenzhen, China



- 1 SEE TABLE FOR RIB QTY
- 2 THIS COUPLING SHROUD IS TO BE USED WITH AMPMODU[®] MTE RECEPTACLE ASSEMBLIES WITH GUIDE RIBS THE NUMBER OF POSITIONS LISTED EQUALS THE TOTAL NUMBER OF POSITIONS WHICH CAN BE CONTAINED WITHIN THE COUPLING SHROUD
- 3 .133 BETWEEN RIBS REFERENCED BY NOTE 1 ONLY. .153 ON ENDS (AREAS OUTSIDE OF THE RIBS).
- 4 OBSOLETE PARTS: OBSOLETE CIS STREAMLINING PER D.RENAUD/D.SINISI



	2.460	2.505	2.685	2	50	1-104500-1
	1.960	2.005	2.085	2	40	1-104500-0
OBsolete	1.660	1.705	1.885	2	34	1-104500-9
	1.560	1.605	1.785	2	32	1-104500-8
OBsolete	1.460	1.505	1.685	2	30	1-104500-7
	1.360	1.405	1.585	2	28	1-104500-6
	1.260	1.305	1.485	2	26	1-104500-5
	1.160	1.205	1.385	2	24	1-104500-4
	1.060	1.105	1.285	2	22	1-104500-3
	.960	1.005	1.185	2	20	1-104500-2
OBsolete	.860	.905	1.085	2	18	1-104500-1
	C	B	A	NO OF RIBS	NO OF POSN	PART NUMBER

THIS DRAWING IS A CONTROLLED DOCUMENT. DIN D KEITZER 01DEC88. CHK S SHUEY 07DEC88. APVD C SINISI 14DEC88.

TE Connectivity

COUPLING SHROUD, AMPMODU[®] MTE, DOUBLE ROW, .100X.100 CL

108-25034

114-25026

A1 00779 104500

CUSTOMER DRAWING SCALE 4:1 SHEET 1 OF 1 REV L2