



Chipsmall Limited consists of a professional team with an average of over 10 year of expertise in the distribution of electronic components. Based in Hongkong, we have already established firm and mutual-benefit business relationships with customers from,Europe,America and south Asia,supplying obsolete and hard-to-find components to meet their specific needs.

With the principle of “Quality Parts,Customers Priority,Honest Operation,and Considerate Service”,our business mainly focus on the distribution of electronic components. Line cards we deal with include Microchip,ALPS,ROHM,Xilinx,Pulse,ON,Everlight and Freescale. Main products comprise IC,Modules,Potentiometer,IC Socket,Relay,Connector.Our parts cover such applications as commercial,industrial, and automotives areas.

We are looking forward to setting up business relationship with you and hope to provide you with the best service and solution. Let us make a better world for our industry!



Contact us

Tel: +86-755-8981 8866 Fax: +86-755-8427 6832

Email & Skype: info@chipsmall.com Web: www.chipsmall.com

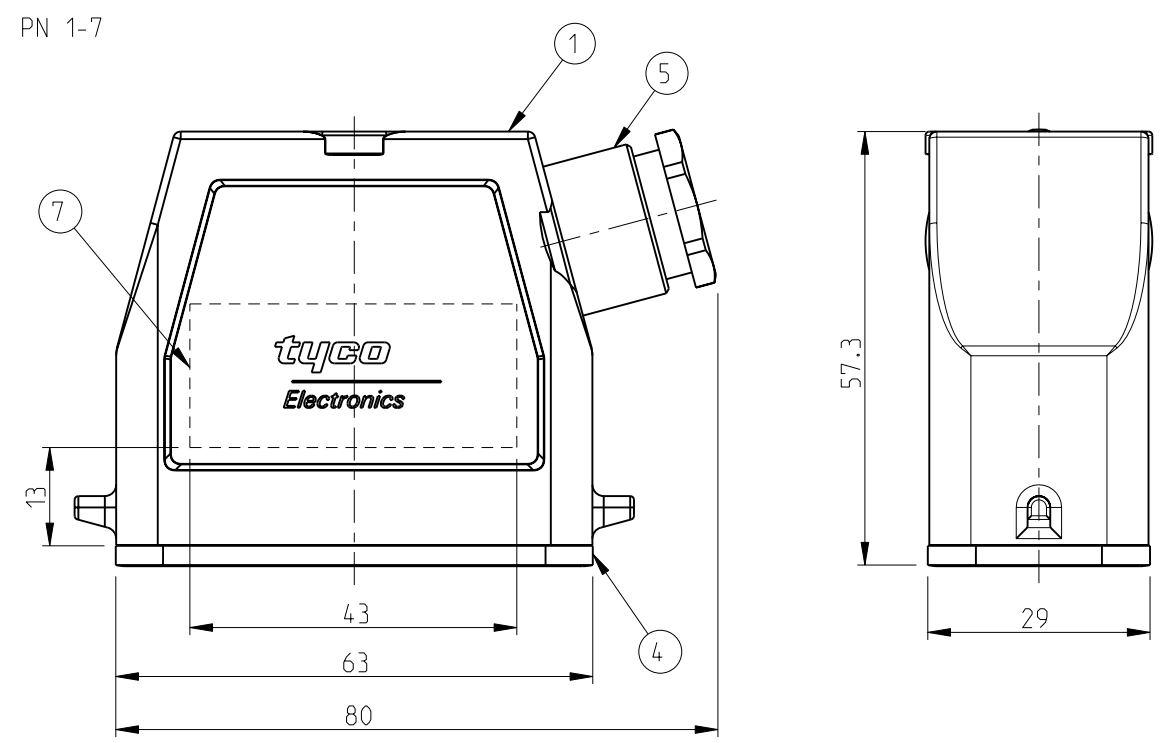
Address: A1208, Overseas Decoration Building, #122 Zhenhua RD., Futian, Shenzhen, China



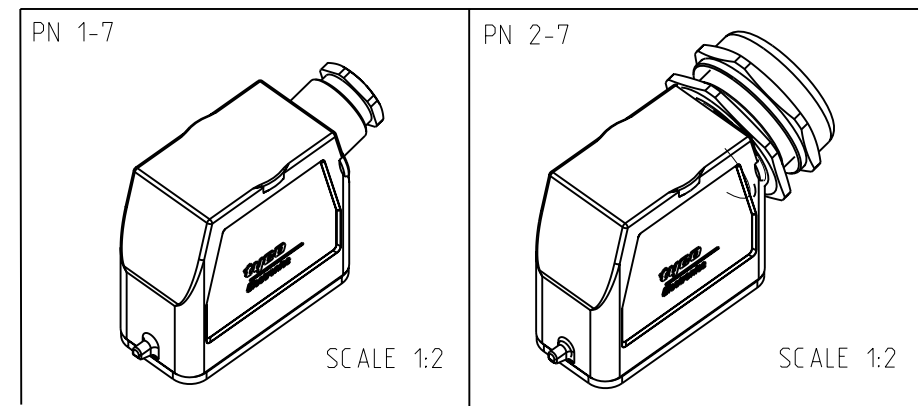
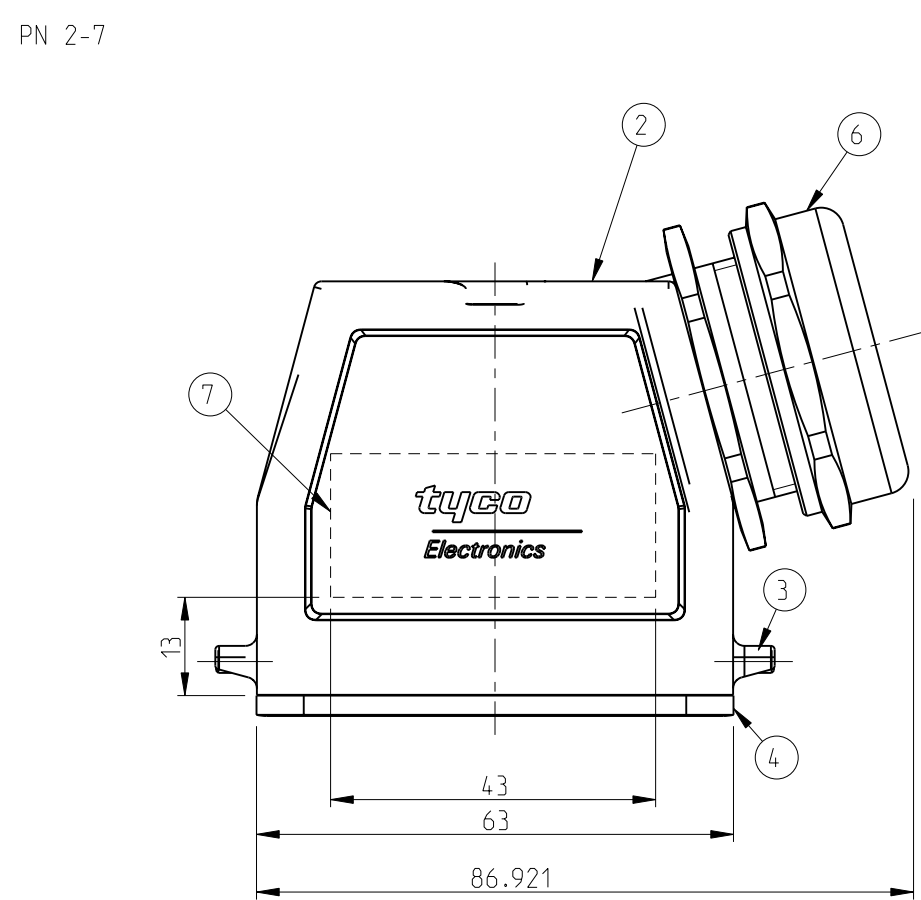
THIS DRAWING IS UNPUBLISHED. RELEASED FOR PUBLICATION .2000

© COPYRIGHT 2000 BY TYCO ELECTRONICS CORPORATION. ALL RIGHTS RESERVED.

| LOC | DIST | REVISIONS | | | |
|-----|------|-------------|-------------------------------|-------------|-------|
| P | LTR | DESCRIPTION | DATE | DWN | APVD |
| A1 | - | B2 | RELEASED AS PER ECR-09-005170 | 05.MAR.2009 | GG TS |



- NOTES
- 1 PACKAGING
PACKAGING QUANTITY:5 PIECES PER BOX
 - 2 MATERIAL:HOUSING ALUMINIUM DIECASTING ALLOY
 - 3 SURFACE:VARNISH-GREY
 - 4 VARNISH ON THE INSIDE NOT NECESSARY



| 2-7 | 1-7 | DESCRIPTION | MATERIAL | SURFACE | COLOR | ITEM NO | REMARKS |
|-----|-----|---------------------|----------------|-----------------|-------|---------|---------|
| 2 | 2 | INSULATING TAPE | PVC | - | GREY | 7 | |
| 1 | - | CABLE FITTING | BRASS | NICKEL PLATED | BLUE | 6 | PG16 |
| - | 1 | CABLE FITTING ROUND | BRASS | NICKEL PLATED | BLUE | 5 | PG16 |
| 1 | 1 | PROFILE SEAL | NEOPRENE | - | BLACK | 4 | |
| 2 | - | CLIP BOLT | STAINLES STEEL | BLANK | - | 3 | |
| 1 | - | HOOD | ALUMINIUM | ALUMINIUM OXIDE | BLACK | 2 | |
| - | 1 | HOOD | ALUMINIUM | - | GREY | 1 | |

THIS DRAWING IS A CONTROLLED DOCUMENT FOR TYCO ELECTRONICS CORPORATION IT IS SUBJECT TO CHANGE AND THE CONTROLLING ENGINEERING ORGANIZATION SHOULD BE CONTACTED FOR THE LATEST REVISION.

| | | | |
|-------------|--|--|---|
| DIMENSIONS: | | TOLERANCES UNLESS OTHERWISE SPECIFIED: | |
| mm | | 0 PLC | ± |
| | | 1 PLC | ± |
| | | 2 PLC | ± |
| | | 3 PLC | ± |
| | | 4 PLC | ± |
| | | ANGLES | ± |
| MATERIAL | | FINISH | |
| | | | |

| | | | |
|------------------|--------------|-----------|---|
| DWN | S.KUMAR | 2/23/2006 | Tyco Electronics, AMP.GmbH 53757 Sankt Augustin, Germany |
| CHK | R.SRINIVAS | 2/23/2006 | |
| APVD | T.SCHNURPFEL | 2/23/2006 | |
| PRODUCT SPEC | 108-74009 | | |
| APPLICATION SPEC | | | NAME |
| 114-74001 | | | HOOD HA.10.STS.1.16 |
| WEIGHT | - | | SIZE |
| CUSTOMER DRAWING | | | A3 |
| | | | CAGE CODE |
| | | | 00779 |
| | | | DRAWING NO |
| | | | 1102115 |
| | | | RESTRICTED TO |
| | | | |
| SCALE | | | 1:1 |
| SHEET | | | 1 OF 1 |
| REV | | | B2 |