



Chipsmall Limited consists of a professional team with an average of over 10 year of expertise in the distribution of electronic components. Based in Hongkong, we have already established firm and mutual-benefit business relationships with customers from,Europe,America and south Asia,supplying obsolete and hard-to-find components to meet their specific needs.

With the principle of "Quality Parts,Customers Priority,Honest Operation,and Considerate Service",our business mainly focus on the distribution of electronic components. Line cards we deal with include Microchip,ALPS,ROHM,Xilinx,Pulse,ON,Everlight and Freescale. Main products comprise IC,Modules,Potentiometer,IC Socket,Relay,Connector.Our parts cover such applications as commercial,industrial, and automotives areas.

We are looking forward to setting up business relationship with you and hope to provide you with the best service and solution. Let us make a better world for our industry!



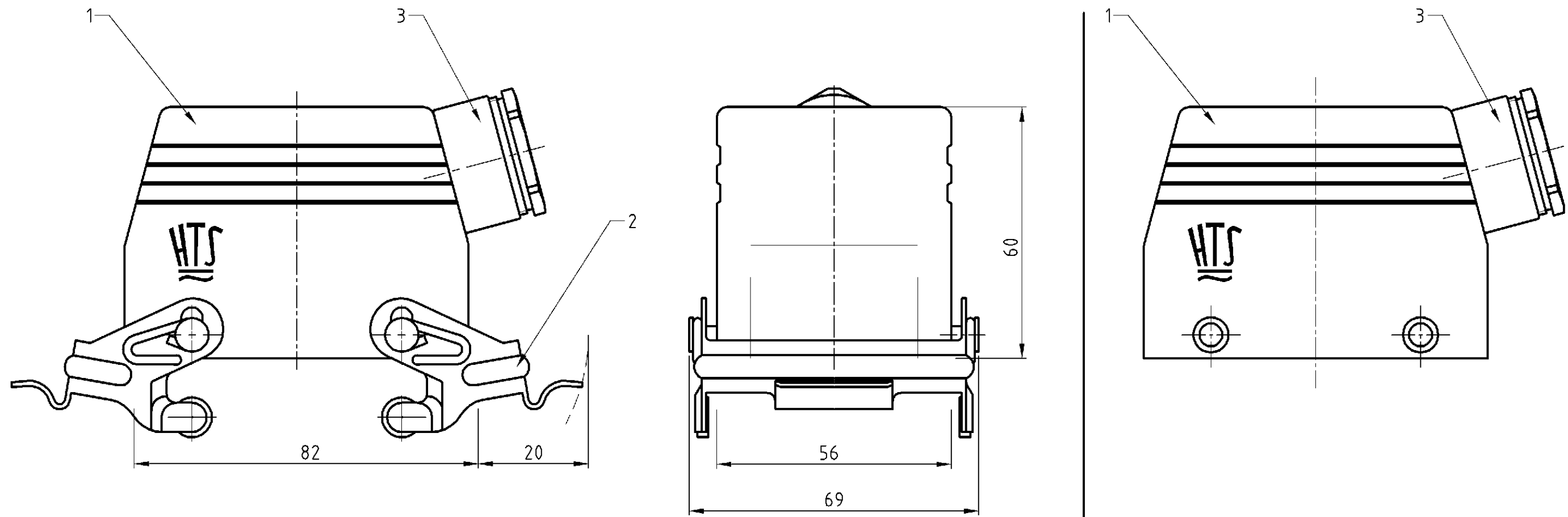
Contact us

Tel: +86-755-8981 8866 Fax: +86-755-8427 6832

Email & Skype: info@chipsmall.com Web: www.chipsmall.com

Address: A1208, Overseas Decoration Building, #122 Zhenhua RD., Futian, Shenzhen, China





- Notes
- ① Material: Housing: aluminium diecasting alloy
 - ② Surface: Varnish grey
 - ③ Varnish on the inside not necessarily

④ Packaging quantity 5 piece

1	1	Kabelverschraubung rund / cable fitting round	Messing/brass	vernickelt/nickel plated	blau/blue	3	Pg21
	2	VS-Bügel/side clip	Stahl/steel	verzinkt/zink plated	blau/blue	2	
1	1	Steckergehäuse HA/hood	Aluminium/ALU		grey/grau	1	

1-6	1-1	DESCRIPTION / BENENNUNG	MATERIAL	SURFACE / OBERFLÄCHE	COLOR / FARBE	ITEM NO. POS.	REMARKS / BEMERKUNGEN
HA.32.STS.121	HA.32.STS-VS.121	<small>THIS DRAWING IS A CONTROLLED DOCUMENT FOR AMP INCORPORATED. IT IS SUBJECT TO CHANGE AND THE CONTROLLING ENGINEERING ORGANIZATION SHOULD BE CONTACTED FOR THE LATEST REVISION. DIESES ZEICHNUNGSDOKUMENT WIRD DURCH AMP INCORPORATED KONTROLLIERT. AENDERUNGEN, DIE DEM TECHNISCHEN FORTSCHRITT DIENEN, SIND VORBEHALTEN. DEN JEWELNS LETZTGÜELTIGEN AENDERUNGSSTAND ERFAHREN SIE AUF ANFRAGE.</small>		DWN Schneider 06.04.05	HTS Elektrotechnik 53819 Neunkirchen, Germany		
		DIMENSIONS: DIMENSIONEN: mm 	TOLERANCES UNLESS OTHERWISE SPECIFIED: ALLGEMEINTOLERANZEN n. ISO 8015 n. ISO 2768 - mH - E n. DIN 16901 - 140 0 PLC # 1 PLC # 2 PLC # 3 PLC #	CHK Schweiger 02.05.05			
ORDERING TEXT / BESTELLTEXT		MATERIAL		APVD -	NAME Hood		
		MATERIAL		PRODUCT SPEC PRODUKTSPEZ. -	Steckergehäuse HA.32.STS.121		
		MATERIAL		APPLICATION SPEC VERARBEITUNGSSPEZ. -	SIZE A3	CAGE CODE 00779	DRAWING NO ZEICHNUNGS-NR. C-1102153
		MATERIAL		FINISH / OBERFLÄCHE / FARBE	WEIGHT GEWICHT -	RESTRICTED TO NUR FUER -	
		MATERIAL		CUSTOMER DRAWING / KUNDENZEICHNUNG	MASSSTAB 1:1	BLATT 1 OF VON 1	REV A1

- Bemerkungen
- ① Material: Gehäuse: Alu-Druckguß-Legierung
 - ② Oberfläche: Lackierung grau
 - ③ Lackierung im Gehäuseinnere ist nicht notwendig