



Chipsmall Limited consists of a professional team with an average of over 10 year of expertise in the distribution of electronic components. Based in Hongkong, we have already established firm and mutual-benefit business relationships with customers from,Europe,America and south Asia,supplying obsolete and hard-to-find components to meet their specific needs.

With the principle of "Quality Parts,Customers Priority,Honest Operation,and Considerate Service",our business mainly focus on the distribution of electronic components. Line cards we deal with include Microchip,ALPS,ROHM,Xilinx,Pulse,ON,Everlight and Freescale. Main products comprise IC,Modules,Potentiometer,IC Socket,Relay,Connector.Our parts cover such applications as commercial,industrial, and automotives areas.

We are looking forward to setting up business relationship with you and hope to provide you with the best service and solution. Let us make a better world for our industry!



Contact us

Tel: +86-755-8981 8866 Fax: +86-755-8427 6832

Email & Skype: info@chipsmall.com Web: www.chipsmall.com

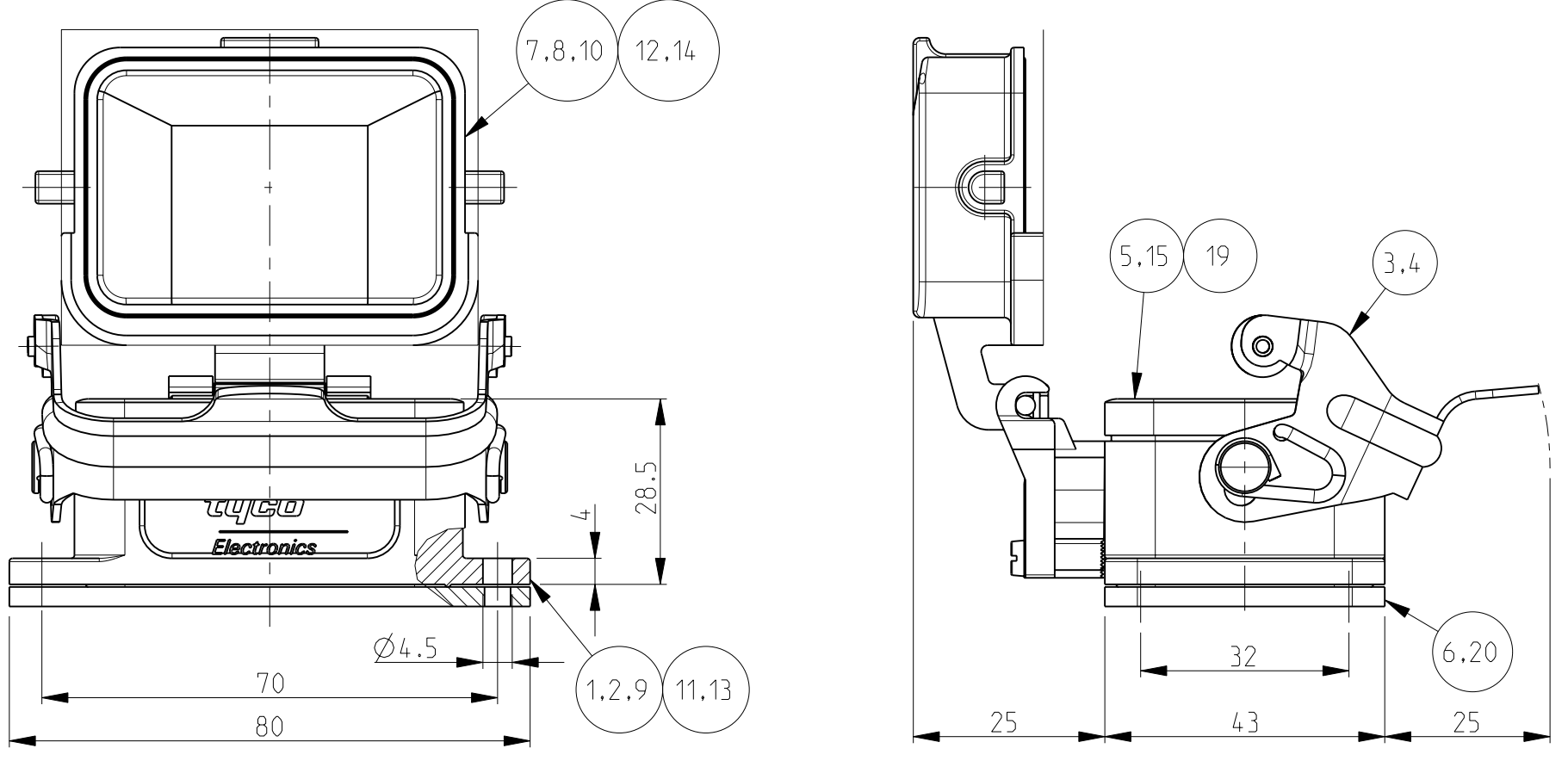
Address: A1208, Overseas Decoration Building, #122 Zhenhua RD., Futian, Shenzhen, China



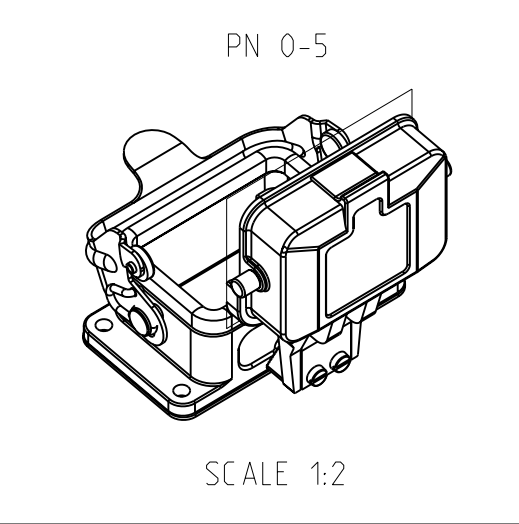
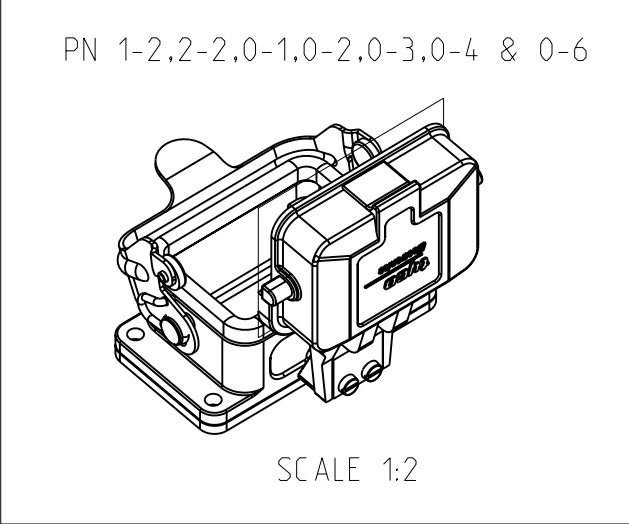
THIS DRAWING IS UNPUBLISHED. RELEASED FOR PUBLICATION .1997
 © COPYRIGHT 1997 BY TYCO ELECTRONICS CORPORATION. ALL RIGHTS RESERVED.

| LOC | | DIST | | REVISIONS | | | |
|-----|-----|-------------------------------|----------|-----------|------|--|--|
| P | LTR | DESCRIPTION | DATE | DWN | APVD | | |
| A | 1 | Released as per ECR-07-030425 | 17.12.07 | SP | TS | | |

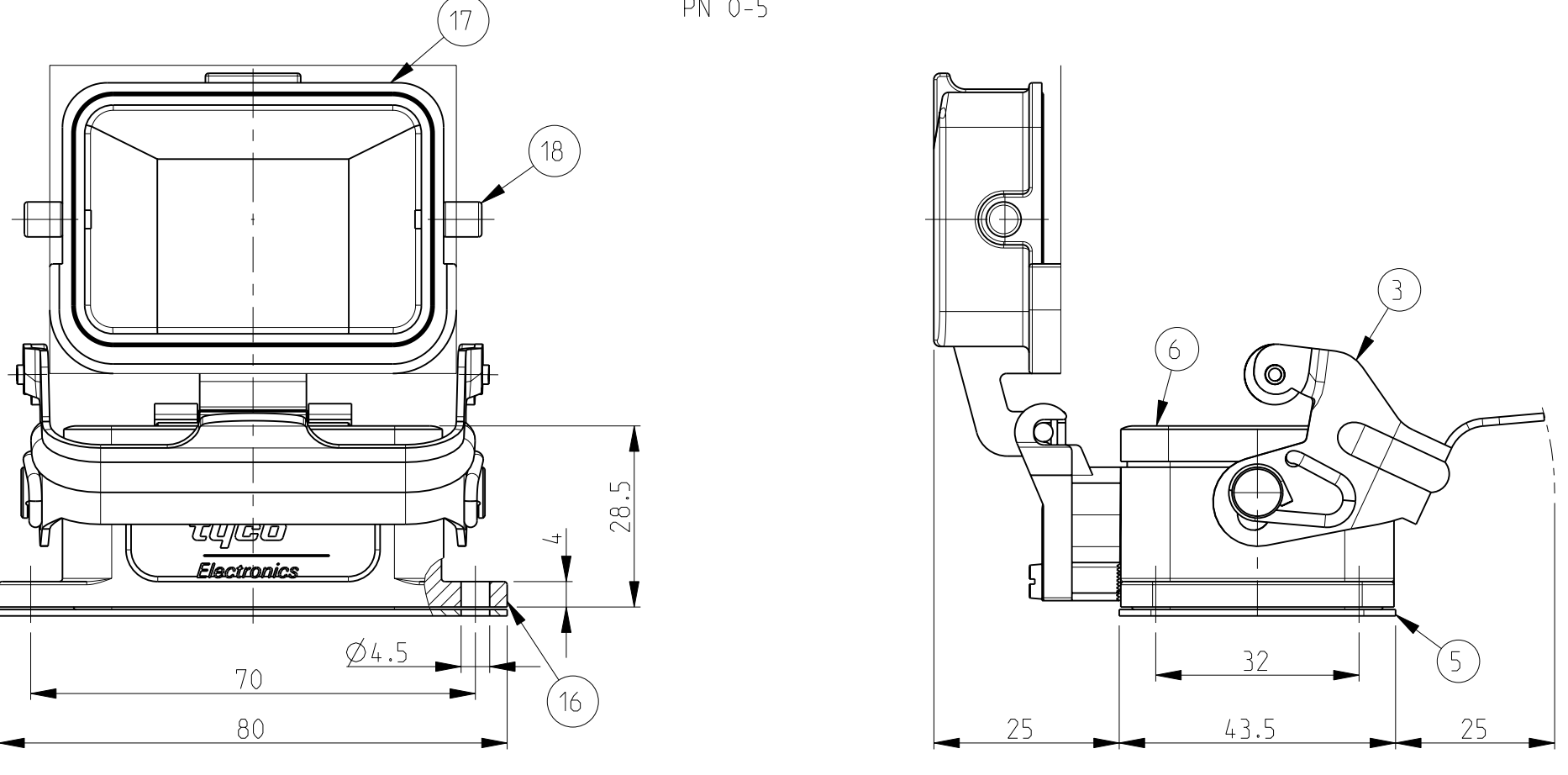
PN 1-2.2-2.0-1.0-2.0-3.0-4 & 0-6



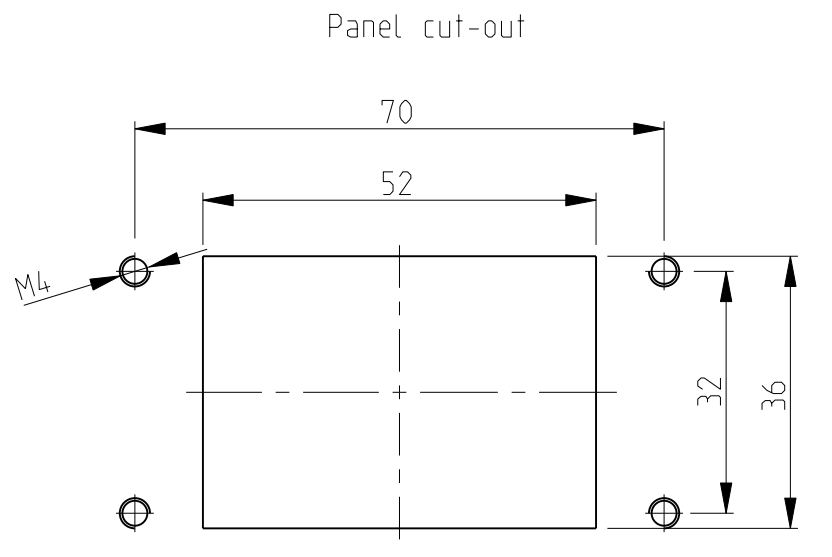
- NOTES.
- 1 Material:Housing:Aluminium Diecasting Alloy
Seals :Neoprene: Viton
 - 2 Surface: Varnish-Grey/fire-red /alu-colored
-Aluminium Oxide +
Varnish Black
ChromiAL TCP-Passivation
 - 3 Varnish on the inside not necessary
 - 4 Packaging
Quantity 5 Pieces in a box
 - 5 Without TE product sign
 - 6 Special Packaging
Quantity 50 Pieces in a Kanban box



PN 0-5



| QTY | DESCRIPTION | MATERIAL | SURFACE | COLOR | ITEM NO | NOTES |
|-----|---|-----------------|-----------------|--------------|---------|-----------------|
| 1 | Flange seal | Viton | | Black | 20 | |
| 1 | Profile seal | Viton | | Grey | 19 | |
| 2 | LB Clip bolt | Steel | Zinc plated | Blue | 18 | |
| 1 | Cover HB | Aluminium | | Grey | 17 | Without TE logo |
| 1 | Surface mounted housing bottom entry HB | Aluminium | | Grey | 16 | Without TE logo |
| 1 | Profile seal | Neoprene | | Black | 15 | Conductive |
| 1 | Cover HB-EMV | Aluminium | SEE NOTE | Black | 14 | |
| 1 | Surface mounted housing bottom entry HB-EMV | Aluminium | SEE NOTE | Black | 13 | |
| 1 | Cover HB | Aluminium | | Borning ried | 12 | |
| 1 | Surface mounted housing bottom entry HB | Aluminium | | Borning ried | 11 | |
| 1 | Cover HB | Aluminium | Aluminium oxide | Alu-colored | 10 | |
| 1 | Surface mounted housing bottom entry HB | Aluminium | Aluminium oxide | Alu-colored | 9 | |
| 1 | Cover HB | Aluminium | Aluminium oxide | Black | 8 | |
| 1 | Cover HB | Aluminium | | Grey | 7 | |
| 1 | Flange seal | Neoprene | | Black | 6 | |
| 1 | Profile seal | Neoprene | | Black | 5 | |
| 1 | LB-Side clip HB | Stainless steel | Blank | | 4 | |
| 1 | LB-Side clip HB | Steel | Zinc plated | Blue | 3 | |
| 1 | Surface mounted housing bottom entry HB-K | Aluminium | Aluminium oxide | Black | 2 | |
| 1 | Surface mounted housing bottom entry HB | Aluminium | | Grey | 1 | |



| QTY | DESCRIPTION | MATERIAL | SURFACE | COLOR | ITEM NO | NOTES |
|-----|-----------------|----------|---------|-------|---------|-------|
| 0-6 | HB.6.AGD-LB | | | | | |
| 0-5 | HB-K.6.AGD-LB | | | | | |
| 0-4 | HB-K.6.AGD-LB | | | | | |
| 0-3 | HB.6.AGD-LB.KM | | | | | |
| 0-2 | HB.6.AGD-LB.KM | | | | | |
| 0-1 | HB-EMV.6.AGD-LB | | | | | |
| 2-2 | HB.6.AGD-LB | | | | | |
| 1-2 | HB.6.AGD-LB.V | | | | | |

THIS DRAWING IS A CONTROLLED DOCUMENT FOR TYCO ELECTRONICS CORPORATION
 IT IS SUBJECT TO CHANGE AND THE CONTROLLING ENGINEERING ORGANIZATION
 SHOULD BE CONTACTED FOR THE LATEST REVISION.

DWN: Schneider 23.09.1999
 CHK: Schneider 23.09.1999
 APVD: Schweiger

Tyco Electronics Tyco Electronics,AMP.GmbH
 D-53819,Neunkirchen,Germany

NAME: Surface mounted housing bottom entry HB.6.AGD-LB

PRODUCT SPEC: 108-74001/74003
 APPLICATION SPEC: 114-74004/74005

SIZE: A2 CAGE CODE: 00779 DRAWING NO: 1102246 RESTRICTED TO: -
 WEIGHT: CUSTOMER DRAWING SCALE: 1:1 SHEET: 1 OF 1 REV: A9