



Chipsmall Limited consists of a professional team with an average of over 10 year of expertise in the distribution of electronic components. Based in Hongkong, we have already established firm and mutual-benefit business relationships with customers from,Europe,America and south Asia,supplying obsolete and hard-to-find components to meet their specific needs.

With the principle of “Quality Parts,Customers Priority,Honest Operation,and Considerate Service”,our business mainly focus on the distribution of electronic components. Line cards we deal with include Microchip,ALPS,ROHM,Xilinx,Pulse,ON,Everlight and Freescale. Main products comprise IC,Modules,Potentiometer,IC Socket,Relay,Connector.Our parts cover such applications as commercial,industrial, and automotives areas.

We are looking forward to setting up business relationship with you and hope to provide you with the best service and solution. Let us make a better world for our industry!



Contact us

Tel: +86-755-8981 8866 Fax: +86-755-8427 6832

Email & Skype: info@chipsmall.com Web: www.chipsmall.com

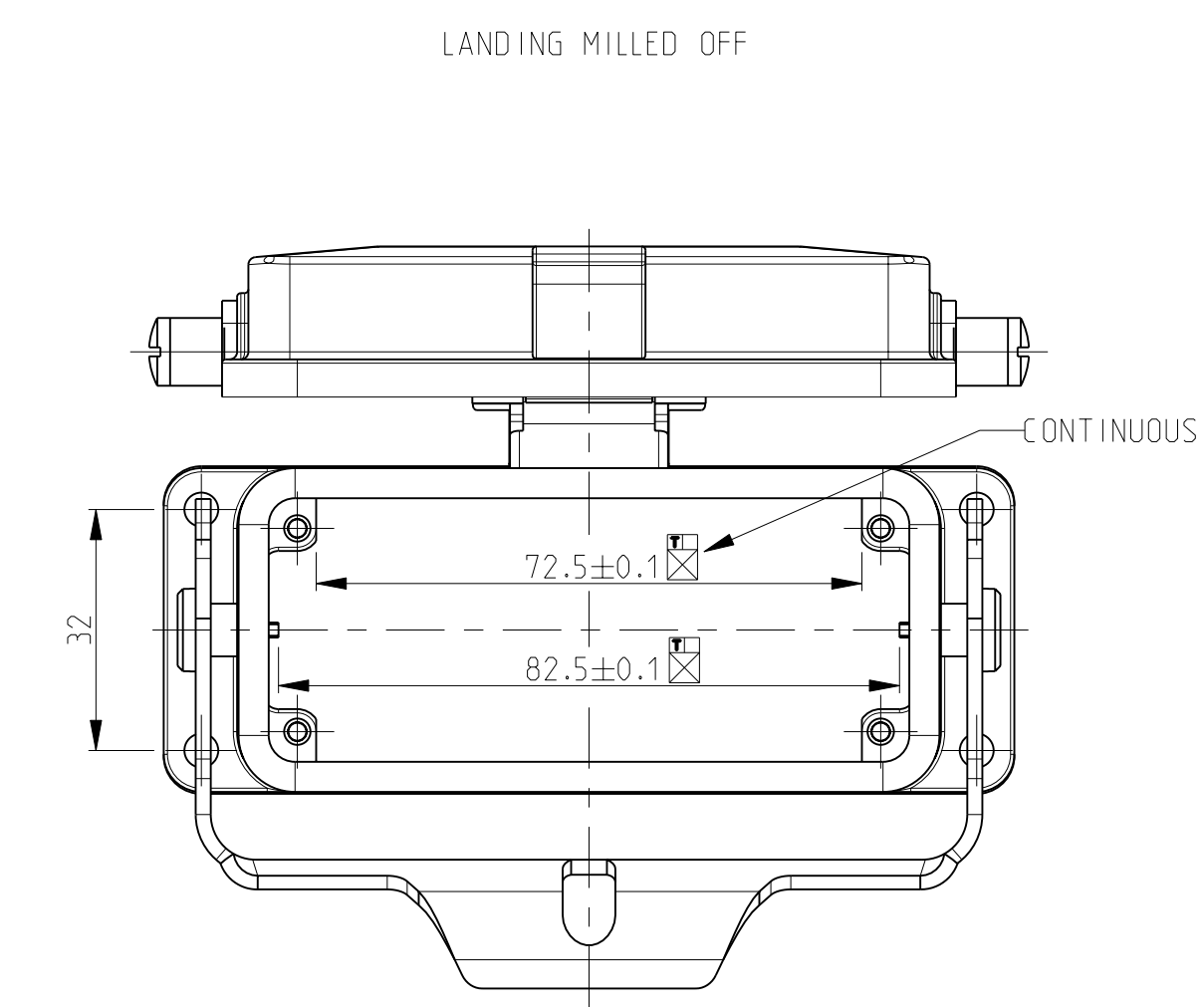
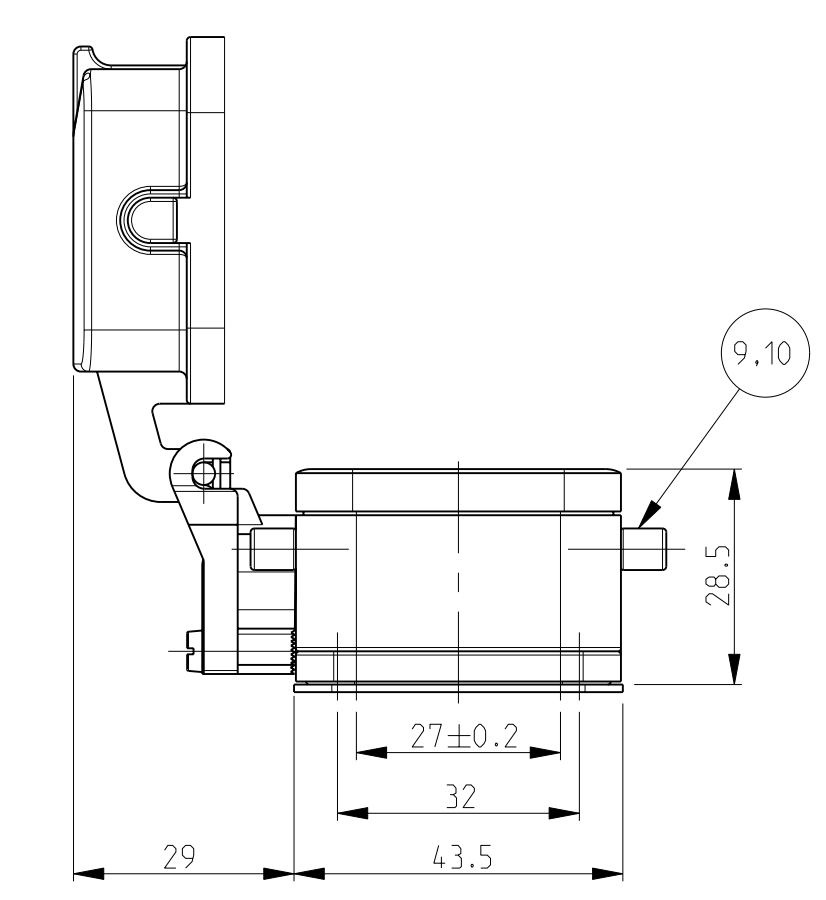
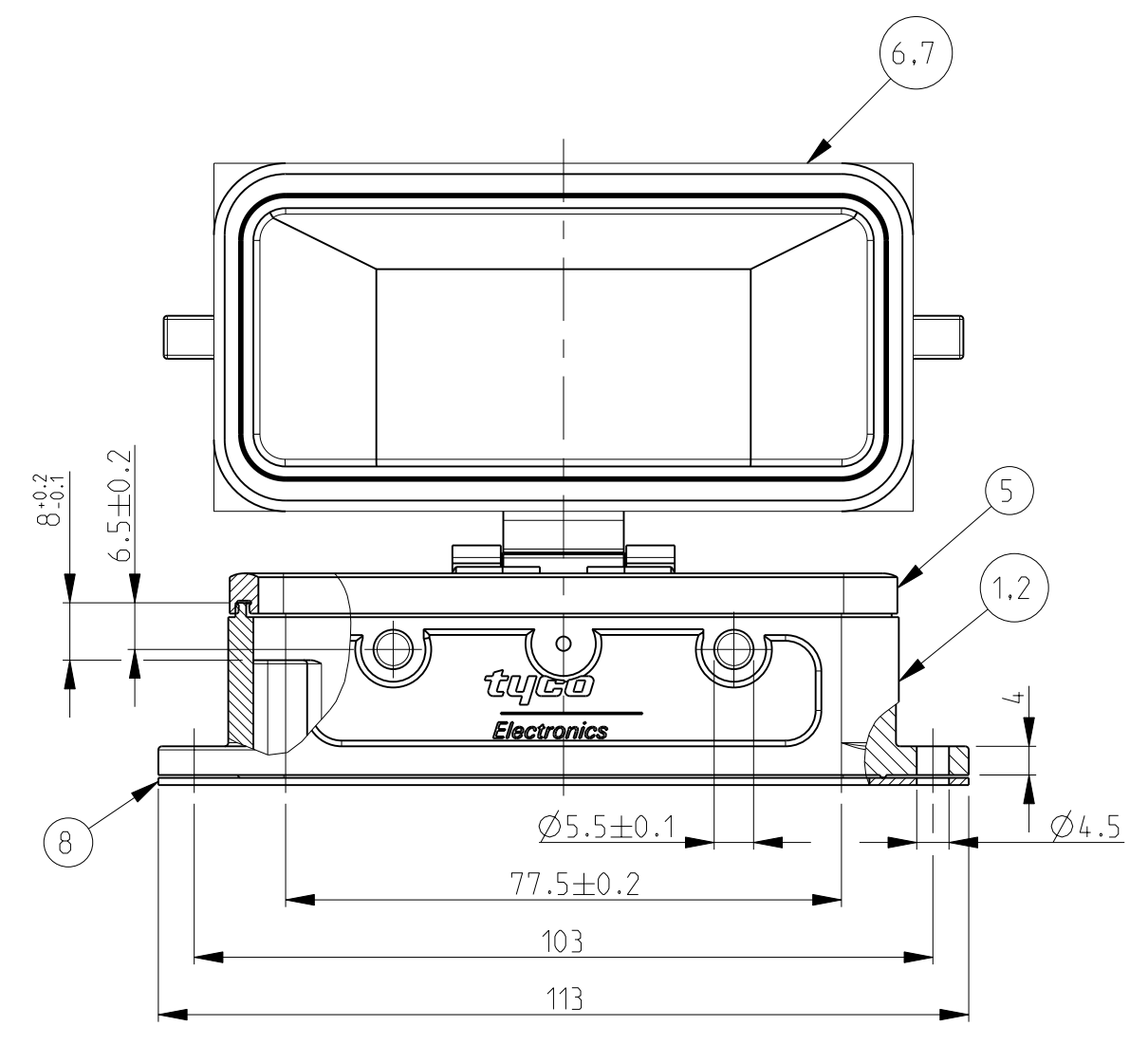
Address: A1208, Overseas Decoration Building, #122 Zhenhua RD., Futian, Shenzhen, China



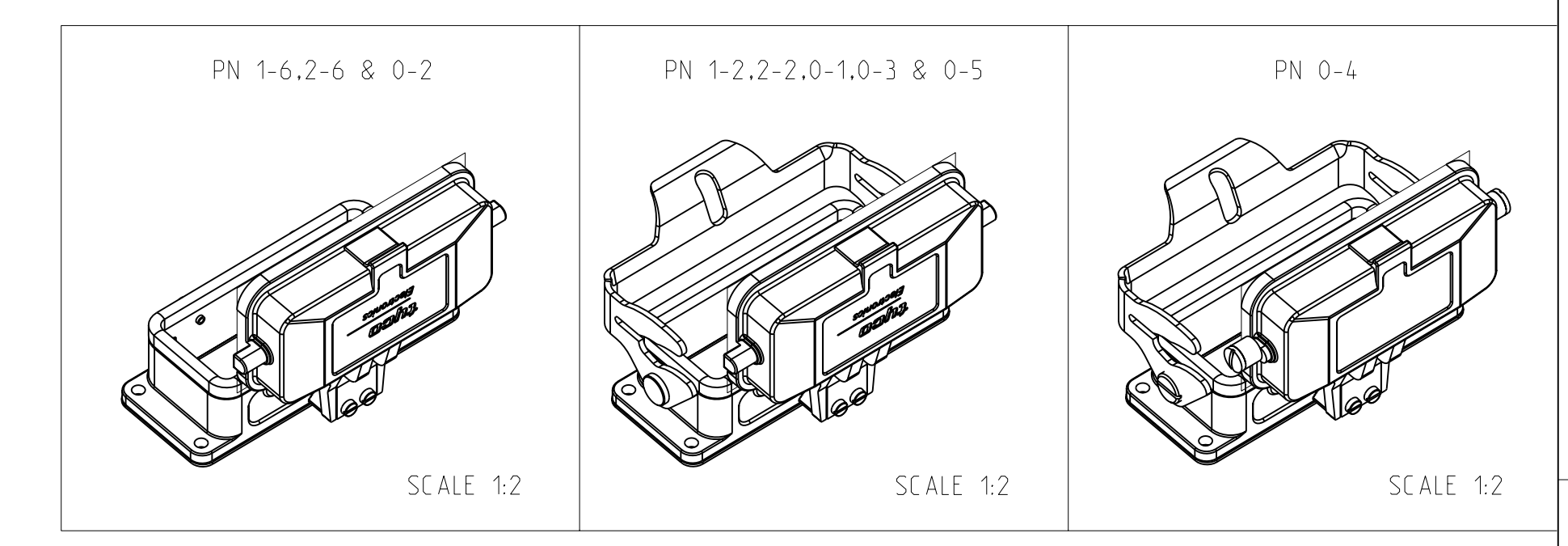
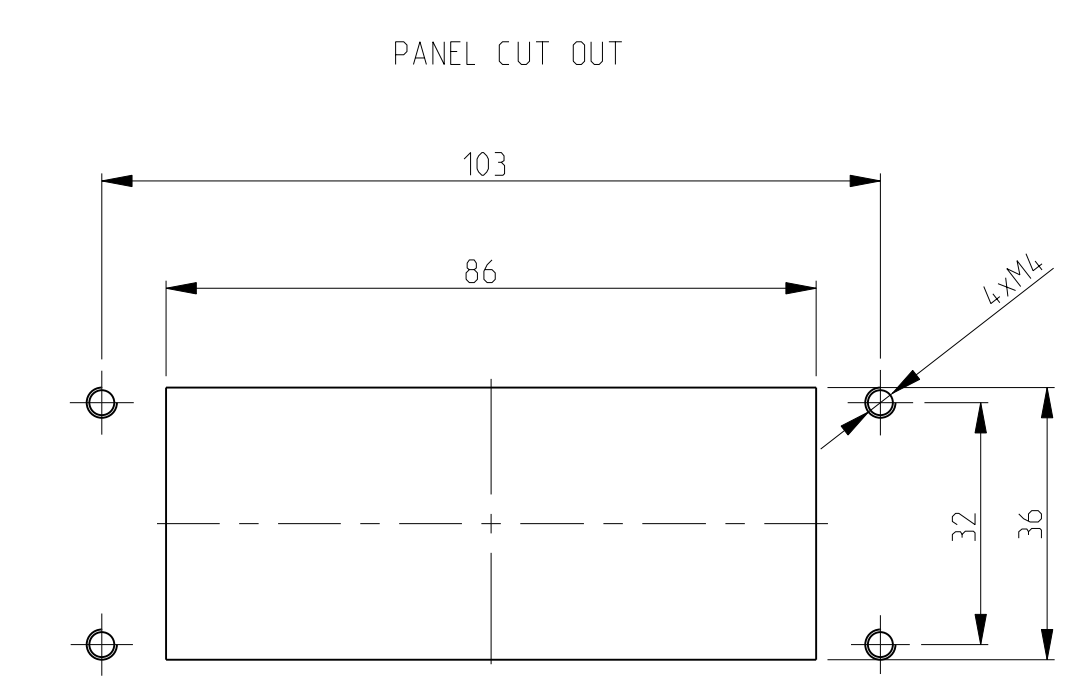
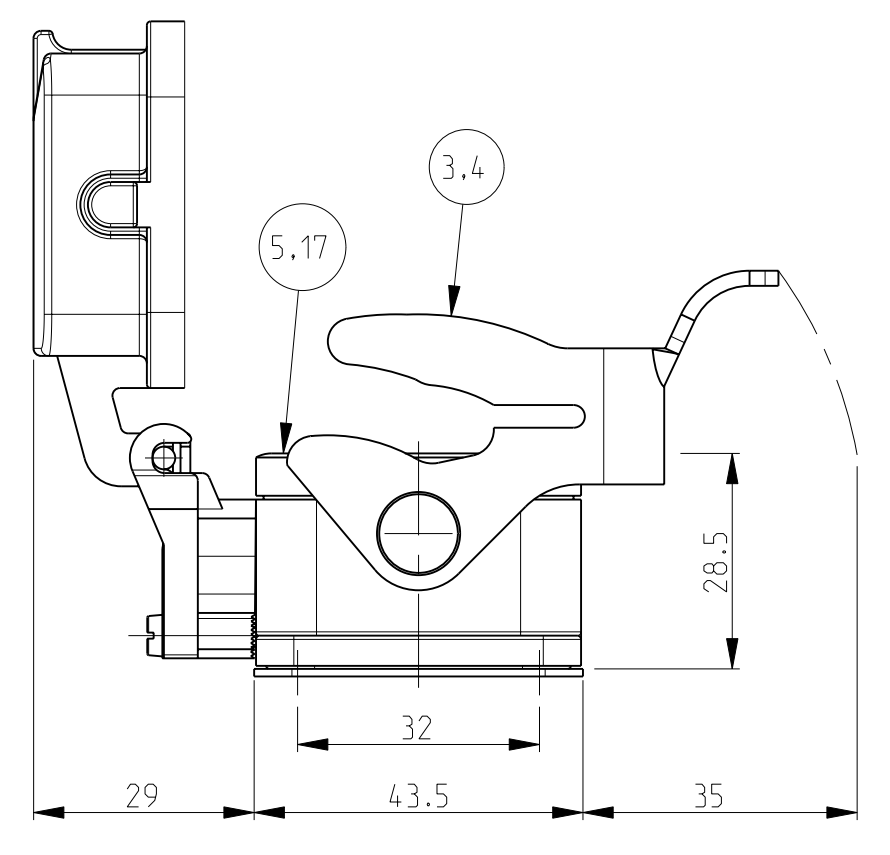
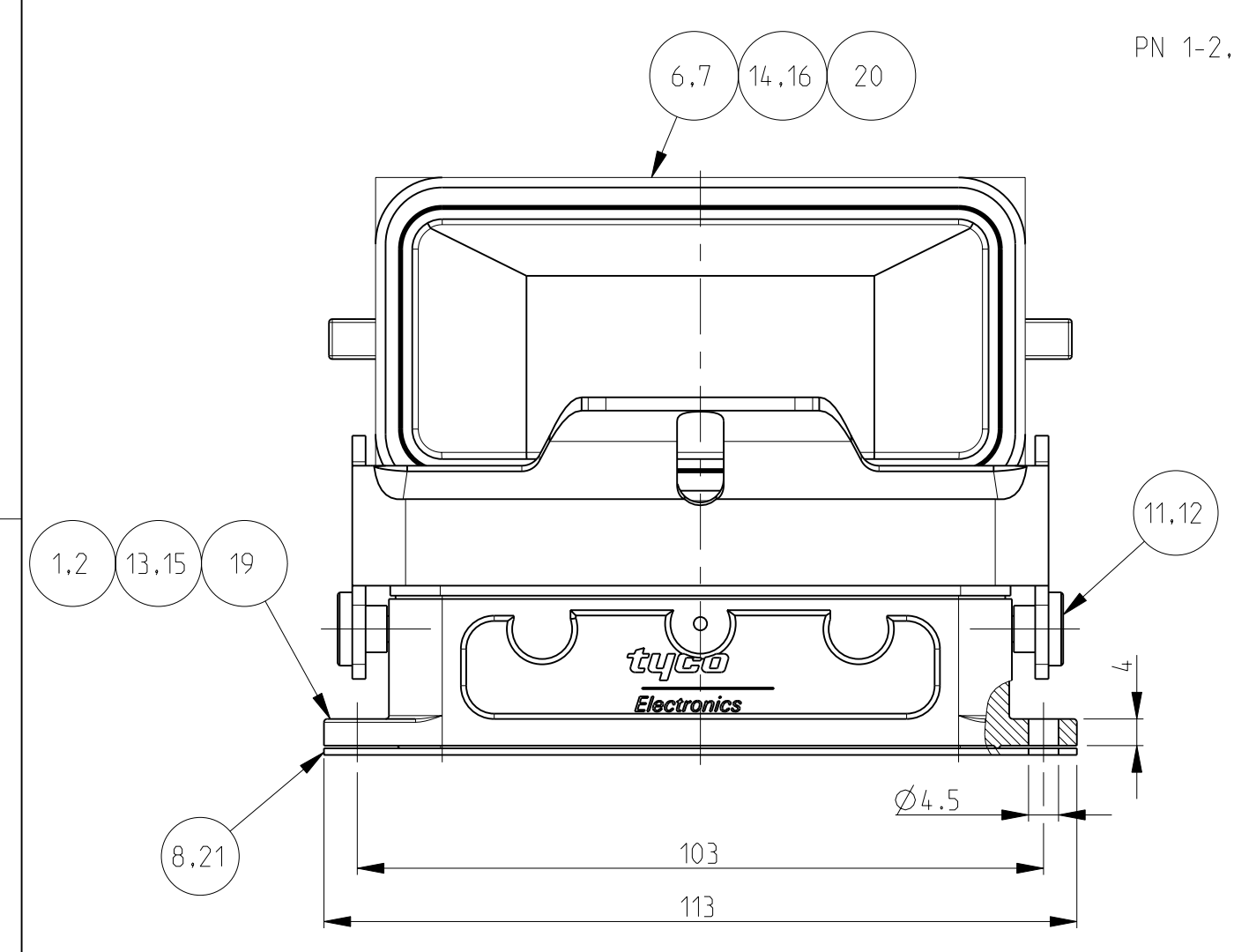
REVISIÖNS		DATE	DWN	APVD	
LOC	DIST				
A1	-				
P	LTB	DESCRIPTION	DATE	DWN	APVD
B8		Released as per ECR-07-030430	17.12.07	SP	TS

- NOTES
- Material:Housing-Aluminium Diecasting Alloy
Seals: Neoprene
 - Surface- Varnish -Grey : Red
-Aluminium Oxide +Varnish Black
-Chromit AL TCP - passivation
 - Varnish on the inside not necessary
 - Packaging Quantity 5 Pieces in a box
 - Special Packaging Quantity 50 pieces in a kan ban box

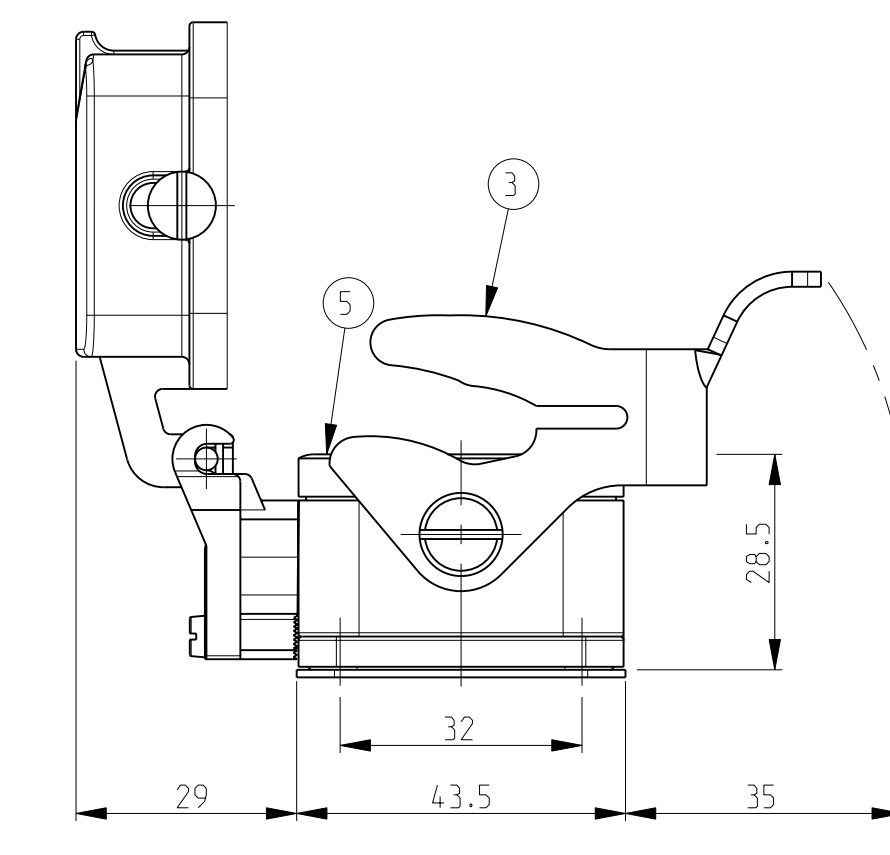
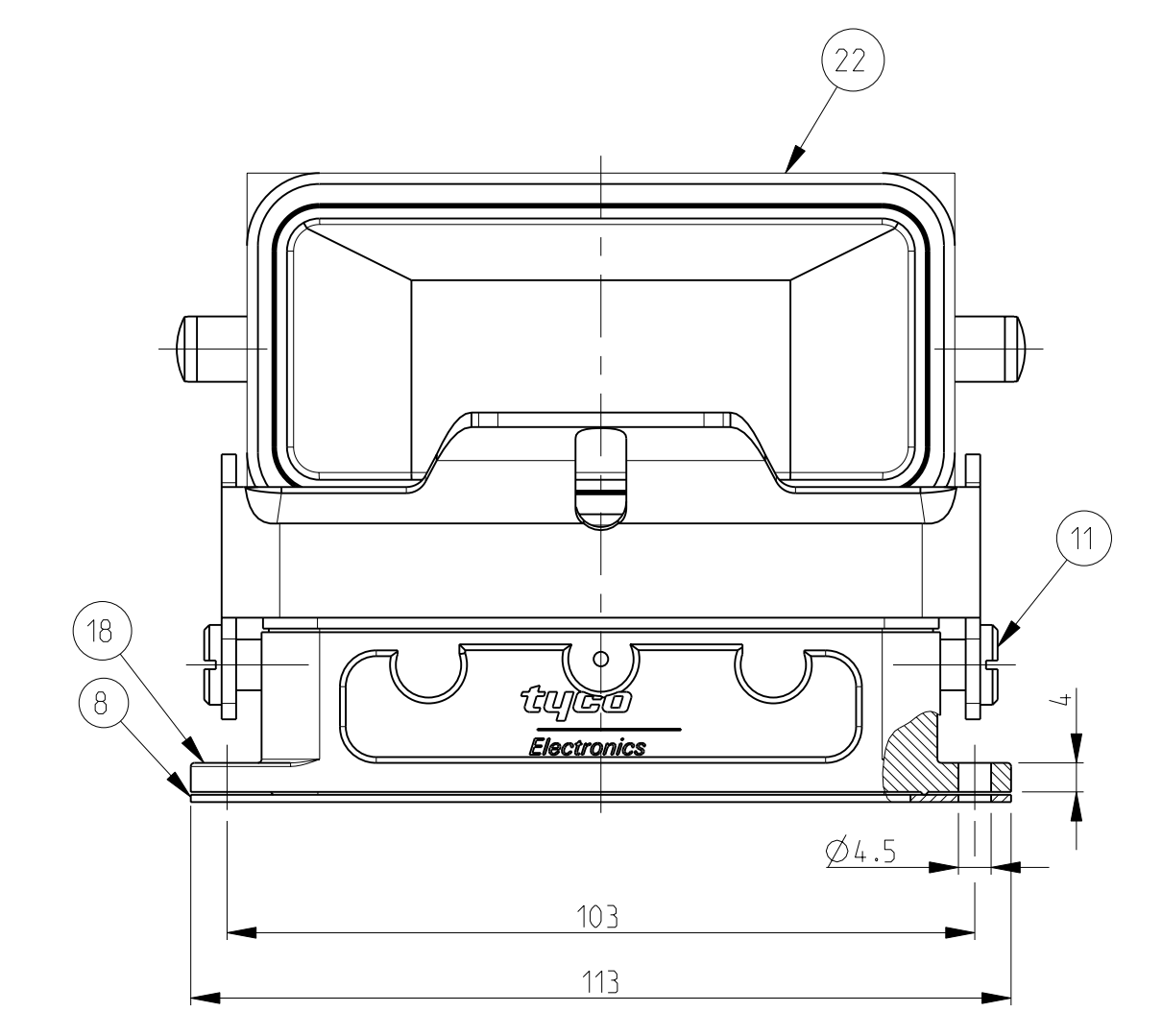
PN 1-6.2-6 & 0-2



PN 1-2.2-2.0-1.0-3 & 0-5



PN 0-4



QTY	DESCRIPTION	MATERIAL	SURFACE	COLOR	ITEM NO	REMARKS								
1	Cover HB	Aluminium		Grey	22	Neutral								
1	Flange Seal	Neoprene		Black	21	Conductive								
1	Cover HB-EMV	Aluminium		Black	20									
1	Surface mounted housing bottom entry HB-EMV	Aluminium	SEE NOTE	Black	19									
1	Surface mounted housing bottom entry HB	Aluminium		Grey	18	Neutral								
1	Profile Seal	Neoprene		Black	17	Conductive								
1	Cover HB-EMV	Aluminium	SEE NOTE	Without varnish	16									
1	Surface mounted housing bottom entry HB-EMV	Aluminium	SEE NOTE	Without varnish	15									
	Cover HB	Aluminium		Red	14									
	Surface mounted housing bottom entry HB	Aluminium		Red	13									
2	LB-Clip Positioner	Stainless Steel	Blank		12									
2	2 LB-Clip Positioner	Steel	Zinc Plated	Blue	11									
	VS-Clip Bolt	Stainless Steel	Blank		10									
	4 VS-Clip Bolt	Steel	Zinc Plated	Blue	9									
1	1 Flange Seal	Neoprene		Black	8									
	1 Cover HB-K	Aluminium	Aluminium Oxide	Black	7									
	1 Cover HB	Aluminium		Grey	6									
1	1 Profile Seal	Neoprene		Black	5									
1	1 LB-Side Clip	Stainless Steel	Blank		4									
1	1 LB-Side Clip	Steel	Zinc Plated	Blue	3									
	1 Surface mounted housing bottom entry HB-K	Aluminium	Aluminium Oxide	Black	2									
	1 Surface mounted housing bottom entry HB	Aluminium		Grey	1									
DESCRIPTION														
0-5	0-4	0-3	0-2	0-1	2-6	1-6	2-2	1-2	DESCRIPTION	MATERIAL	SURFACE	COLOR	ITEM NO	REMARKS
									ORDERING TEXT					
									HB-16.AGD-LB					
									HB-K-16.AGD-LB					
									HB-16.AGD					
									HB-K-16.AGD					
									HB-16.AGD-LB					
									HB-16.AGD.KM					
									HB-EMV-16.AGD-LB					
									HB-16.AGD-LB					
									HB-EMV-16.AGD-LB					

THIS DRAWING IS UNPUBLISHED. RELEASED FOR PUBLICATION 2000. BY TYCO ELECTRONICS CORPORATION. ALL RIGHTS RESERVED.

DWN: Schneider 13.04.2000
CHK: Schweiger 13.04.2000

PRODUCT SPEC: -
APPLICATION SPEC: -
WEIGHT: -

NAME: Surface Mounted Housing Bottom Entry HB-16.AGD

SIZE: A1 | 00779 | C=1102305

CUSTOMER DRAWING | SCALE: 1:1 | SHEET: 1 OF 1 | REV: B8