



Chipsmall Limited consists of a professional team with an average of over 10 year of expertise in the distribution of electronic components. Based in Hongkong, we have already established firm and mutual-benefit business relationships with customers from,Europe,America and south Asia,supplying obsolete and hard-to-find components to meet their specific needs.

With the principle of "Quality Parts,Customers Priority,Honest Operation,and Considerate Service",our business mainly focus on the distribution of electronic components. Line cards we deal with include Microchip,ALPS,ROHM,Xilinx,Pulse,ON,Everlight and Freescale. Main products comprise IC,Modules,Potentiometer,IC Socket,Relay,Connector.Our parts cover such applications as commercial,industrial, and automotives areas.

We are looking forward to setting up business relationship with you and hope to provide you with the best service and solution. Let us make a better world for our industry!



## Contact us

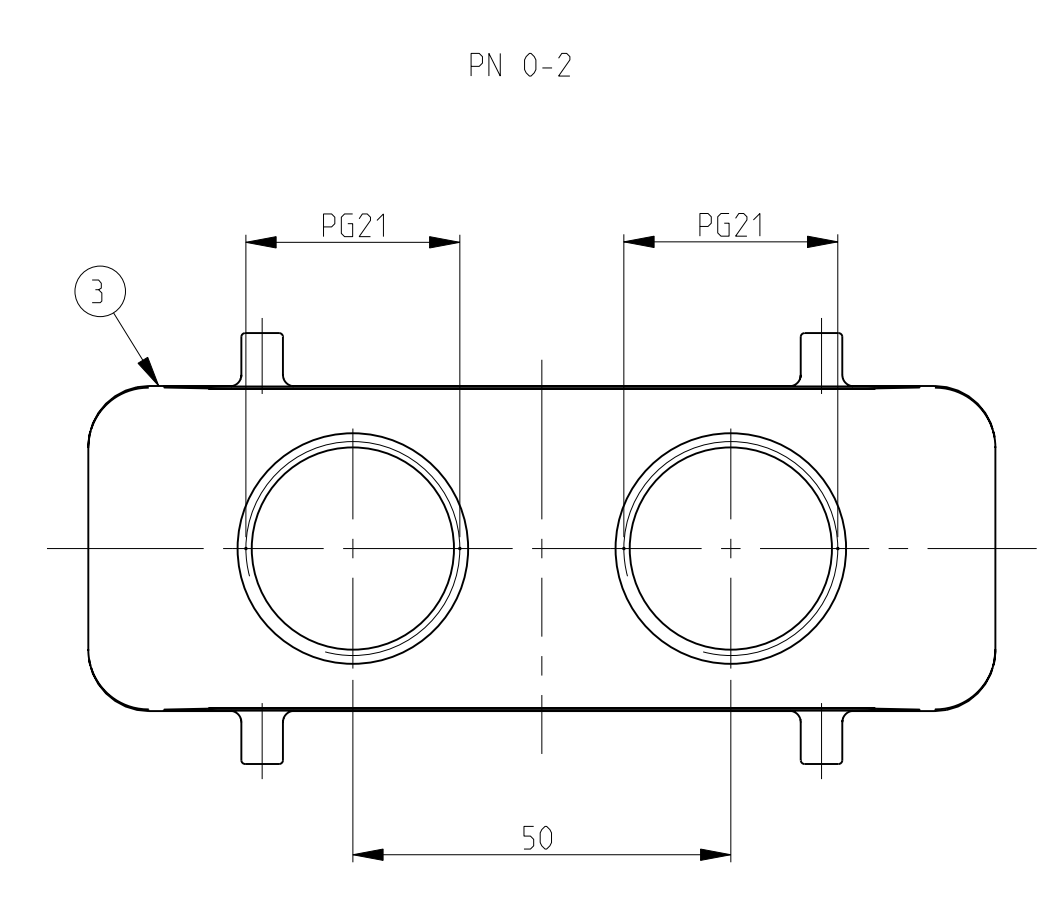
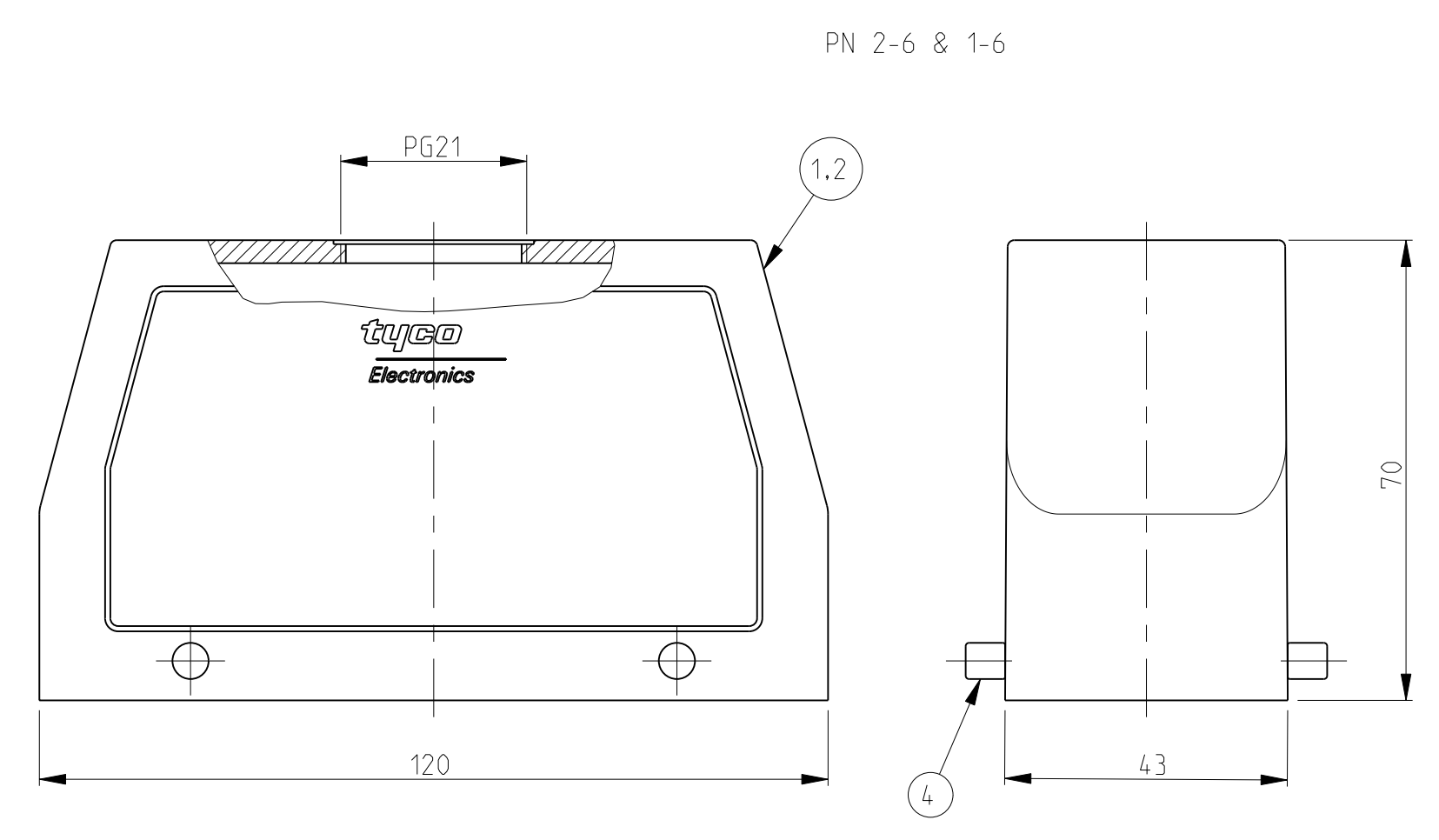
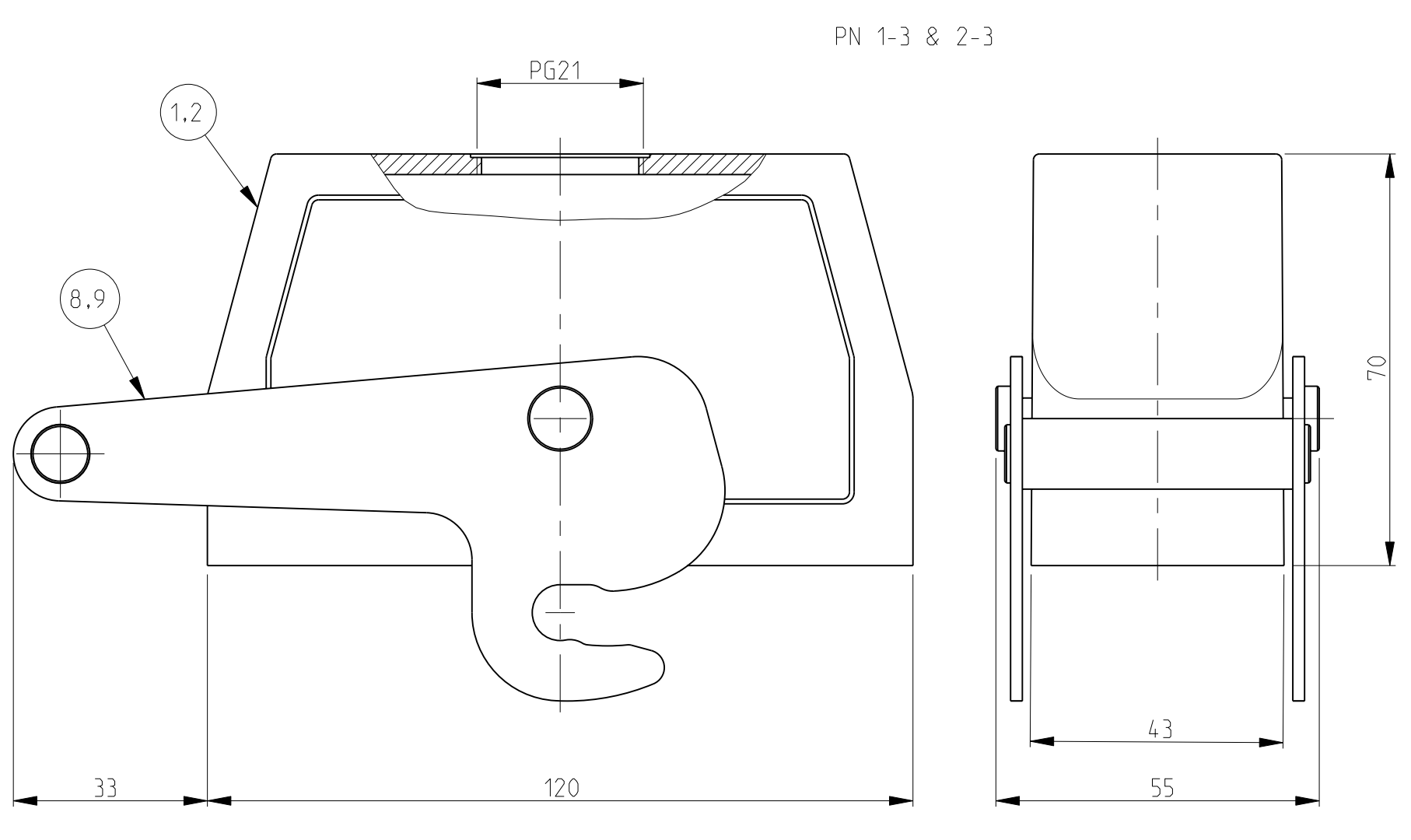
Tel: +86-755-8981 8866 Fax: +86-755-8427 6832

Email & Skype: info@chipsmall.com Web: www.chipsmall.com

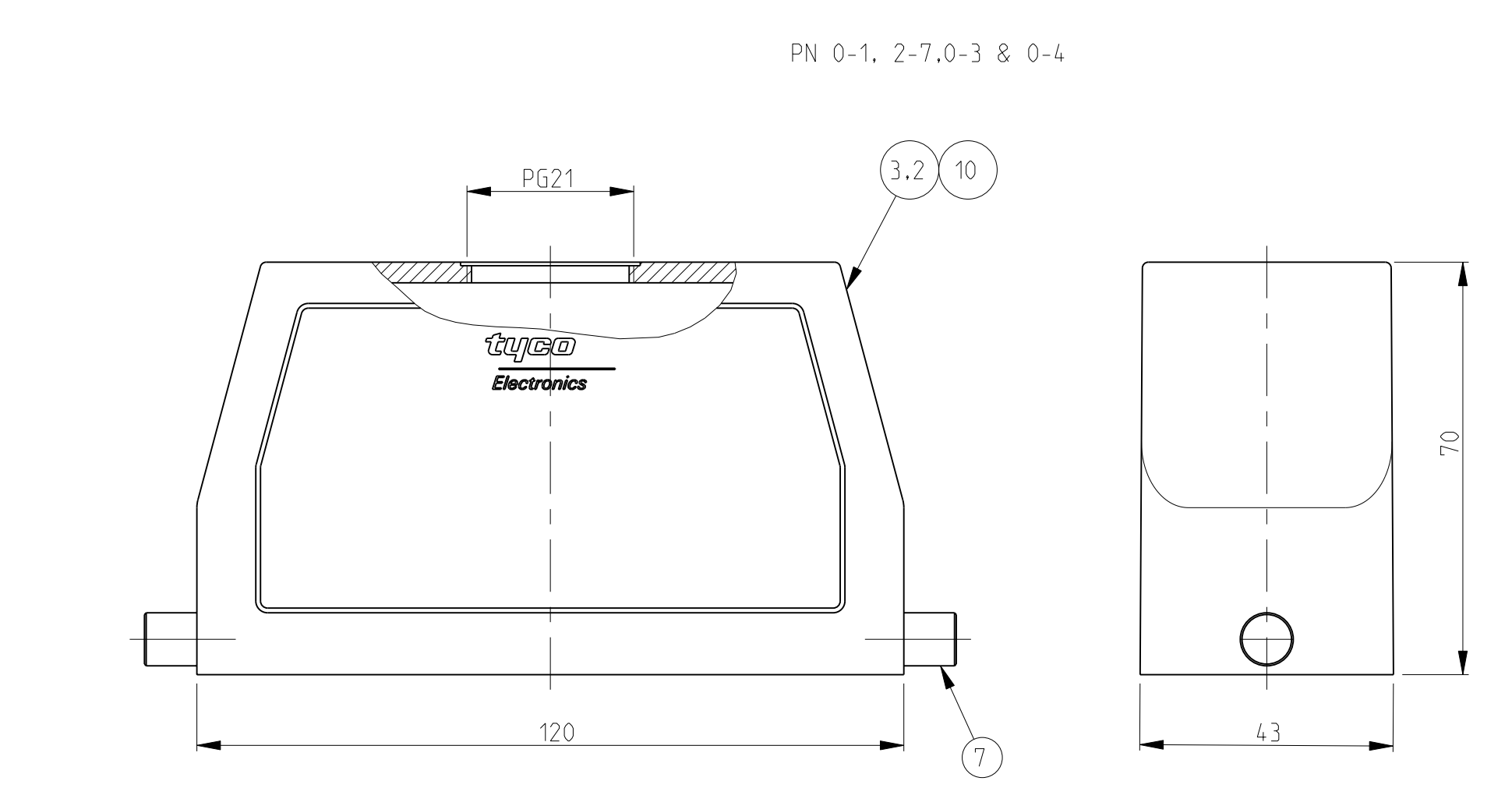
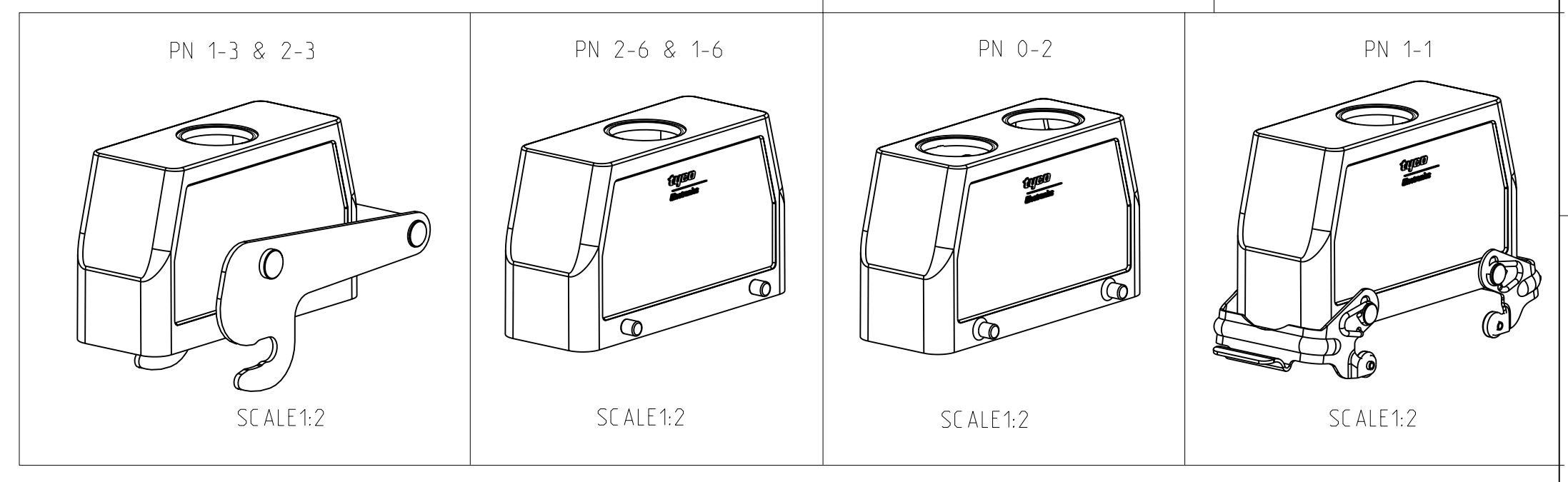
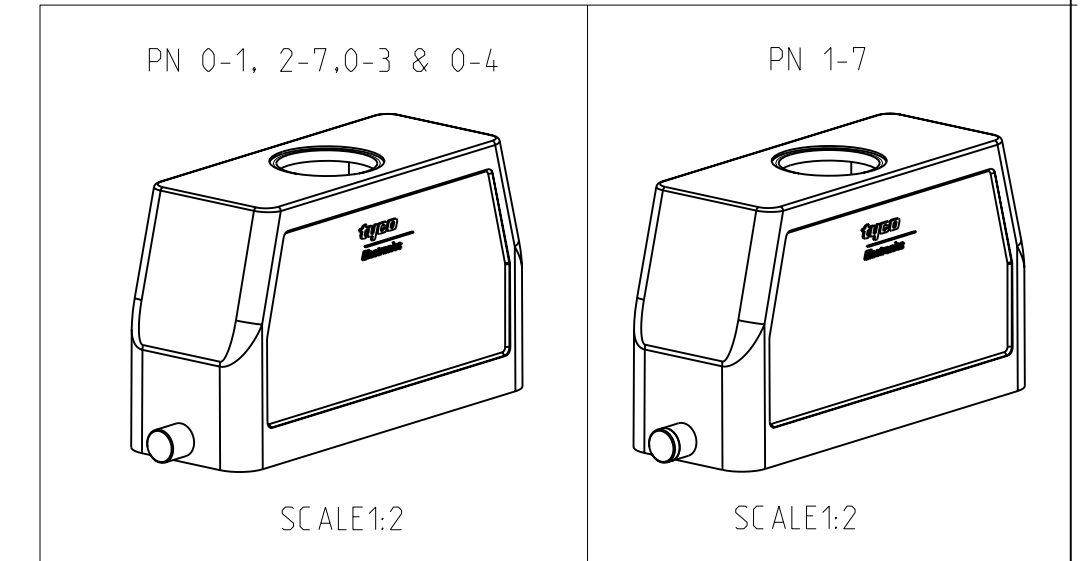
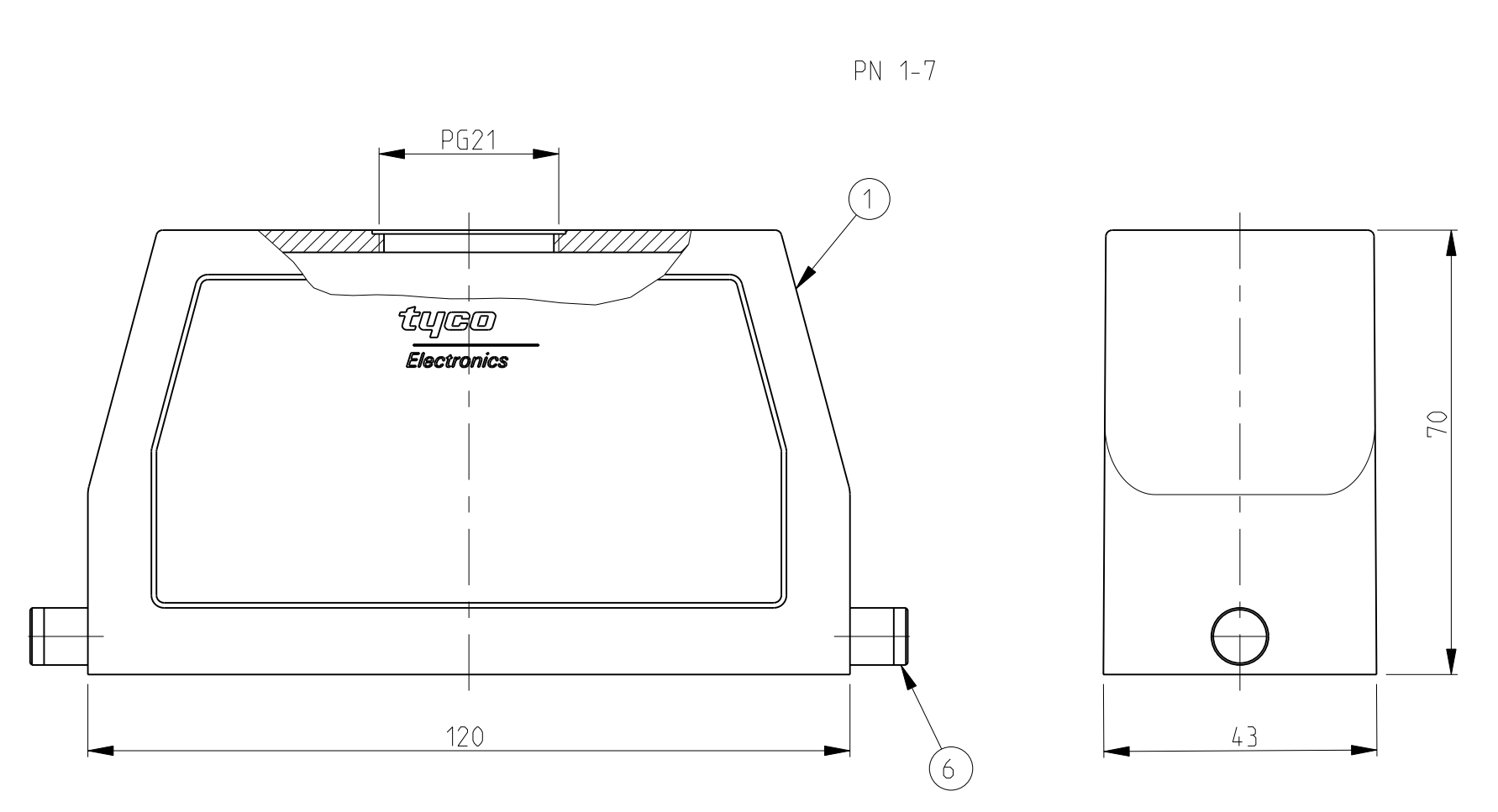
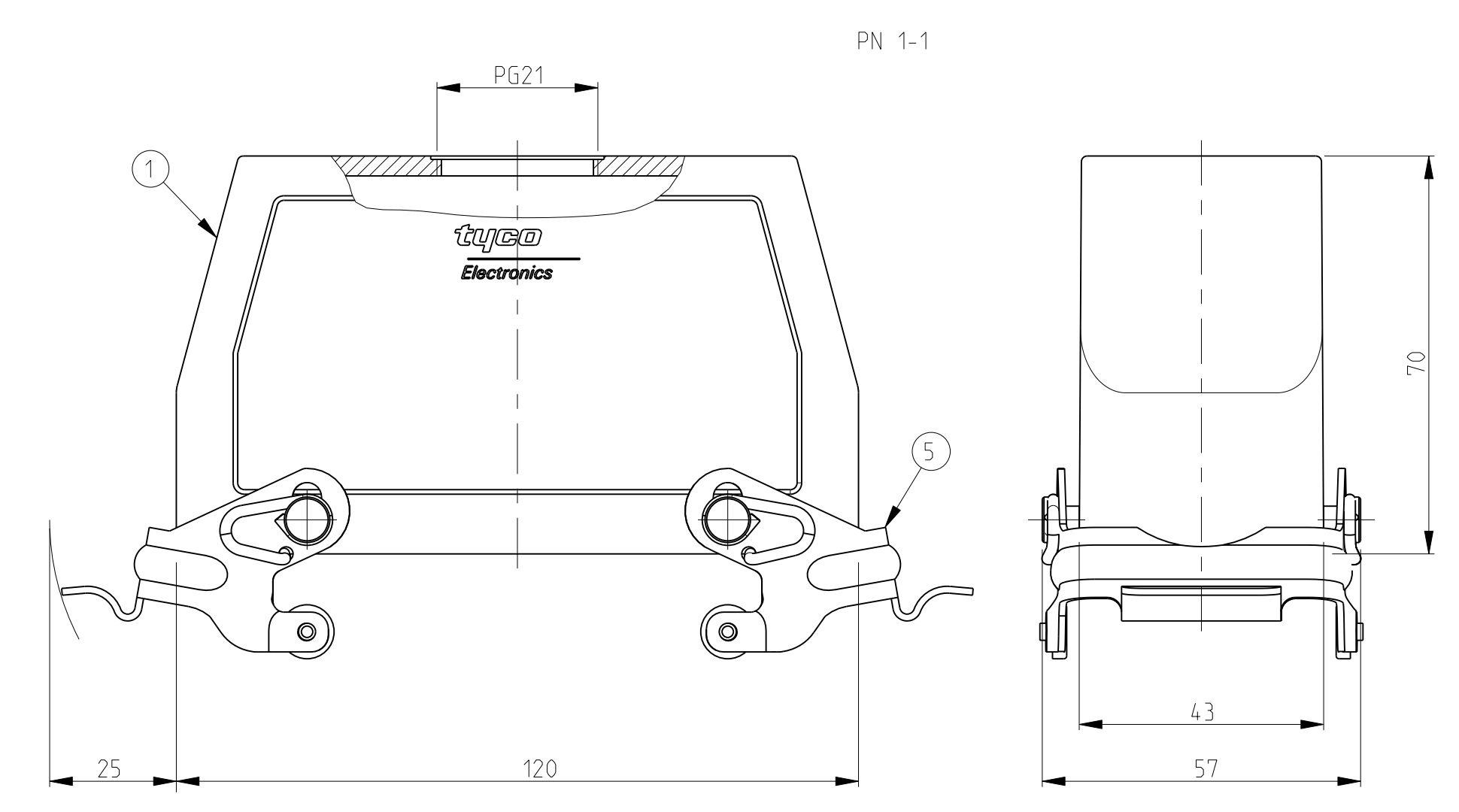
Address: A1208, Overseas Decoration Building, #122 Zhenhua RD., Futian, Shenzhen, China



LOC		DIST		REVISIONS			
P	LTB	DESCRIPTION	DATE	DWN	APVD		
A6		Released as per ECR-07-019955	22.08.07	SK	TS		



- NOTES.
- Material:Housing:Aluminium Diecasting Alloy
  - Surface-Powder Varnish Grey  
-Aluminium Oxide +  
Varnish Black
  - Varnish on the inside not necessary



QTY	ITEM NO	DESCRIPTION	MATERIAL	SURFACE	COLOR	ITEM NO	NOTES									
1		HB-K Hood	Aluminium	Aluminium Oxide	No varnish	10										
	1	ZB-Central clip	Stainless Steel	Blank		9										
	1	ZB-Central clip	Steel	Zinc Plated	Blue	8										
2	2	LB-Clip bolt	Stainless Steel	Blank		7										
	2	LB-Clip bolt	Steel	Zinc Plated	Blue	6										
	2	VS-Locking clip	Steel	Zinc Plated	Blue	5										
	4	VS-Clip bolt	Stainless Steel	Blank		4										
1	1	HB Hood	Aluminium	Aluminium Oxide	No varnish	3										
1	1	HB-K Hood	Aluminium	Aluminium Oxide	Black	2										
1	1	HB Hood	Aluminium		Grey	1										
0-4	0-3	0-2	0-1	2-3	1-3	2-7	1-7	1-1	2-6	1-6	DESCRIPTION	MATERIAL	SURFACE	COLOR	ITEM NO	NOTES
											HB.24.STO.1.21.G					
											HB-K.24.STO.1.21.G					
											HB.24.STO-VS.1.21.G					
											HB.24.STO-GR.1.21.G					
											HB-K.24.STO-GR.1.21.G					
											HB-Z.24.STO-ZB.1.21.G					
											HB-K/Z.24.STO-ZB.1.21.G					
											HB.24.STO-GR.1.21.G					
											HB.24.STO.2.21.G					
											HB-K.24.STO-GR.1.21.G					
											HB-K.24.ST-GR					

TYCO ELECTRONICS IS A REGISTERED TRADEMARK OF TYCO ELECTRONICS CORPORATION  
 ALL RIGHTS RESERVED. © 1997

DIMENSIONS: mm

TOLERANCES UNLESS OTHERWISE SPECIFIED:  
 0.130 mm (0.005")  
 0.254 mm (0.010")  
 0.508 mm (0.020")  
 1.27 mm (0.050")  
 2.54 mm (0.100")  
 ANGLES ± 0.5°

MATERIAL FINISH

DWN: Schneider 08.05.2001  
 CHK: Schnurfeil 08.05.2001  
 APVD: -

NAME: Hood  
 HB.24 STO 1.21.G

PRODUCT SPEC: 108-74001  
 108-74003  
 APPLICATION SPEC: 114-74001  
 114-74004

WEIGHT: -

CUSTOMER DRAW ING

SCALE: 1:1 SHEET: 1 OF 1 REV: A6