



Chipsmall Limited consists of a professional team with an average of over 10 year of expertise in the distribution of electronic components. Based in Hongkong, we have already established firm and mutual-benefit business relationships with customers from,Europe,America and south Asia,supplying obsolete and hard-to-find components to meet their specific needs.

With the principle of “Quality Parts,Customers Priority,Honest Operation,and Considerate Service”,our business mainly focus on the distribution of electronic components. Line cards we deal with include Microchip,ALPS,ROHM,Xilinx,Pulse,ON,Everlight and Freescale. Main products comprise IC,Modules,Potentiometer,IC Socket,Relay,Connector.Our parts cover such applications as commercial,industrial, and automotives areas.

We are looking forward to setting up business relationship with you and hope to provide you with the best service and solution. Let us make a better world for our industry!



Contact us

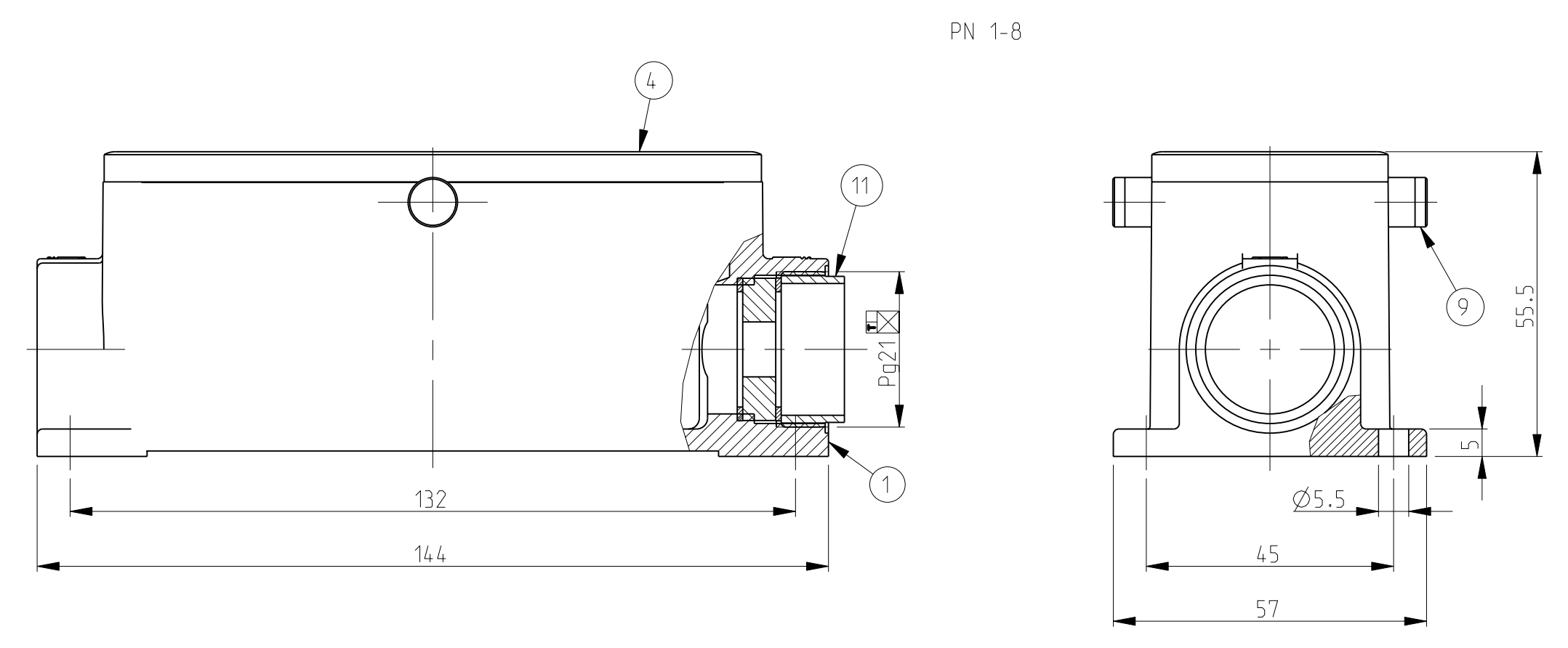
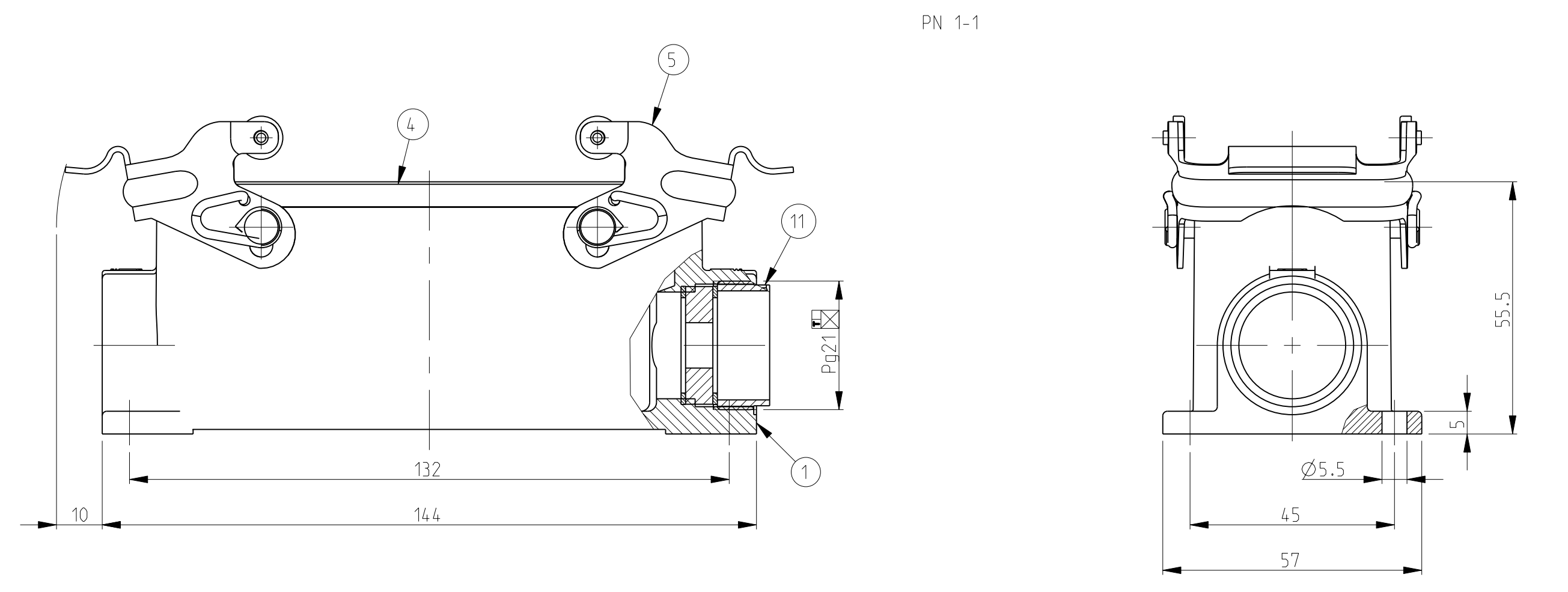
Tel: +86-755-8981 8866 Fax: +86-755-8427 6832

Email & Skype: info@chipsmall.com Web: www.chipsmall.com

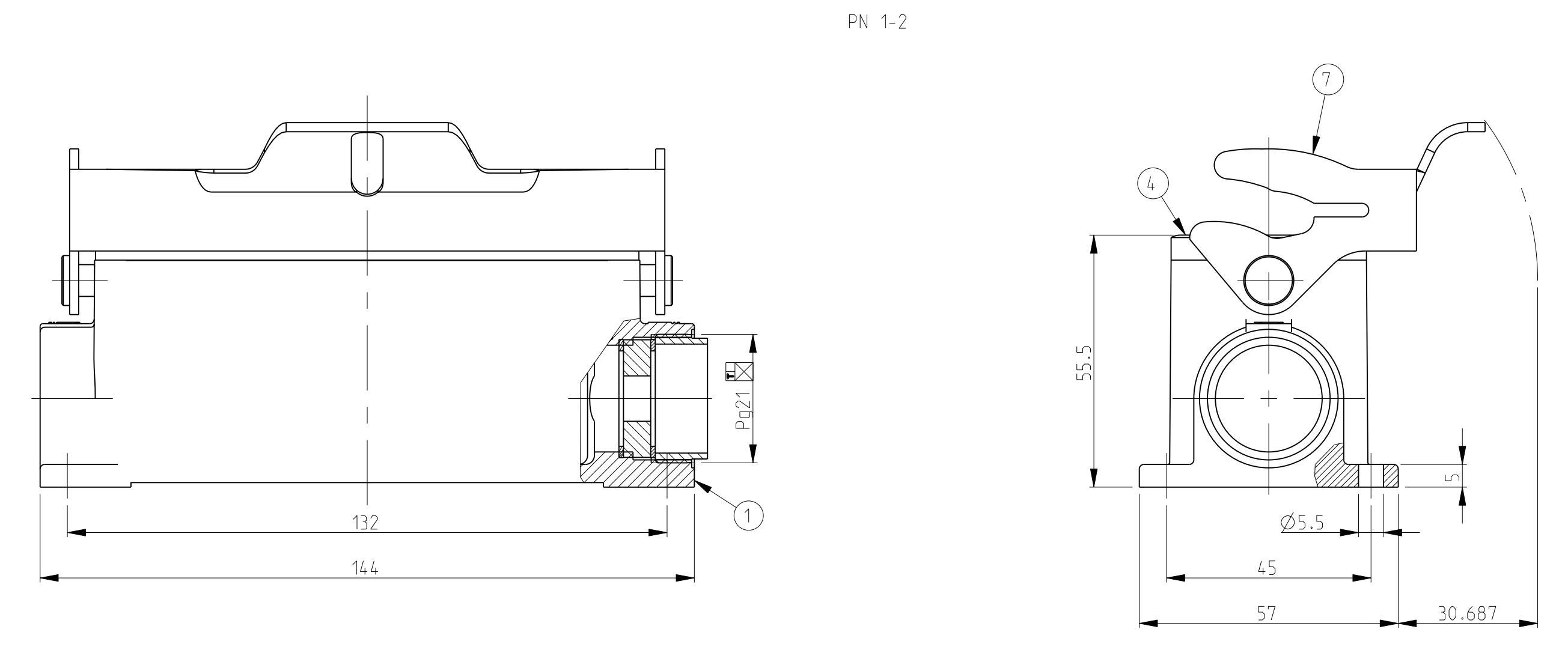
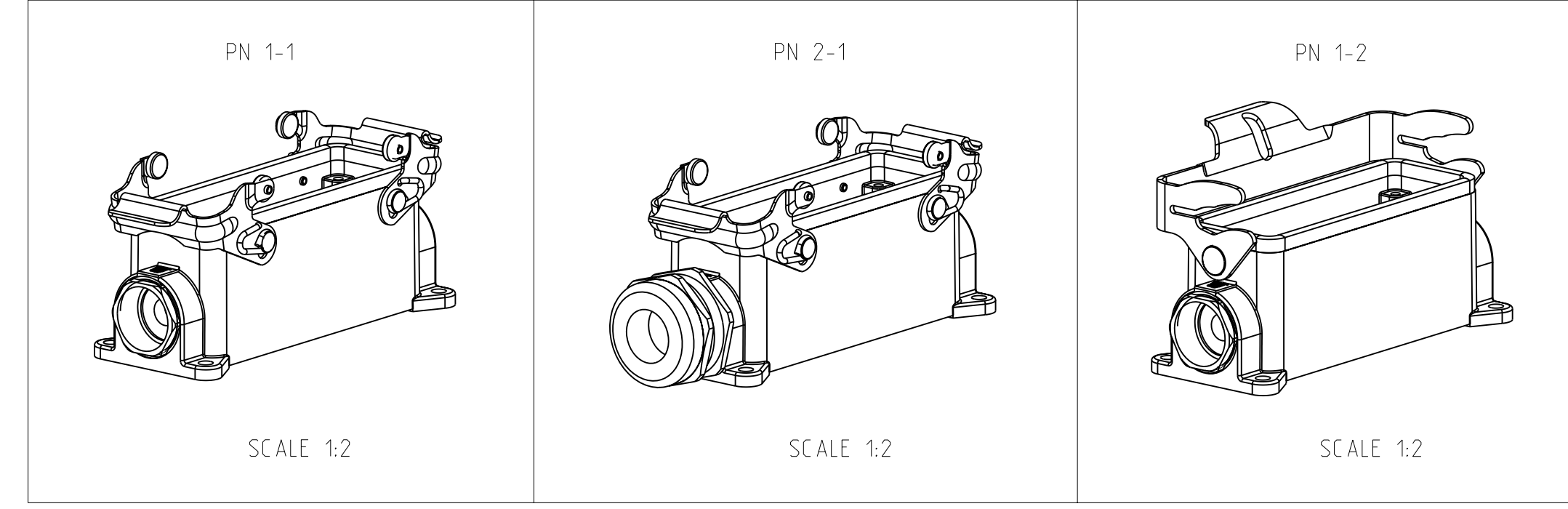
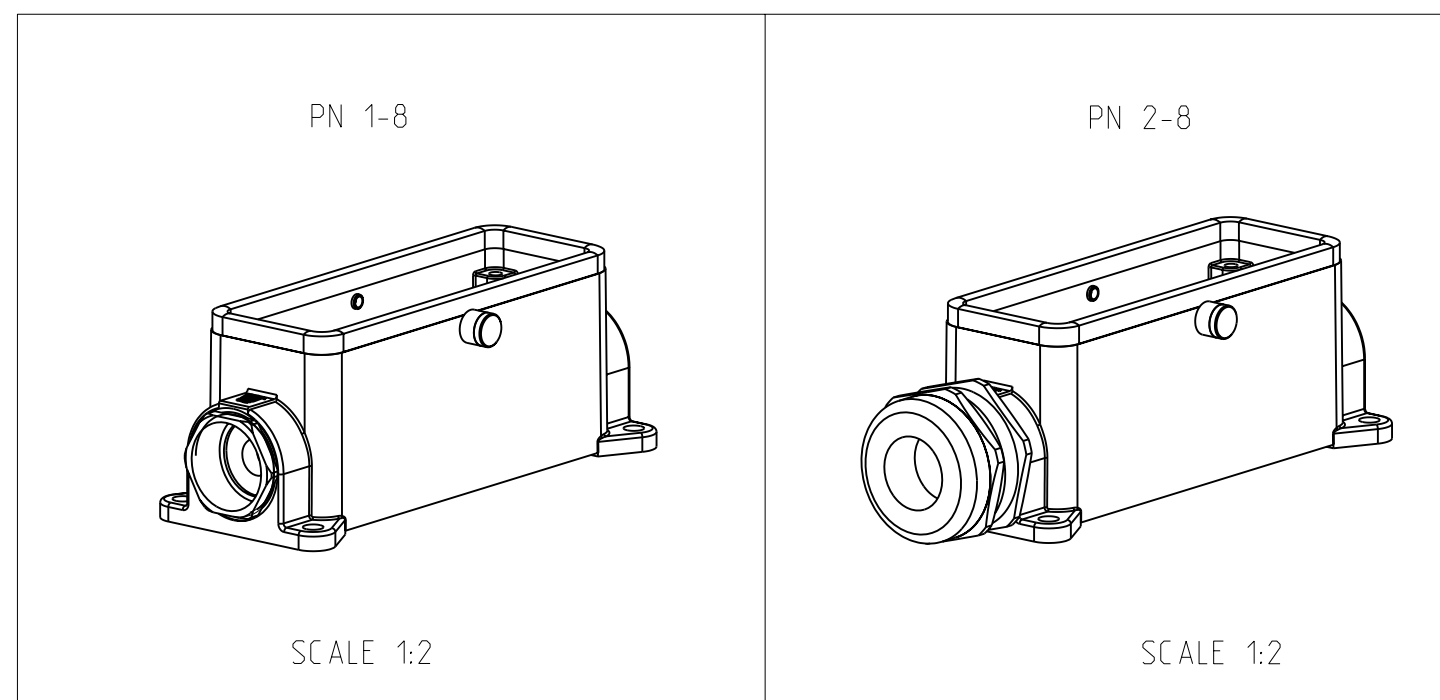
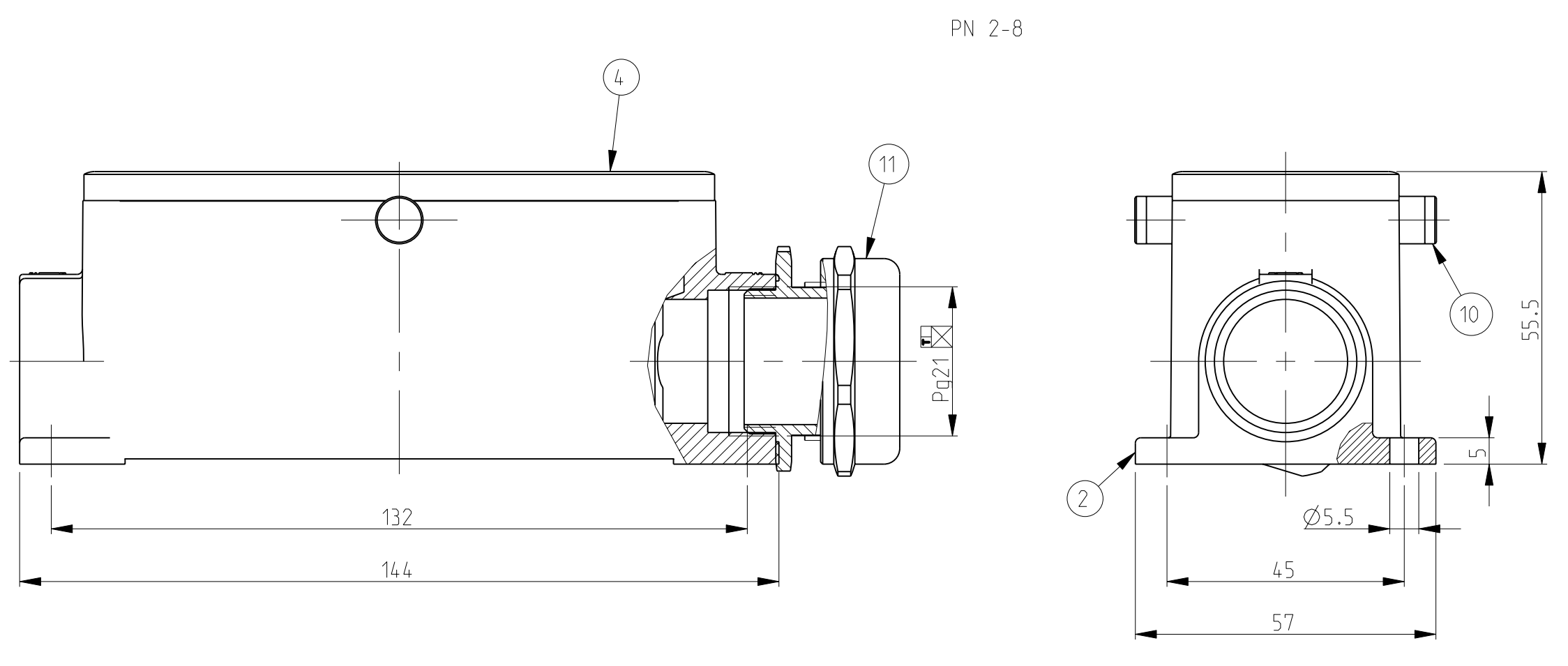
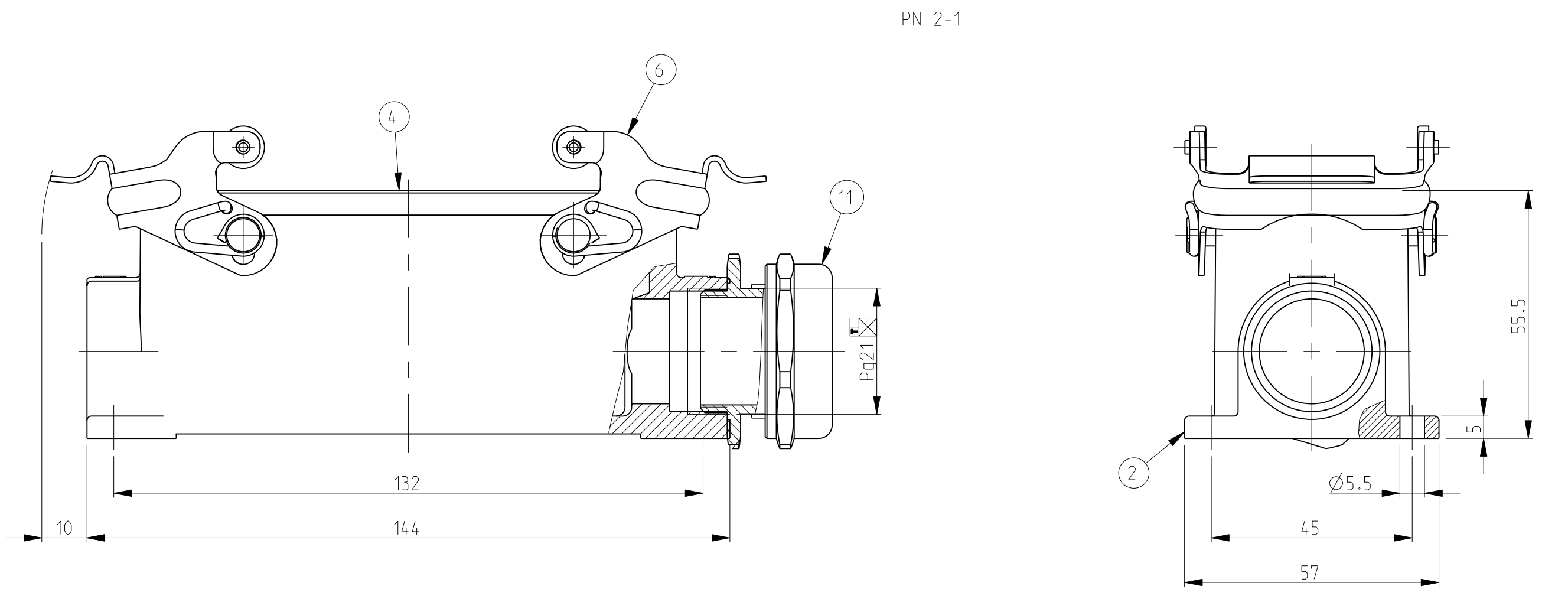
Address: A1208, Overseas Decoration Building, #122 Zhenhua RD., Futian, Shenzhen, China



LOC	DIST	REVISIONS					
		P	LN	DESCRIPTION	DATE	BY	APPD
A1	-	A5		REVISED PER ECO-09-027197			



- NOTES.
- Material:Housing:Aluminium Diecasting Alloy
Seals:Neoprene
 - Surface:Varnish grey
-Aluminium Oxide -Varnish Black
 - Packaging
Quantity 5 Pieces in a box
- ⚠ OBSOLETE PARTS: OBSOLETE CIS STREAMLINING PER D.RENAUD/D.SINISI



QTY	DESCRIPTION	MATERIAL	SURFACE	COLOR	ITEM NO	NOTES
1	SEALING PLUG	Brass	Nickel plated		12	BS.21.MS
1	Cable fitting screw	Brass	Nickel plated		11	DS.21.D1
2	ZB-Clip bolt	Stainless steel			10	
1	ZB-Side clip	Steel	Zinc plated		9	
1	LB-Side clip	Stainless steel			8	
1	VS-Locking clip	Steel	Zinc plated		7	
2	VS-Locking clip	Stainless steel			6	
1	Profile seal	Neoprene			5	
1	Surface mounted housing side entry HB BgB	Aluminium	Aluminium oxide	Black	4	
1	Surface mounted housing side entry HB BgB	Aluminium	Aluminium oxide	Grey	3	
1	Surface mounted housing side entry HB BgB	Aluminium	Aluminium oxide	Black	2	
1	Surface mounted housing side entry HB BgB	Aluminium		Grey	1	

ORDERING TEXT
 HB-24-SG-VS-1.21
 HB-K-24-SG-VS-1.21
 HB-24-SG-LB-1.21
 HB-K-24-SG-LB-1.21
 HB-24-SG-ZV60-1.21
 HB-K-24-SG-ZV60-1.21
 HB-24-SG-LB-1.21-G-Ø34-B-S0

DATE: 05.11.1999
 DWG: M. Schneider
 APPD: M. Schneider
 PRODUCT SPEC: 114-74001.74003
 APPLICATION SPEC: 114-74001.74004
 MATERIAL: -
 FINISH: -
 DIMENSIONS: -
 TOLERANCES: -
 SURFACE TREATMENT: -
 NAME: Surface mounted housing side entry HB.24.1.21
 SCALE: 1:1
 SHEET: 1 OF 1
 REV: A5