



Chipsmall Limited consists of a professional team with an average of over 10 year of expertise in the distribution of electronic components. Based in Hongkong, we have already established firm and mutual-benefit business relationships with customers from,Europe,America and south Asia,supplying obsolete and hard-to-find components to meet their specific needs.

With the principle of “Quality Parts,Customers Priority,Honest Operation,and Considerate Service”,our business mainly focus on the distribution of electronic components. Line cards we deal with include Microchip,ALPS,ROHM,Xilinx,Pulse,ON,Everlight and Freescale. Main products comprise IC,Modules,Potentiometer,IC Socket,Relay,Connector.Our parts cover such applications as commercial,industrial, and automotives areas.

We are looking forward to setting up business relationship with you and hope to provide you with the best service and solution. Let us make a better world for our industry!



Contact us

Tel: +86-755-8981 8866 Fax: +86-755-8427 6832

Email & Skype: info@chipsmall.com Web: www.chipsmall.com

Address: A1208, Overseas Decoration Building, #122 Zhenhua RD., Futian, Shenzhen, China



THIS DRAWING IS UNPUBLISHED
VERTRÄULICHE UNVERÖFFENTLICHE ZEICHNUNG

RELEASE FOR PUBLIKATION
FREI FUER VERÖFFENTLICHUNG

MATED WITH:
PASSEND ZU:
HD.15

LOC AI
DIST -

REVISIONS
ÄNDERUNGEN

P LTR

DESCRIPTION
BESCHREIBUNG

DATE

DWN

APVD

© COPYRIGHT 2000

BY AMP INCORPORATED

ALL RIGHTS RESERVED
ALLE RECHTE VORBEHALTEN

PROJEKT NR.
EGGMA05416

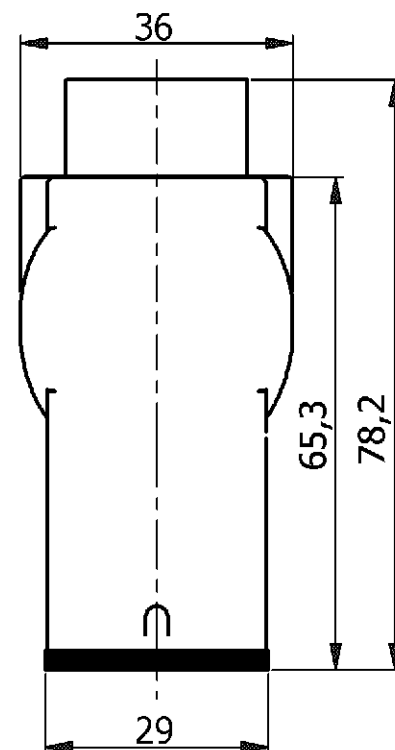
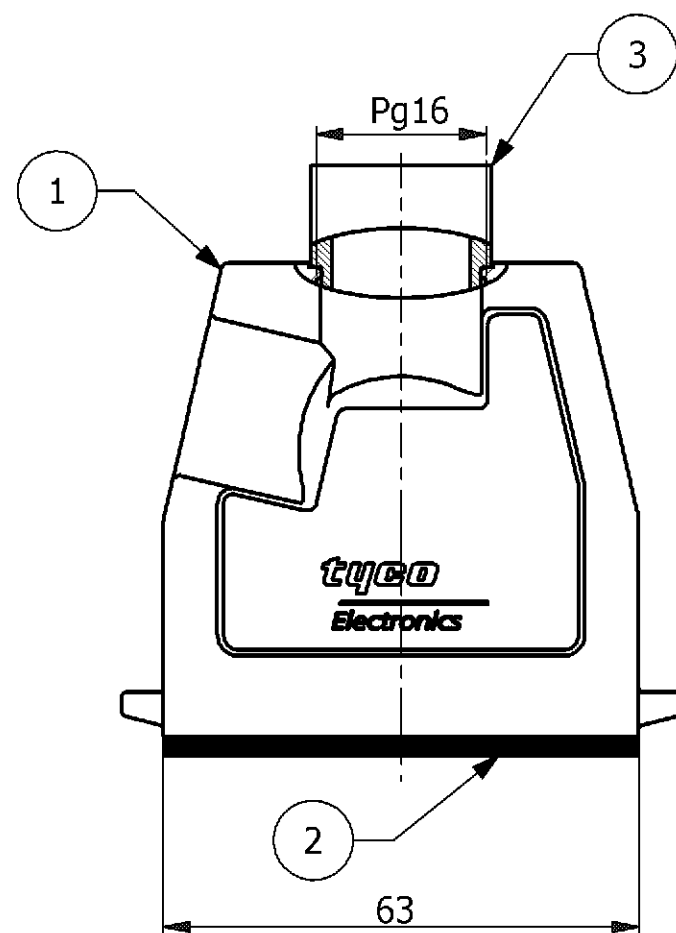
B1

RELEASED AS PER ECR-06-010559

5/2/2006

RS

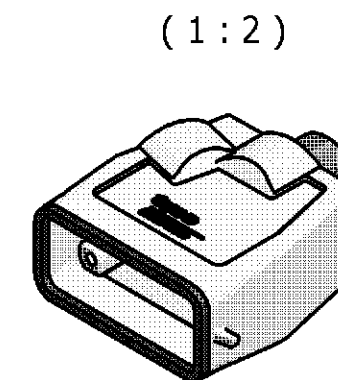
ST



NOTES

- 1 PACKAGING QUANTITY: 5 PIECES PER BOX
- 2 MATERIAL: HOUSING: ALUMINIUM DIE CAST ALLOY
SEALS: NEOPRENE
- 3 SURFACE: VARNISH GREY
ALUMINIUM OXIDE +
VARNISH BLACK
- 4 VARNISH ON THE INSIDE NOT NECESSARY

PN:1-7 as shown



PN:1-7
Ordering Text:
HD.15.STO.1.16.Z

1-7	DESCRIPTION	MATERIAL	SURFACE	COLOR	ITEM NO.	REMARKS
1	Adaptor Round	Brass	Nickel Plated	Blue	3	Pg16
1	Profile seal	Neoprene	-	Black	2	-
1	Hood	Aluminium	-	Grey	1	-

<p>THIS DRAWING IS A CONTROLLED DOCUMENT FOR AMP INCORPORATED. IT IS SUBJECT TO CHANGE AND THE CONTROLLING ENGINEERING ORGANIZATION SHOULD BE CONTACTED FOR THE LATEST REVISION. DIESES ZEICHNUNGSDOKUMENT WIRD DURCH AMP INCORPORATED KONTROLLIERT. ÄNDERUNGEN, DIE DEM TECHNISCHEN FORTSCHRITT DIENEN, SIND VORBEHALTEN. DEN JEWELIGEN LETZTGÜLTIGEN ÄNDERUNGSSTAND ERFAHREN SIE AUF ANFRAGE.</p>		DWN	4/20/2006	Tyco / Electronics AMP GmbH D - 53819 Neunkirchen, Germany	
<p>DIMENSIONS: DIMENSIONEN: mm</p>		CHK	4/20/2006	<p>NAME HOOD HD.15.STO.1.16.Z</p>	
<p>TOLERANCES UNLESS OTHERWISE SPECIFIED: ALLGEMEINTOLERANZEN</p> <p>n. ISO 8015 - n. ISO 2768 - mH-E n. DIN 16901- 140</p> <p>0 PLC # 1 PLC # 2 PLC # 3 PLC # ANGLES / WINKEL #</p>		APVD	4/20/2006	<p>PRODUCT SPEC. PRODUKTSPEZ. 108-74001;-74003</p>	
<p>MATERIAL</p>		<p>APPLICATION SPEC. VERARBEITUNGSSPEZ. 114-74004</p>		SIZE	RESTRICTED TO NUR FUER
<p>FINISH / OBERFLÄCHE / FARBE</p>		WEIGHT GEWICHT	-	CAGE CODE A3 00779	DRAWING NO ZEICHNUNGS-NR. 1102432
<p>2</p>		<p>3</p>		<p>CUSTOMER DRAWING / KUNDENZEICHNUNG</p>	
		SCALE MASSSTAB	1:1	SHEET BLATT	1 OF VON 1
				REV.	B1

H:\HTS\EGGMA05416\HD_1102432_1102432_B1.dwg