



Chipsmall Limited consists of a professional team with an average of over 10 year of expertise in the distribution of electronic components. Based in Hongkong, we have already established firm and mutual-benefit business relationships with customers from,Europe,America and south Asia,supplying obsolete and hard-to-find components to meet their specific needs.

With the principle of “Quality Parts,Customers Priority,Honest Operation,and Considerate Service”,our business mainly focus on the distribution of electronic components. Line cards we deal with include Microchip,ALPS,ROHM,Xilinx,Pulse,ON,Everlight and Freescale. Main products comprise IC,Modules,Potentiometer,IC Socket,Relay,Connector.Our parts cover such applications as commercial,industrial, and automotives areas.

We are looking forward to setting up business relationship with you and hope to provide you with the best service and solution. Let us make a better world for our industry!



## Contact us

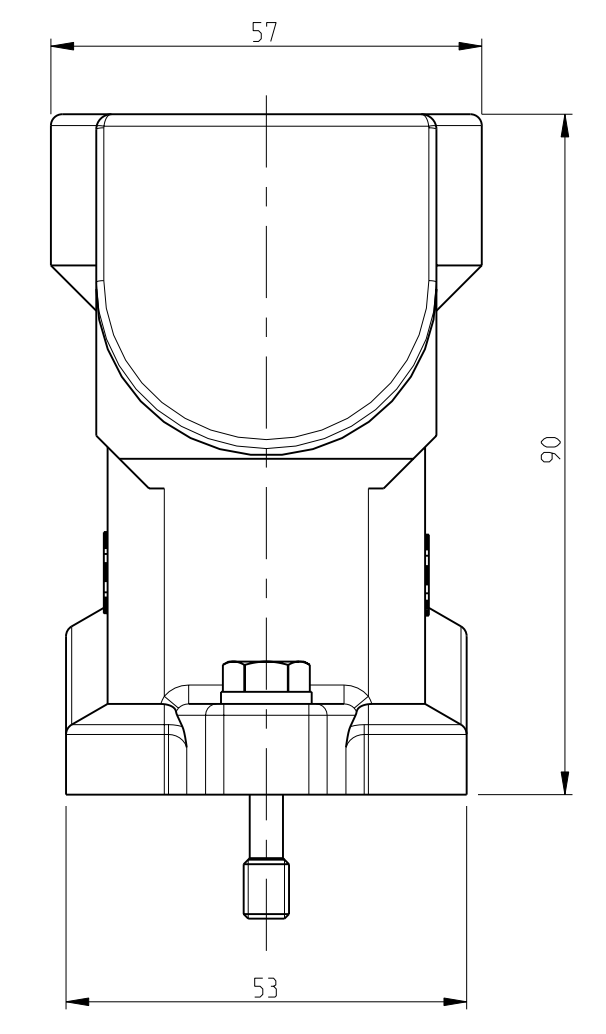
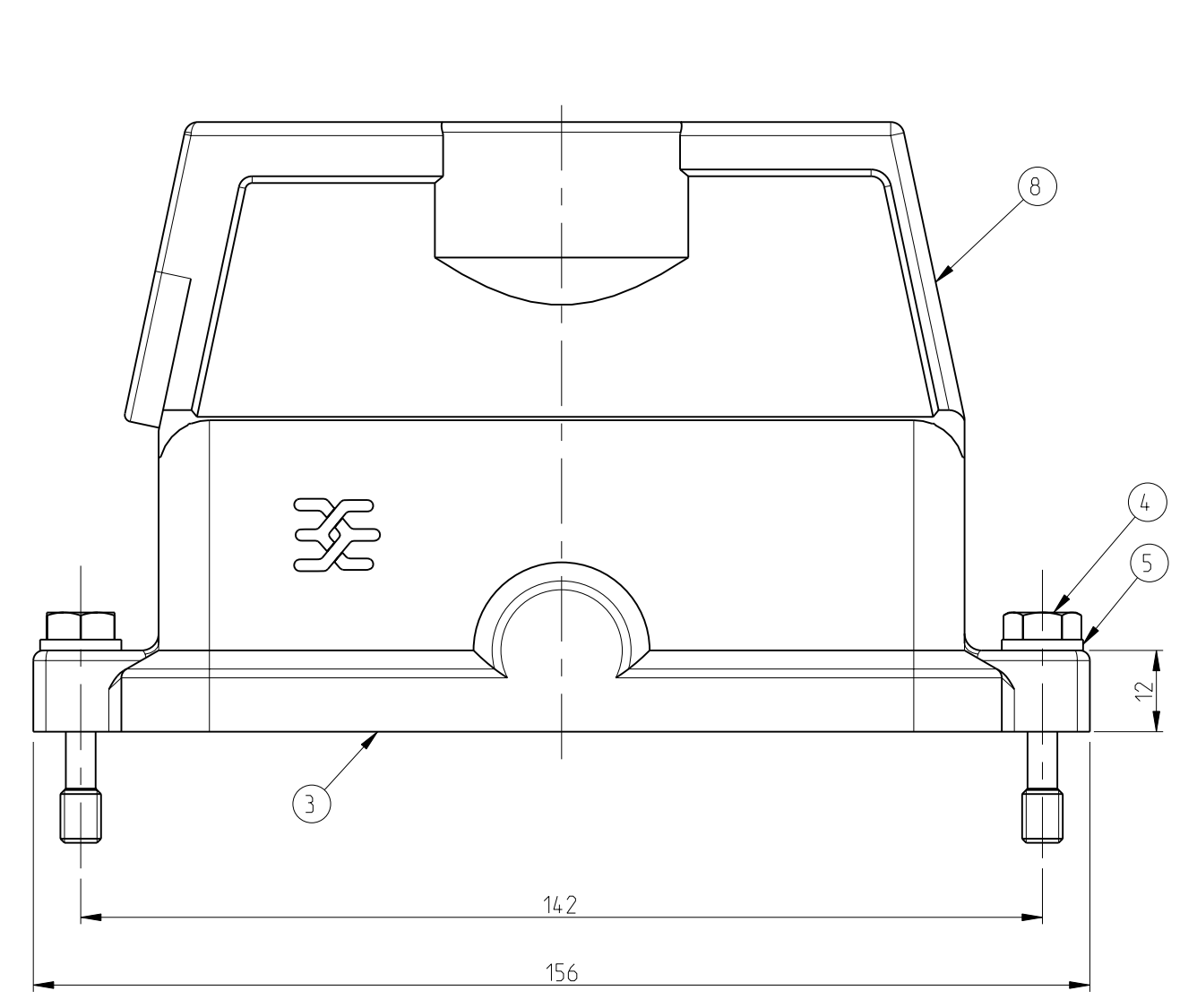
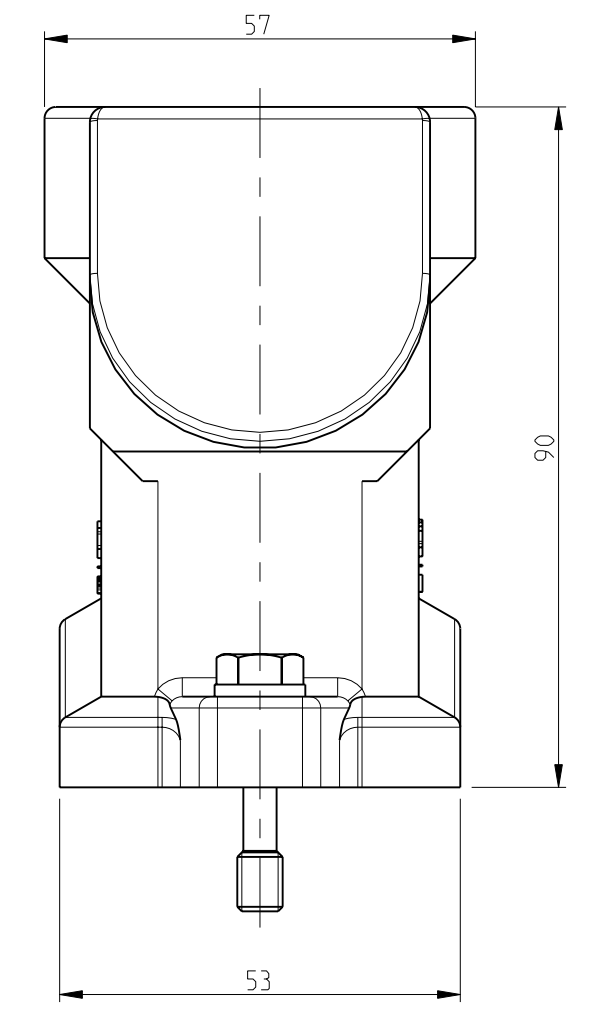
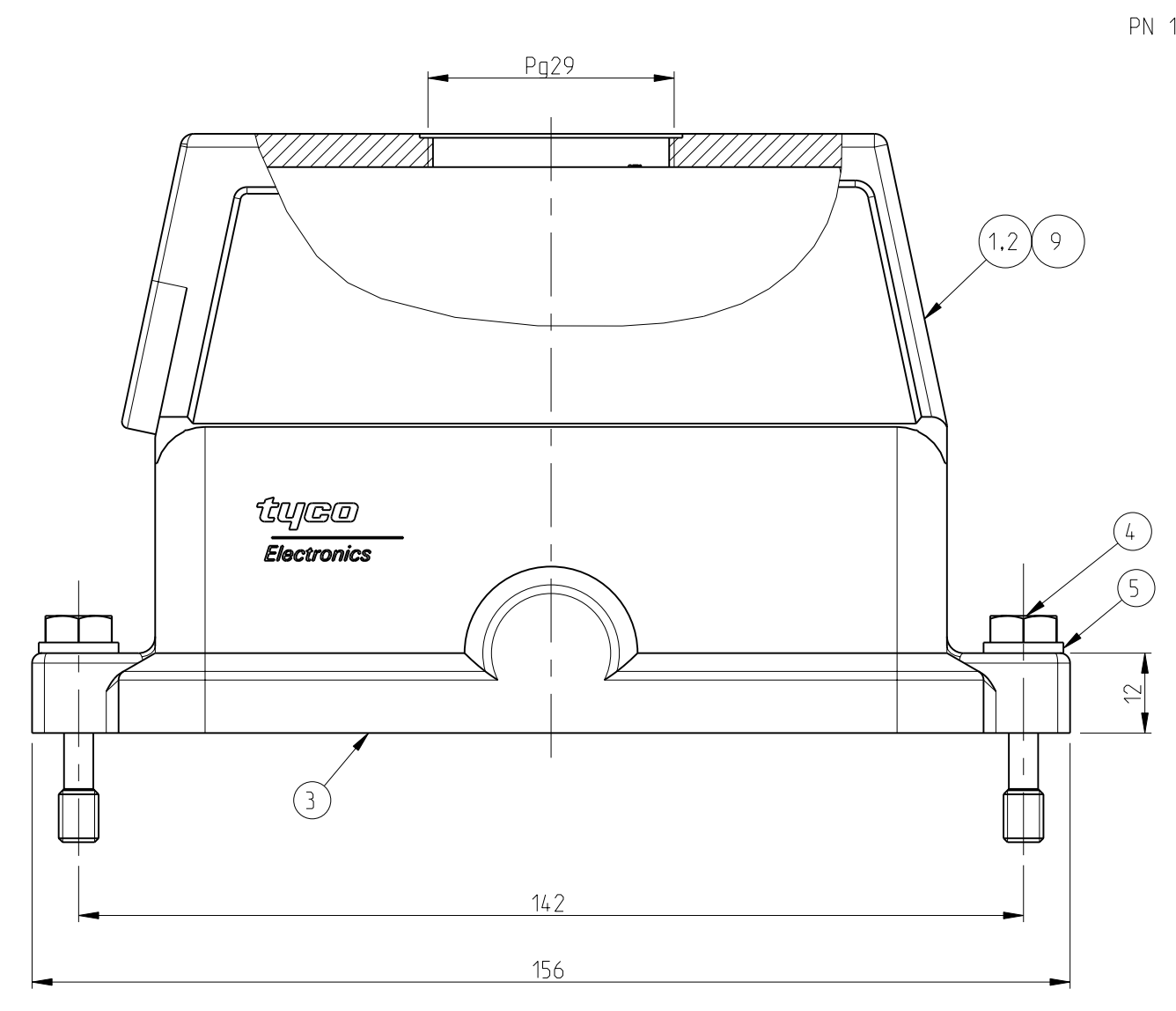
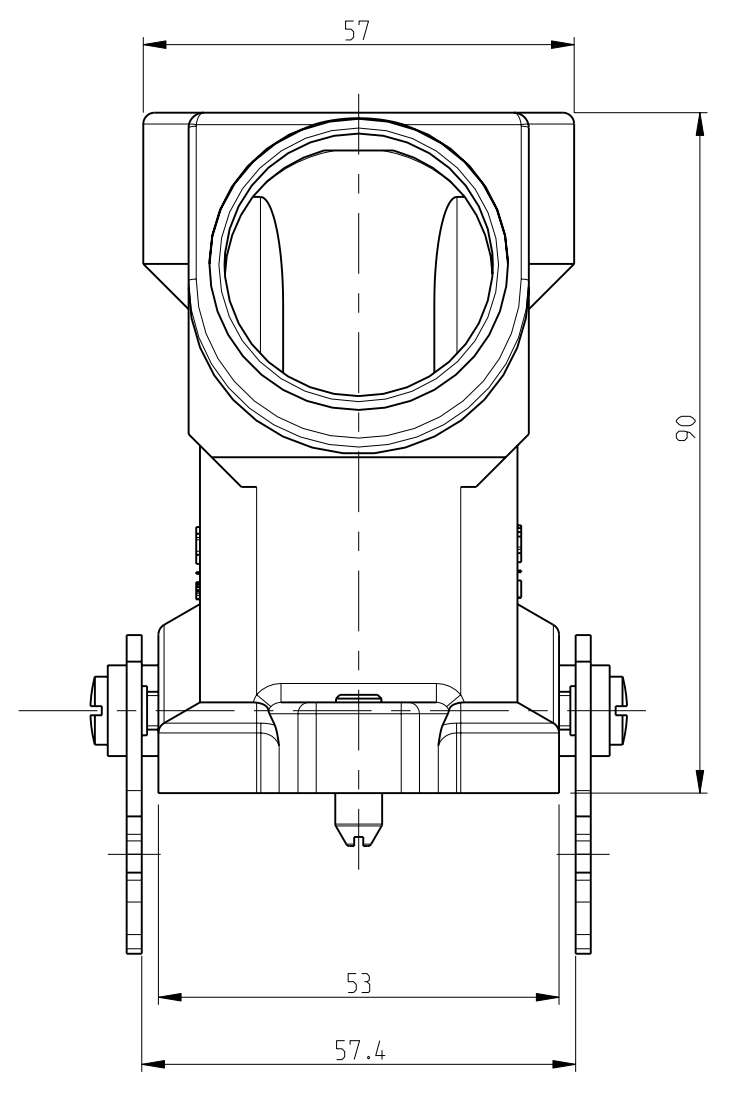
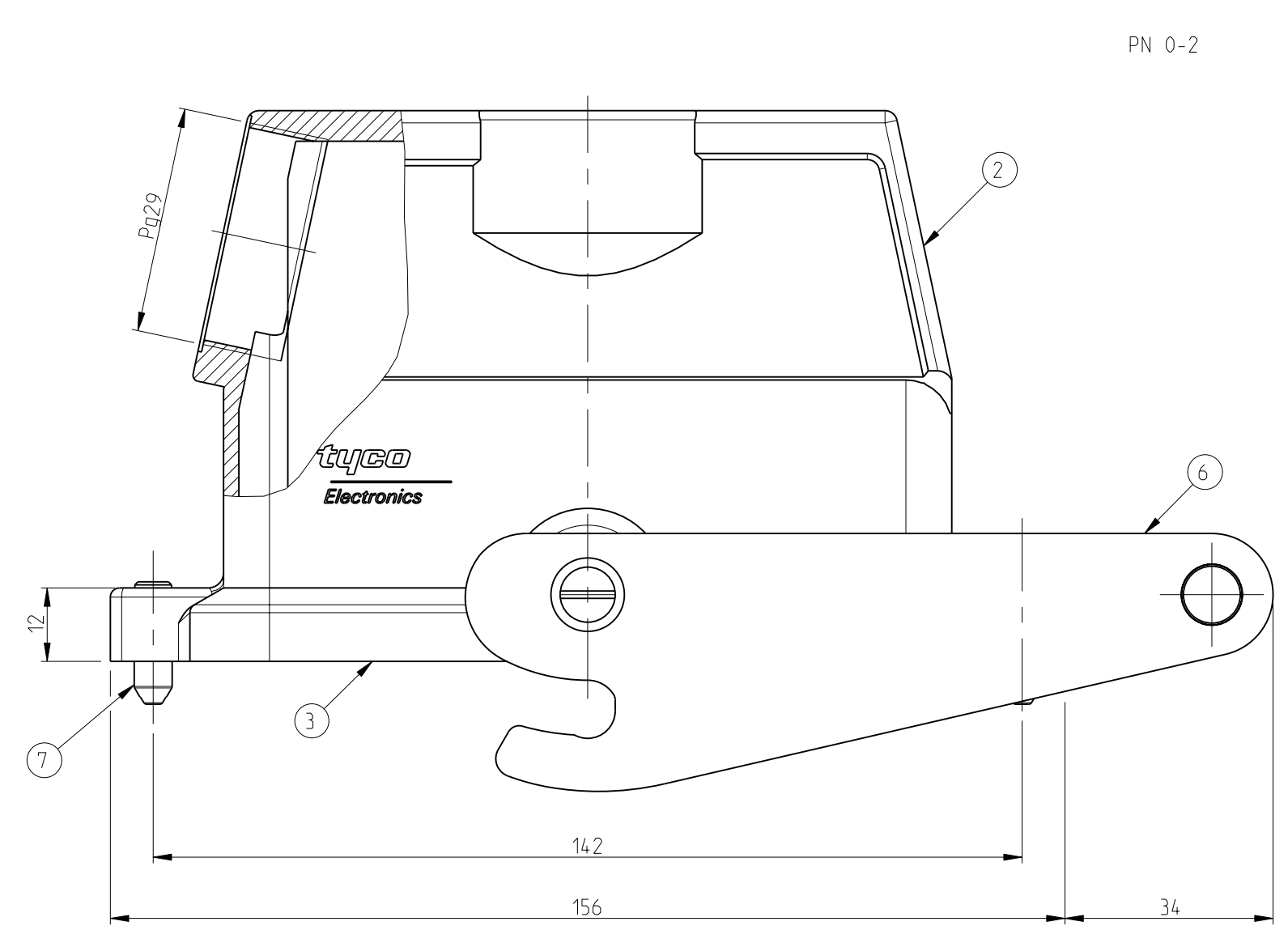
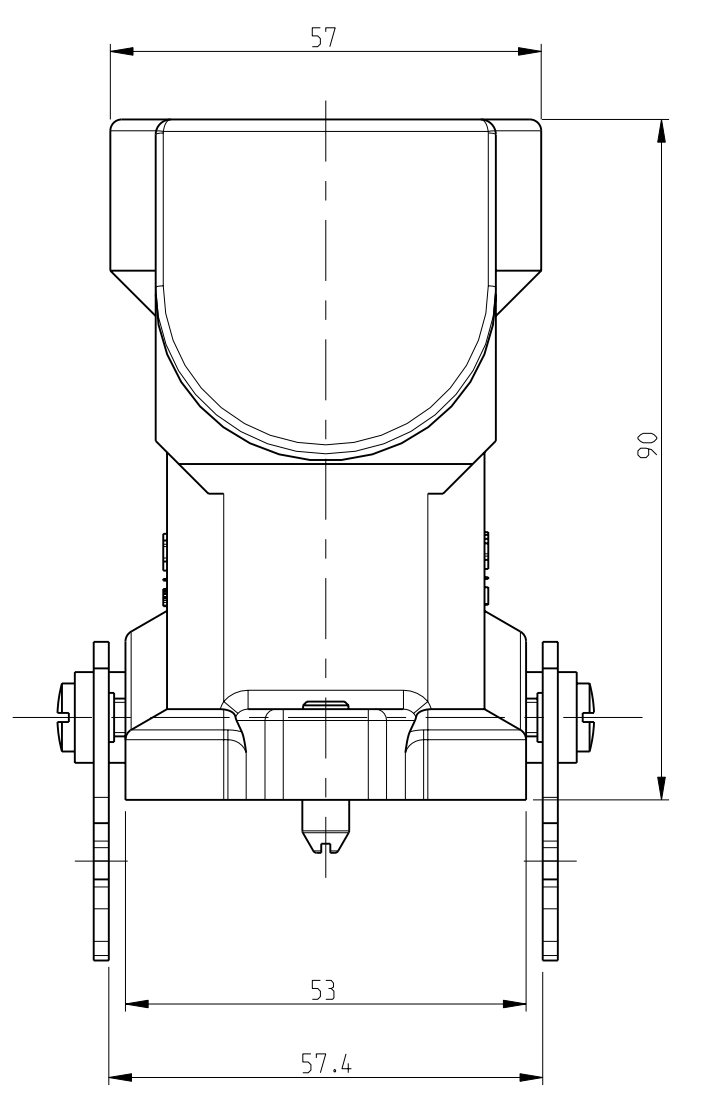
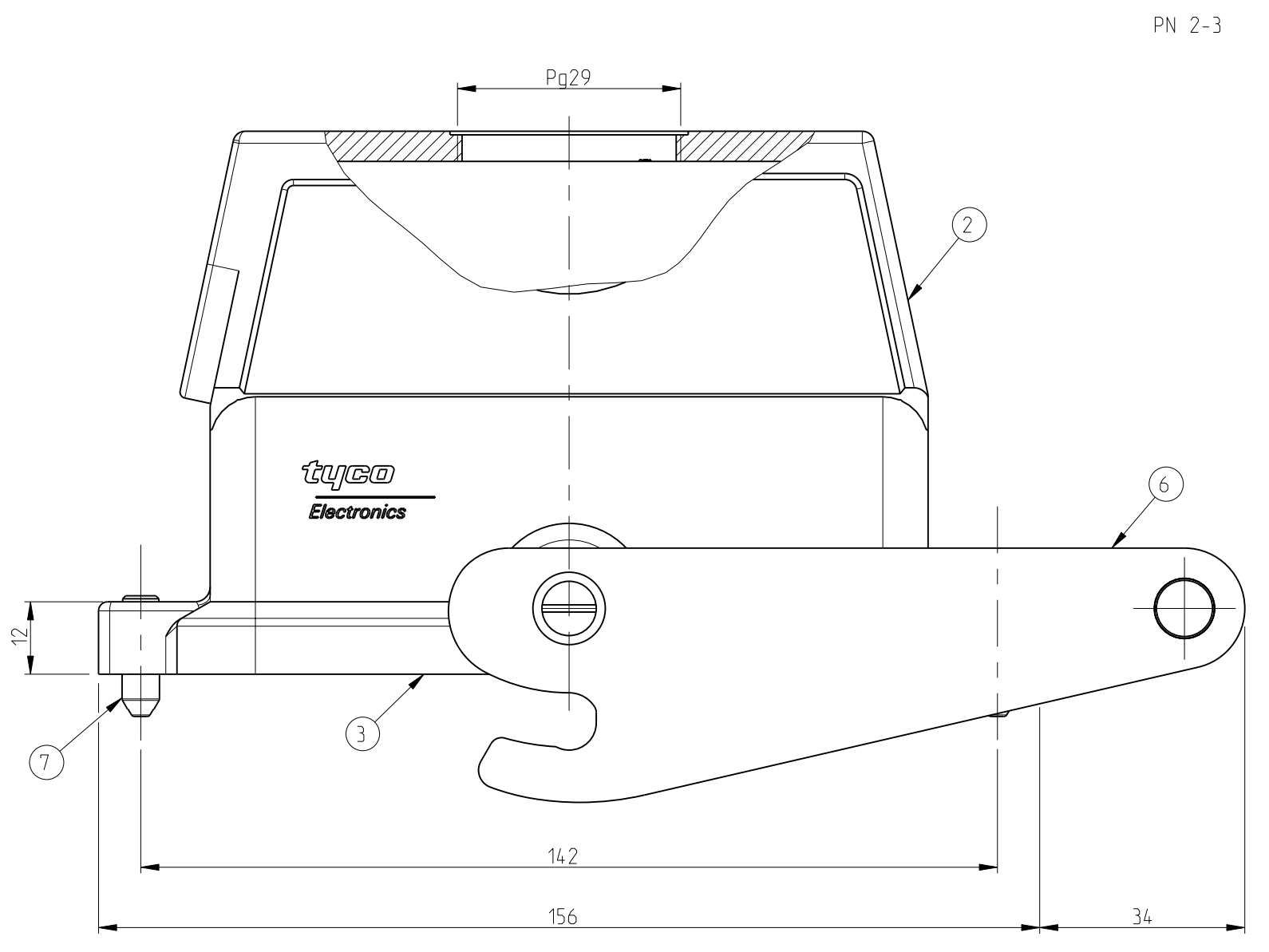
Tel: +86-755-8981 8866 Fax: +86-755-8427 6832

Email & Skype: info@chipsmall.com Web: www.chipsmall.com

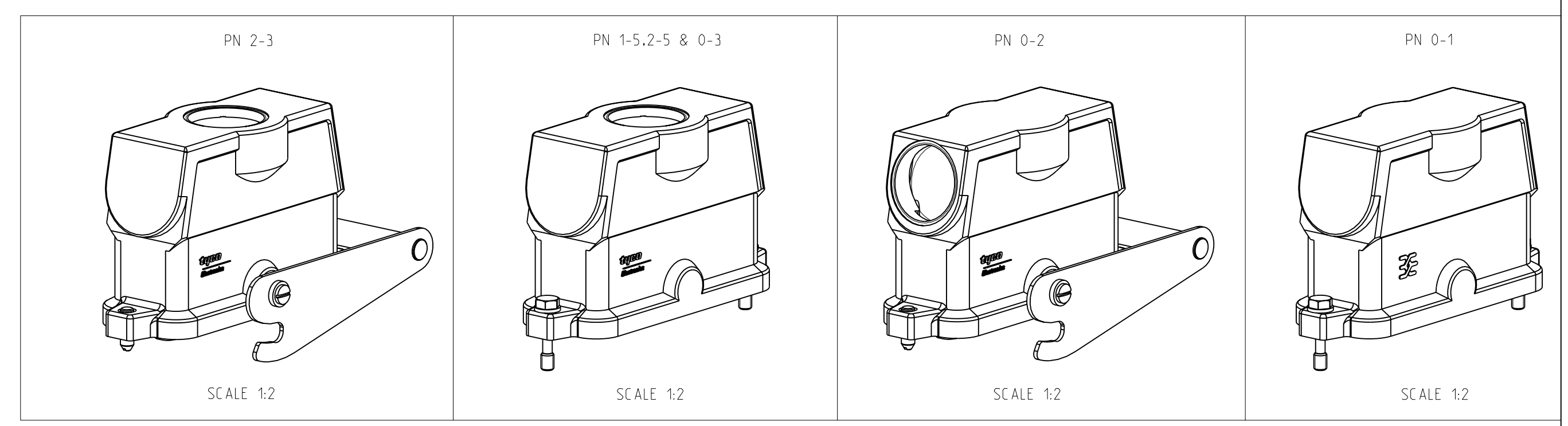
Address: A1208, Overseas Decoration Building, #122 Zhenhua RD., Futian, Shenzhen, China



LOC	DIST	REVISIONS			
P	LTR	DESCRIPTION	DATE	OWN	APVD
B6		Released as per ECR-07-030419	17.12.07	SP	TS



- NOTES
- Material: Housing: Aluminium Diecasting Alloy  
Seals: Neoprene
  - Surface- varnish-grey  
Aluminium oxide-  
Varnish black
  - Varnish on the inside not necessary
  - Packaging quantity: 5 pieces in a box



QTY	DESCRIPTION	MATERIAL	SURFACE	COLOR	ITEM NO	REMARKS
1	Hood HIP	Aluminium		No varnish	9	Without varnish
1	Hood HIP-K	Aluminium	Aluminium oxide	Black	8	Sonder Logo without PG-Thread
2	Guide bolt	Stainless steel		Blank	7	
1	ZB-Central clip	Stainless steel		Blank	6	
2	Spring washer	Stainless steel		Blank	5	B6.4
2	Fixing screw	Stainless steel		Blank	4	M6x30
1	Seal	Neoprene		Black	3	
1	Hood HIP-K	Aluminium	Aluminium oxide	Black	2	
1	Hood HIP	Aluminium		Grey	1	
ORDERING TEXT						
HIP-K/Z.24/64.STO-ZB.1.29.G						
HIP.24/64.STO.1.29.G						
HIP-K.24/64.STO.1.29.G						
HIP-K.24/64.ST.WE						
HIP-K/Z.24/64.STS-ZB.1.29.G						
HIP.24/64.STO.1.29.G						

DIMENSIONS: mm		TOLERANCES UNLESS OTHERWISE SPECIFIED:		DWN: 24.06.1998		Schneider		Tyco Electronics, AMP GmbH	
MATERIAL		FINISH		CHK: 24.06.1998		Schweiger		0-53819, Neunkirchen, Germany	
108-74030		114-74017		PRODUCT SPEC		NAME		Hood	
APPLICATION SPEC		WEIGHT		108-74030		SIZE		CAGE CODE	
CUSTOMER DRAWING		SCALE 1:1		114-74017		DRAWING NO		SHEET 1 OF 1	
				A   00779		C=1102664		REV: B6	