



Chipsmall Limited consists of a professional team with an average of over 10 year of expertise in the distribution of electronic components. Based in Hongkong, we have already established firm and mutual-benefit business relationships with customers from,Europe,America and south Asia,supplying obsolete and hard-to-find components to meet their specific needs.

With the principle of "Quality Parts,Customers Priority,Honest Operation,and Considerate Service",our business mainly focus on the distribution of electronic components. Line cards we deal with include Microchip,ALPS,ROHM,Xilinx,Pulse,ON,Everlight and Freescale. Main products comprise IC,Modules,Potentiometer,IC Socket,Relay,Connector.Our parts cover such applications as commercial,industrial, and automotives areas.

We are looking forward to setting up business relationship with you and hope to provide you with the best service and solution. Let us make a better world for our industry!



Contact us

Tel: +86-755-8981 8866 Fax: +86-755-8427 6832

Email & Skype: info@chipsmall.com Web: www.chipsmall.com

Address: A1208, Overseas Decoration Building, #122 Zhenhua RD., Futian, Shenzhen, China



4

3

2

1

THIS DRAWING IS UNPUBLISHED
VERTRAULICHE UNVERÖFFENTLICHE ZEICHNUNG

RELEASE FOR PUBLIKATION
FREI FUER VERÖFFENTLICHUNG
,2000

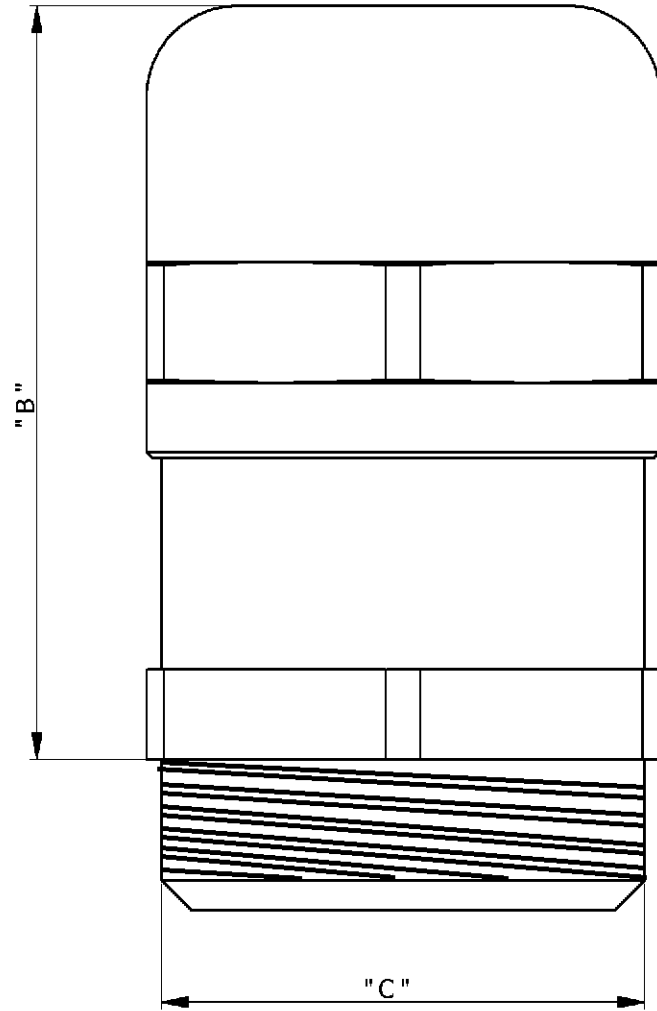
MATED WITH:
PASSEND ZU:

LOC AI
DIST -

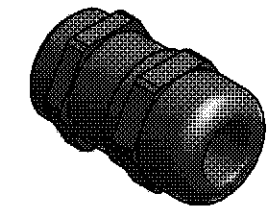
REVISIONS
ÄNDERUNGEN

© COPYRIGHT 2000 BY AMP INCORPORATED ALL RIGHTS RESERVED
ALLE RECHTE VORBEHALTEN

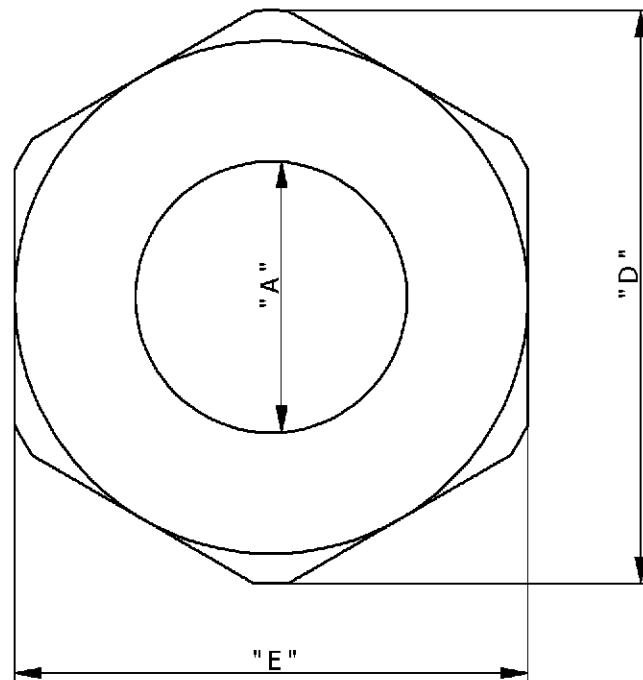
PROJEKT NR.	P	LTR	DESCRIPTION BESCHREIBUNG	DATE	DWN	APVD
A3			REVISED PER ECO-11-010801	25MAY11	HMR	MM



① CABLE DIAMETER RANGE
② THREAD SIZE



M 1:1



1-6	HUT.M16.P	4-8	27,5	M16	22	20
2-0	HUT.M20.P	6-12	28	M20	26,5	24
2-5	HUT.M25.P	10-14	35	M25	32	29
3-2	HUT.M32.P	13-18	40	M32	40	36
4-0	HUT.M40.P	18-25	41	M40	50,5	46
5-0	HUT.M50.P	22-32	49,5	M50	60	55
PN	ORDERING TEXT	① A	B	② C	D	E
DIMENSIONS (mm)						

<small>THIS DRAWING IS A CONTROLLED DOCUMENT FOR AMP INCORPORATED. IT IS SUBJECT TO CHANGE AND THE CONTROLLING ENGINEERING ORGANIZATION SHOULD BE CONTACTED FOR THE LATEST REVISION. DIESES ZEICHNUNGSDOKUMENT WIRD DURCH AMP INCORPORATED KONTROLLIERT. ÄNDERUNGEN, DIE DEM TECHNISCHEN FORTSCHRITT DIENEN, SIND VORBEHALTEN. DEM JEWEILS LETZTIGÜLTIGEN ÄNDERUNGSSTAND ERFAHREN SIE AUF ANFRAGE.</small>		DWN	27.03.2006
DIMENSIONS: DIMENSIONEN: mm		JS	27.03.2006
<small>TOLERANCES UNLESS OTHERWISE SPECIFIED: ALLGEMEINTOLERANZEN</small> n. ISO 8013 - n. ISO 2768 - mH-E n. DIN 16901- 140		CHK	27.03.2006
		TS	27.03.2006
0 PLC # 1 PLC # 2 PLC # 3 PLC # ANGLES / WINKEL #		APVD	27.03.2006
MATERIAL		TS	
FINISH / OBERFLÄCHE / FARBE		PRODUCT SPEC. / PRODUKTSPEZ.	108-74XXX
		APPLICATION SPEC. / VERARBEITUNGSSPEZ.	114-74XXX
		WEIGHT / GEWICHT	-
		SIZE	A3
		CAGE CODE	00779
		DRAWING NO. / ZEICHNUNGS-NR.	1102771
		RESTRICTED TO NUR FUER	
		CUSTOMER DRAWING / KUNDENZEICHNUNG	
		SCALE / MASSSTAB	4:1
		SHEET / BLATT	1 OF / VON 1
		REV	A3



Hutverschraubung