



Chipsmall Limited consists of a professional team with an average of over 10 year of expertise in the distribution of electronic components. Based in Hongkong, we have already established firm and mutual-benefit business relationships with customers from,Europe,America and south Asia,supplying obsolete and hard-to-find components to meet their specific needs.

With the principle of "Quality Parts,Customers Priority,Honest Operation,and Considerate Service",our business mainly focus on the distribution of electronic components. Line cards we deal with include Microchip,ALPS,ROHM,Xilinx,Pulse,ON,Everlight and Freescale. Main products comprise IC,Modules,Potentiometer,IC Socket,Relay,Connector.Our parts cover such applications as commercial,industrial, and automotives areas.

We are looking forward to setting up business relationship with you and hope to provide you with the best service and solution. Let us make a better world for our industry!



Contact us

Tel: +86-755-8981 8866 Fax: +86-755-8427 6832

Email & Skype: info@chipsmall.com Web: www.chipsmall.com

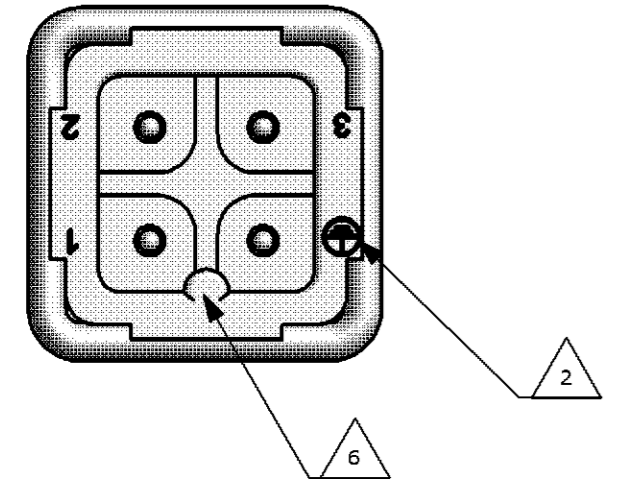
Address: A1208, Overseas Decoration Building, #122 Zhenhua RD., Futian, Shenzhen, China



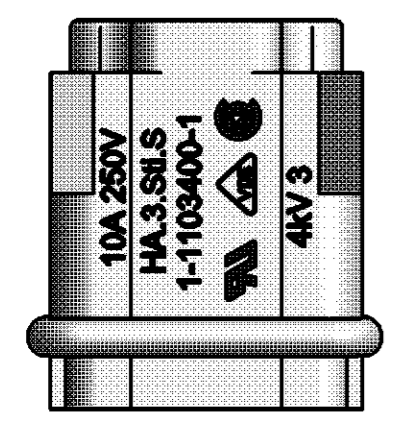
NOTES

- 1 CONTACT: 1 TO 3
SUITABLE SCREW CONTACTS: SERIES HA.3
OUTER DIMENSIONS OF INSULATION: MAX. Ø3,4 MM
- 2 GROUNDING CONTACT:
SUITABLE SCREW CONTACTS: SERIES HA.3
OUTER DIMENSIONS OF INSULATION: MAX. Ø3,4 MM
- 3 SUITABLE HOOD SIZE 1: SERIES HA; HD; EMV AND HIP
- 4 SUITABLE INSERTION AND EXTRACTION TOOL:
SCREWDRIVER 2,0x65
- 5 STANDARDS:
DIN EN 61984; DIN EN 60664-1
- 6 POLARIZATION RIPS
- 7 POS. 8 AND POS.9 PACKED SEPARATE IN POLY BAG
- 8 AUTHORIZATION: UL; CSA; VDE; SEV
- 9 PACKAGING:
10 SETS IN A CARTON, PRE-MOUNTED
- 10 PACKAGING
200 PIECES IN A KANN-BAN BOT

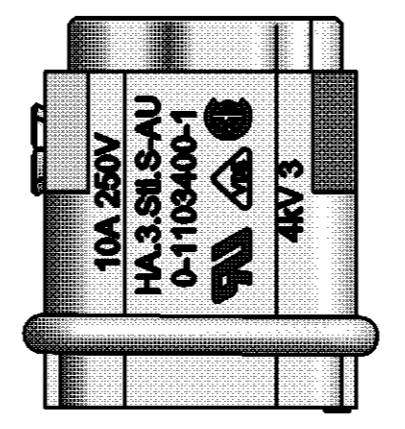
CONTACT ARRANGEMENT
VIEW FROM CONECTING SIDE



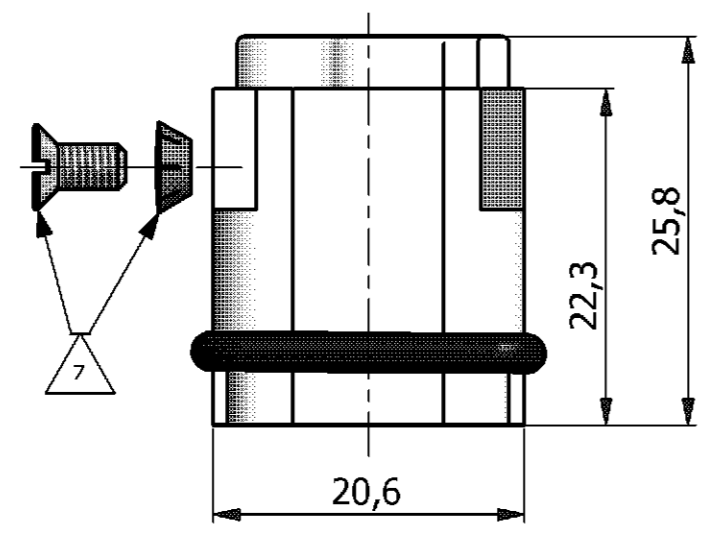
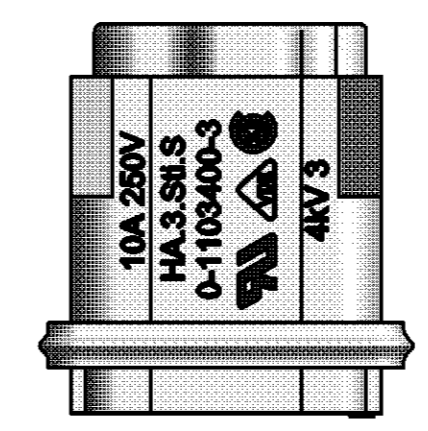
LATERAL PRINT
PN 1-1 / 0-2



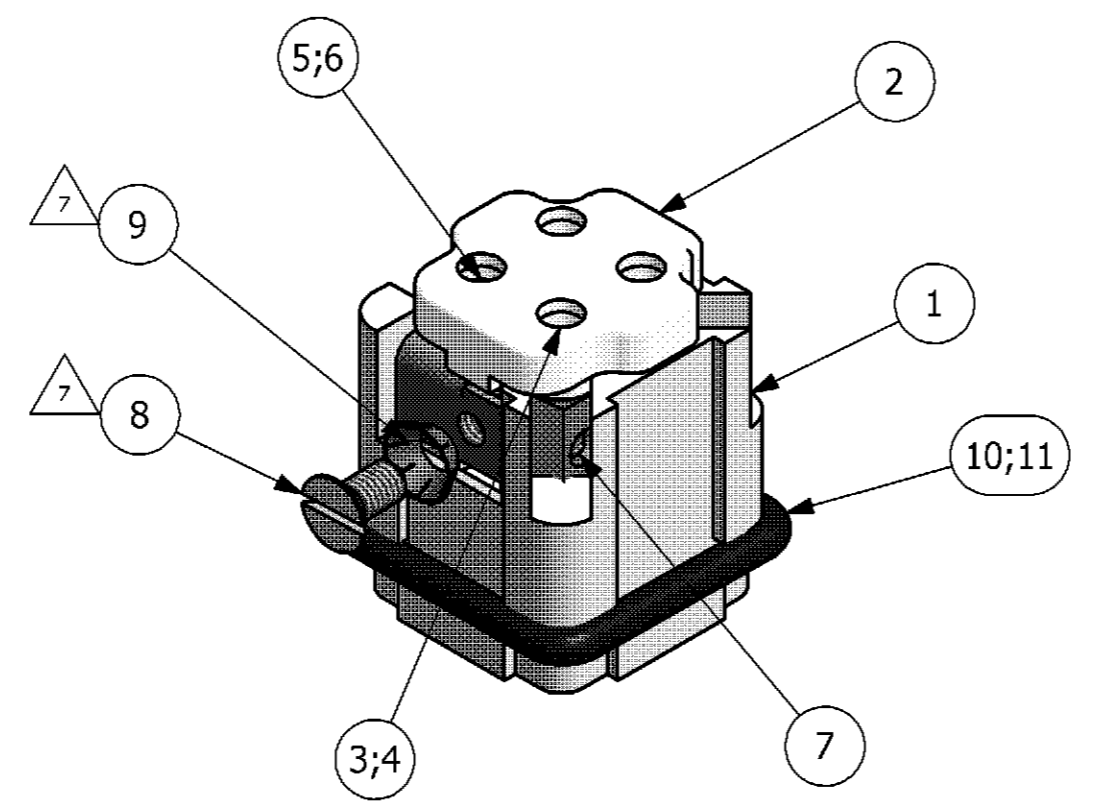
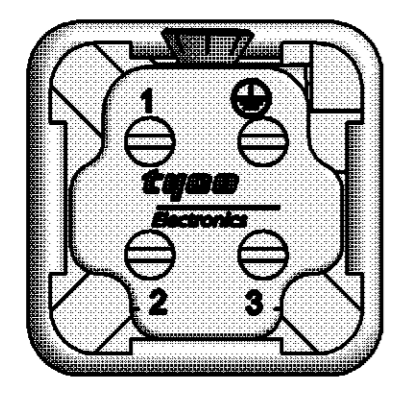
LATERAL PRINT
PN 0-1



LATERAL PRINT
PN 0-3



CONTACT ARRANGEMENT
VIEW FROM TERMINATION SIDE



QTY	DESCRIPTION	MATERIAL	SURFACE	COLOR	ITEM	NOTES			
1	PROFILE SEAL	NEOPRENE		BLACK	11	CONDUCTIVE			
1	PROFILE SEAL	NEOPRENE		BLACK	10				
1	SPRING WASHER	STEEL	ZINK PLATED		9	V3.2			
1	SLOTTED COUNTER FLAT HEAD SCREW	STEEL	ZINK PLATED		8	M3x6			
4	SLOTTED CHEESE HEAD SCREW	BRASS	NICKEL PLATED		7	M3x5.5			
1	EARTING CONTACT PIN WITH ANGLE	BRASS	GOLD PLATED		6				
1	EARTING CONTACT PIN WITH ANGLE	BRASS	SILVER PLATED		5				
3	CONTACT PIN	BRASS	GOLD PLATED		4				
3	CONTACT PIN	BRASS	SILVER PLATED		3				
1	COVER	PC		BEIGE	2				
1	MALE INSERT	PC		BEIGE	1				
0-3	0-2	0-1	1-1	DESCRIPTION	MATERIAL	SURFACE	COLOR	ITEM	NOTES
				HA.3.Sti.S					
				HA.3.Sti.S-AU					
				HA.3.Sti.S-KM					
				HA.3.Sti.S					

THIS DRAWING IS A CONTROLLED DOCUMENT FOR AMP INCORPORATED. IT IS SUBJECT TO CHANGE AND THE CONTROLLING ORGANIZATION SHALL BE RESPONSIBLE FOR THE REVISIONS. DIESE ZEICHNUNG IST EIN KONTROLLIERTES DOKUMENT FÜR AMP INCORPORATED. ES IST AN DER VERANTWORTLICHEN ORGANISATION FÜR VERÄNDERUNGEN UND DIE VERANTWORTLICHEN ORGANISATION TRÄGT DIE VERANTWORTUNG FÜR DIE REVISIONEN. DIE JEWEILIGEN LETZTGÜLTIGEN ÄNDERUNGSSTAND ERFAHREN SIE AUF ANFRAGE.

DIMENSIONS: DIMENSIONEN: mm

TOLERANCES UNLESS OTHERWISE SPECIFIED: ALLE DIMENSIONEN UNLESS OTHERWISE SPECIFIED: mm

0 PLC #
1 PLC #
2 PLC #
3 PLC #
ANGLES / WINKEL #

MATERIAL FINISH / OBERFLÄCHE / FARBE WEIGHT / GEWICHT

DWN SCHNEIDER 24.09.1999
CHK KRAMER 24.09.1999
APVD T.SCHNURPFEL 27.03.2006

PRODUCT SPEC. 108-74055
APPLICATION SPEC. 114-74056

NAME MALE INSERT
HA.3.STI.S

SIZE A2 CAGE CODE 00779 DRAWING NO. 1103400

CUSTOMER DRAWING / KUNDENZEICHNUNG SCALE 1:1 SHEET 1 OF 1 REV. C2