



Chipsmall Limited consists of a professional team with an average of over 10 year of expertise in the distribution of electronic components. Based in Hongkong, we have already established firm and mutual-benefit business relationships with customers from,Europe,America and south Asia,supplying obsolete and hard-to-find components to meet their specific needs.

With the principle of “Quality Parts,Customers Priority,Honest Operation,and Considerate Service”,our business mainly focus on the distribution of electronic components. Line cards we deal with include Microchip,ALPS,ROHM,Xilinx,Pulse,ON,Everlight and Freescale. Main products comprise IC,Modules,Potentiometer,IC Socket,Relay,Connector.Our parts cover such applications as commercial,industrial, and automotives areas.

We are looking forward to setting up business relationship with you and hope to provide you with the best service and solution. Let us make a better world for our industry!



## Contact us

Tel: +86-755-8981 8866 Fax: +86-755-8427 6832

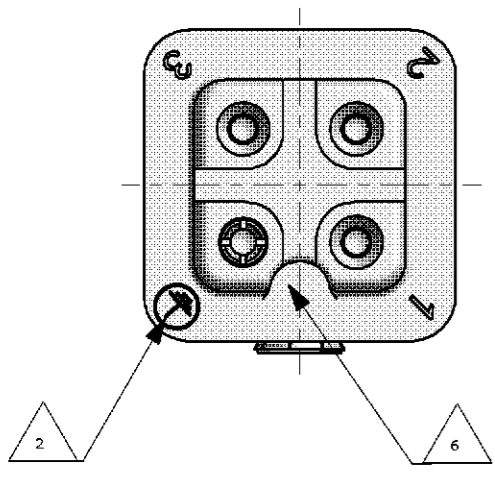
Email & Skype: info@chipsmall.com Web: www.chipsmall.com

Address: A1208, Overseas Decoration Building, #122 Zhenhua RD., Futian, Shenzhen, China

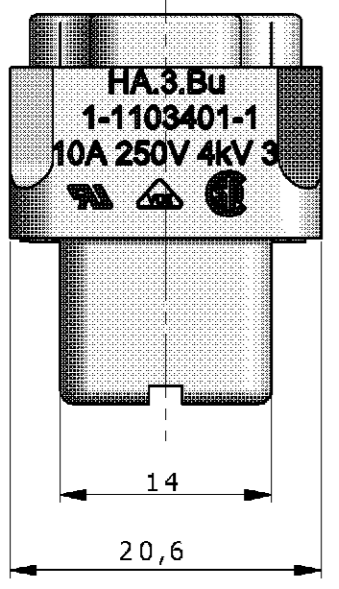


LOC	DIST	REVISIONS ÄNDERUNGEN				DATE	DWN	APVD
AI	-	P	LTR	DESCRIPTION BESCHREIBUNG				
PROJECT NR.	HA.3/4	C1		PRINTING CORRECTED ECR-06-021058	01.09.2006	SR	SM	

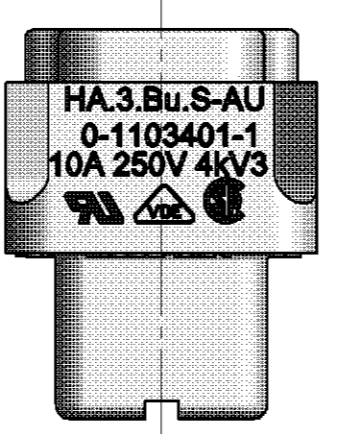
CONTACT ARRANGEMENT  
VIEW FROM CONNECTING SIDE



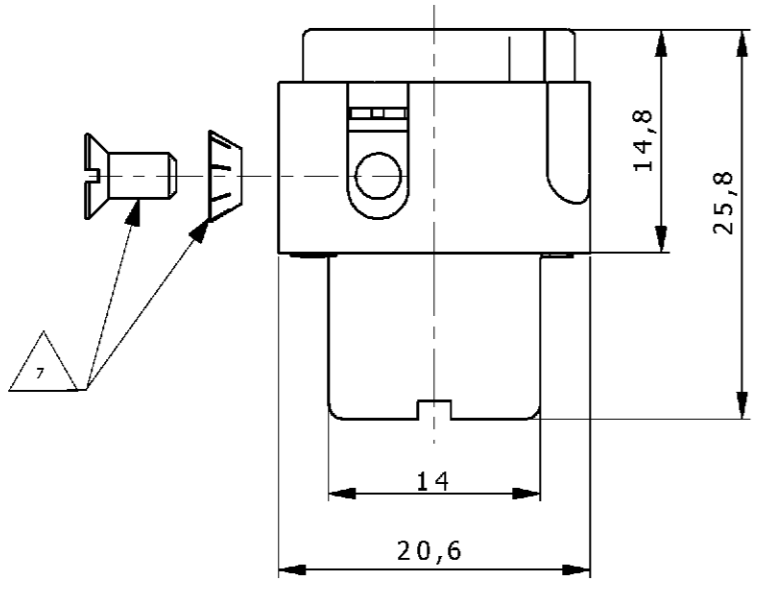
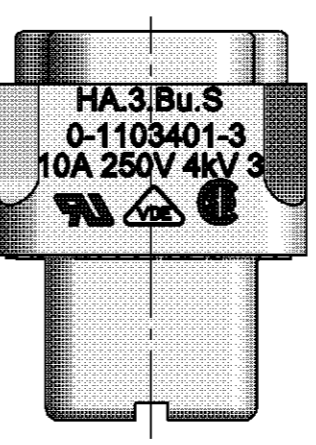
LATERAL PRINT  
PN 1-1



LATERAL PRINT  
PN 0-1



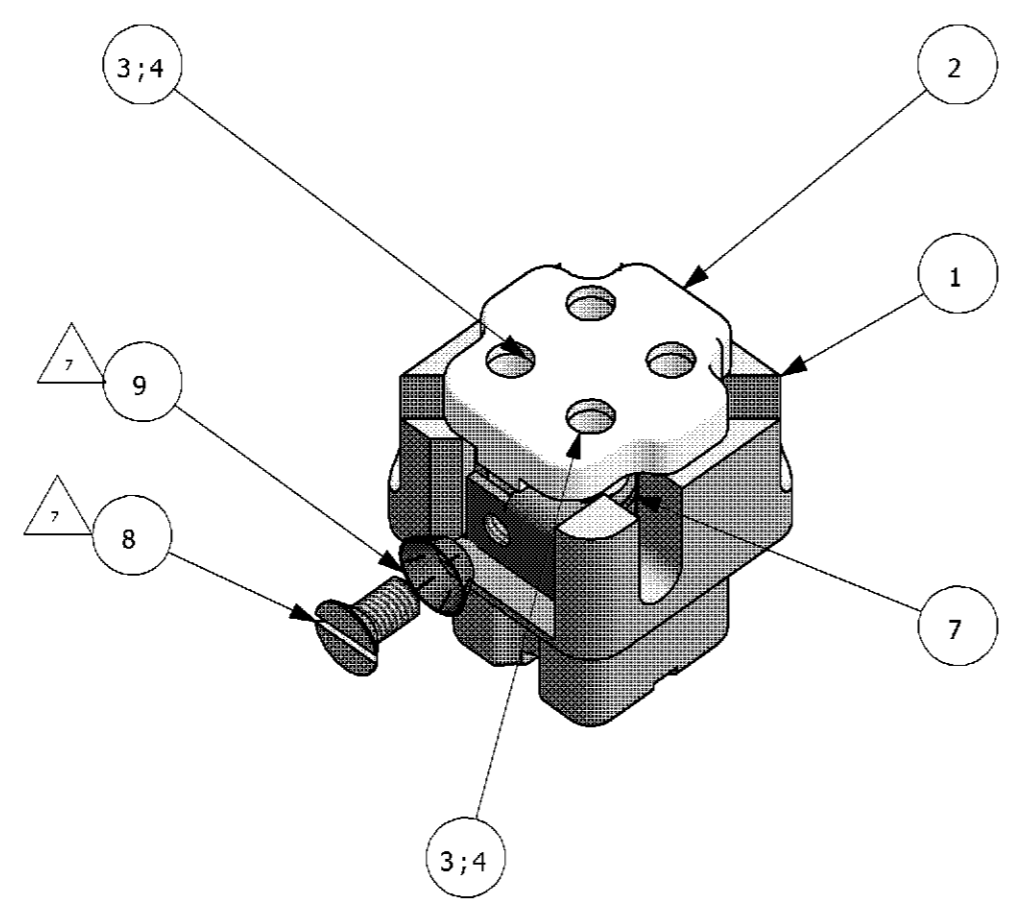
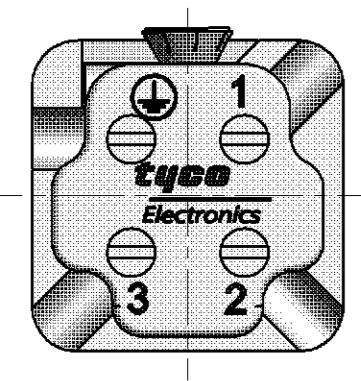
LATERAL PRINT  
PN 0-3



NOTES

- 1 CONTACT: 1 TO 3  
SUITABLE SCREW CONTACTS: SERIES HA.3  
OUTER DIMENSIONS OF INSULATION: MAX. Ø3,4 MM
- 2 GROUNDING CONTACT:  
SUITABLE SCREW CONTACTS: SERIES HA.3  
OUTER DIMENSIONS OF INSULATION: MAX. Ø3,4 MM
- 3 SUITABLE HOOD SIZE 1: SERIES HA; HD; EMV AND HIP
- 4 SUITABLE INSERTION AND EXTRACTION TOOL:  
SCREWDRIVER 2,0x65
- 5 STANDARDS:  
DIN EN 61984; DIN EN 60664-1
- 6 POLARIZATION RIPS
- 7 POS. 8 AND POS.9 PACKED SEPARATE IN POLY BAG
- 8 AUTHORIZATION: UL; CSA; VDE; SEV
- 9 PACKAGING:  
10 SETS IN A CARTON, PRE-MOUNTED
- 10 PACKAGING:  
200 SETS IN A CANN-BAN BOX

CONTACT ARRANGEMENT  
VIEW FROM TERMINATION SIDE



QTY	QTY	QTY	QTY	DESCRIPTION	MATERIAL	COLOR	SURFACE	ITEM	NOTES
1	1	1		SPRING WASHER	SEEL		ZINK PLATED	9	V3.2
1	1	1		SLOTTED OUTER FLAT HEAD SCREW	SEEL		ZINK PLATED	8	M3x6
4	4	4	4	SLOTTED CHEESE HEAD SCREW	BRASS		NICKEL PLATED	7	M3x5.5
1				EARTING CONTACT PIN WITH ANGLE	BRASS		SILVER PLATED	6	
1		1	1	EARTING CONTACT SOCKET WITH ANGLE	BRASS		GOLD PLATED	5	
3				CONTACT SOCKET	BRASS		GOLD PLATED	4	
3		3	3	CONTACT SOCKET	BRASS		SILVER PLATED	3	
1	1	1	1	COVER	PC	BEIGE		2	
1	1	1	1	FEMALE INSERT	PC	BEIGE		1	
QTY	QTY	QTY	QTY	DESCRIPTION	MATERIAL	COLOR	SURFACE	ITEM	NOTES
0-3	0-2	0-1	1-1						
				HA.3.Bu.S					
				HA.3.Bu.S-AU					
				HA.3.Bu.S-KM					
				HA.3.Bu.S					

THIS DRAWING IS A CONTROLLED DOCUMENT FOR AMP INCORPORATED. IT IS SUBJECT TO CHANGE AND THE CONTROLLING ENGINEERING ORGANIZATION SHOULD BE CONTACTED FOR THE LATEST REVISION. DIESSES ZEICHNUNGSDOKUMENT WIRD DURCH AMP IN KONTROLLE KONTROLLIERT. ANDERÄNDERUNGEN, DIE DEM TECHNISCHEN FORTSCHRITT ÜBEREN, SIND VORZUHALTEN. DEN VEREINBARTETZTE QUALITÄT ANFORDERUNGEN BEFOLGEN SIE AMP ANFANG.

DIMENSIONS:  
DIMENSIONEN:  
m/m

TOLERANCES UNLESS OTHERWISE SPECIFIED:  
ALLGEMEIN TOLERANZEN

m. ISO 8015 - m H-E  
m. ISO 2768 - m H-E  
m. DIN 16981 - 140

Ø PLC #  
1 PLC #  
2 PLC #  
3 PLC #  
ANGLES / WINKEL #

MATERIAL FINISH / OBERFLÄCHE / FARBE

WEIGHT / GEWICHT 0,013 KG

DWN SCHNEIDER 09.05.2006  
CHK KRAMER 24.09.1999  
APVD T.SCHNURPFEL 10.04.2006

PRODUCT SPEC. / PRODUKTSPEZ. 108-74055  
APPLICATION SPEC. / VERARBEITUNGSSPEZ. 114-74056

NAME FEMALE INSERT  
HA.3.BU.S

SIZE A2 CAGE CODE 00779 DRAWING NO. / ZEICHNUNGS-NR. 1103401

RESTRICTED TO NUR FÜR

CUSTOMER DRAWING / KUNDENZEICHNUNG SCALE / MASSSTAB 1:1 SHEET / BLATT 1 OF / VON 1 REV. / C1

Tyco Electronics AMP GmbH  
D - 53819 Neunkirchen