



Chipsmall Limited consists of a professional team with an average of over 10 year of expertise in the distribution of electronic components. Based in Hongkong, we have already established firm and mutual-benefit business relationships with customers from,Europe,America and south Asia,supplying obsolete and hard-to-find components to meet their specific needs.

With the principle of “Quality Parts,Customers Priority,Honest Operation,and Considerate Service”,our business mainly focus on the distribution of electronic components. Line cards we deal with include Microchip,ALPS,ROHM,Xilinx,Pulse,ON,Everlight and Freescale. Main products comprise IC,Modules,Potentiometer,IC Socket,Relay,Connector.Our parts cover such applications as commercial,industrial, and automotives areas.

We are looking forward to setting up business relationship with you and hope to provide you with the best service and solution. Let us make a better world for our industry!



Contact us

Tel: +86-755-8981 8866 Fax: +86-755-8427 6832

Email & Skype: info@chipsmall.com Web: www.chipsmall.com

Address: A1208, Overseas Decoration Building, #122 Zhenhua RD., Futian, Shenzhen, China

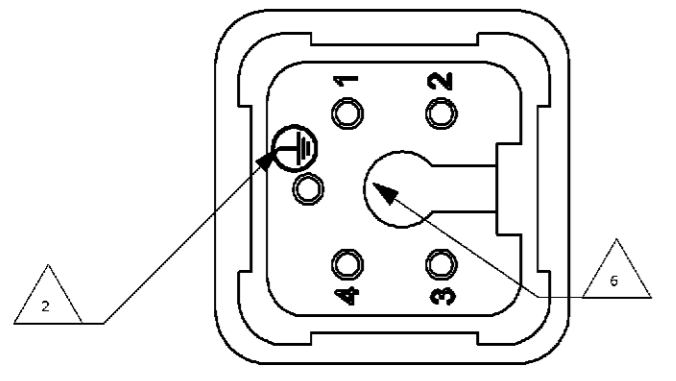


LOC	DIST	REVISIONS ÄNDERUNGEN					
AI	-	P	LTR	DATE	DWN	APVD	
PROJECT NR.	C1	PRINTING CORRECTED ECR-06-021058			31.08.2006	SR	SM

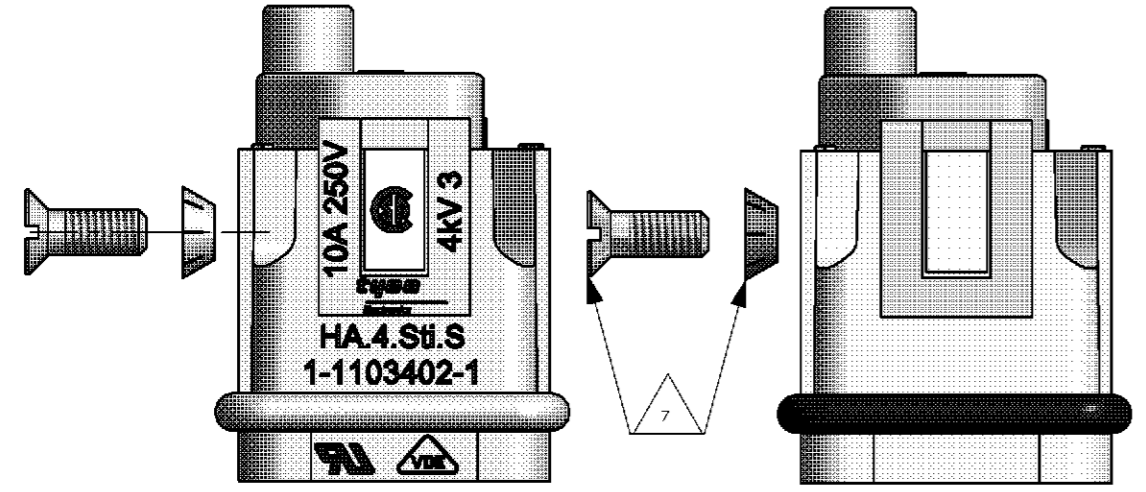
NOTES

- 1 CONTACT: 1 TO 4
SUITABLE SCREW CONTACTS: SERIES HA.3
OUTER DIMENSIONS OF INSULATION: MAX. Ø3,4 MM
- 2 △ GROUNDING CONTACT:
SUITABLE SCREW CONTACTS: SERIES HA.4
OUTER DIMENSIONS OF INSULATION: MAX. Ø3,4 MM
- 3 SUITABLE HOOD SIZE 1: SERIES HA; HD; EMV AND HIP
- 4 SUITABLE INSERTION AND EXTRACTION TOOL:
SCREWDRIVER 2,0x65
- 5 STANDARDS:
DIN EN 61984; DIN EN 60664-1
- 6 △ POLARIZATION RIPS
- 7 △ POS. 8 AND POS.9 PACKED SEPARATE IN POLY BAG
- 8 AUTHORIZATION: UL; CSA; VDE; SEV
- 9 PACKAGING:
10 SETS IN A CARTON, PRE-MOUNTED

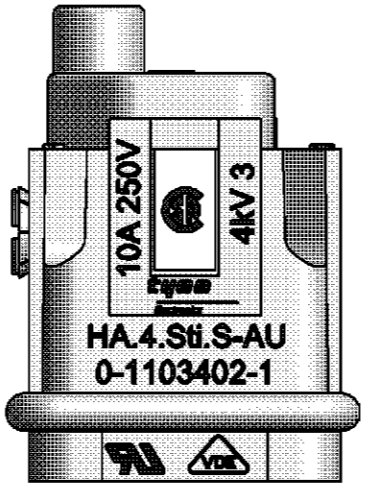
CONTACT ARRANGEMENT
VIEW FROM CONECTING SIDE



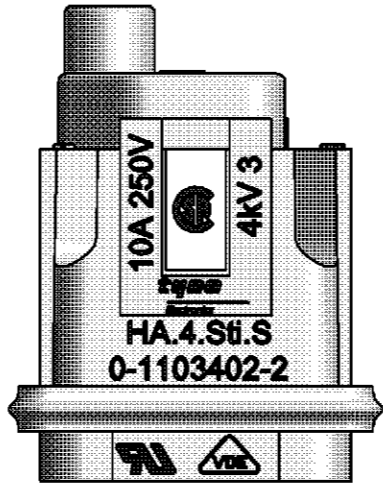
LATERAL PRINT
PN 1-1



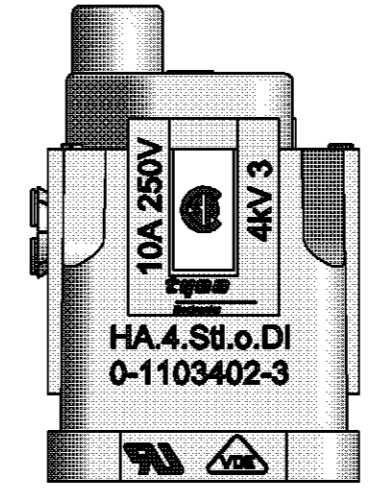
LATERAL PRINT
PN 0-1



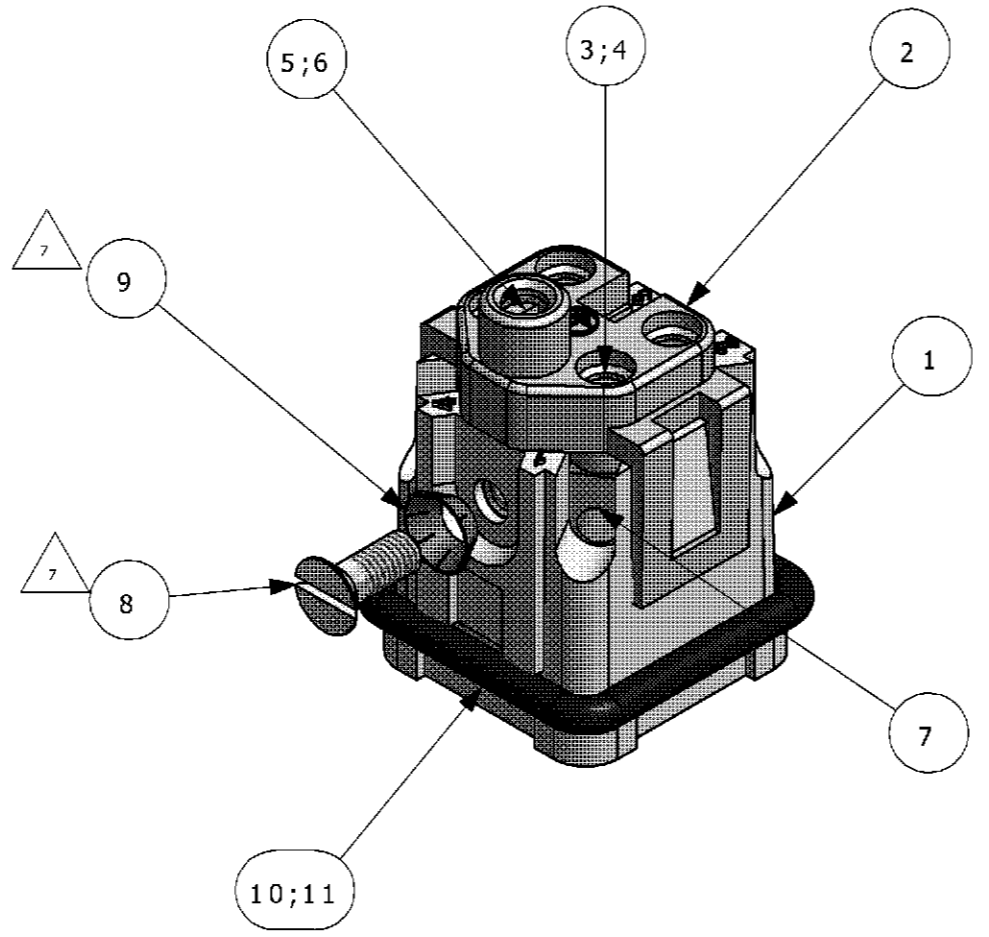
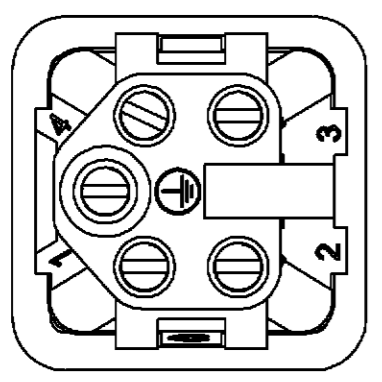
LATERAL PRINT
PN 0-2



LATERAL PRINT
PN 0-3



CONTACT ARRANGEMENT
VIEW FROM TERMINATION SIDE



QTY	DESCRIPTION	MATERIAL	SURFACE	COLOR	ITEM	NOTES			
1	PROFILE SEAL	NEOPRENE		BLACK	11	CONDUCTIV			
1	PROFILE SEAL	NEOPRENE		BLACK	10				
1	SPRING WASHER	STEEL	ZINK PLATED		9	V3.2			
1	SLOTTED COUNTER FLAT HEAD SCREW	STEEL	ZINK PLATED		8	M3x8			
5	SLOTTED CHEESE HEAD SCREW	BRASS	NICKEL PLATED		7	M3x5.5			
1	EARTING CONTACT PIN WITH ANGLE	BRASS	GOLD PLATED		6				
1	EARTING CONTACT SOCKET WITH ANGLE	BRASS	SILVER PLATED		5				
4	CONTACT SOCKET	BRASS	GOLD PLATED		4				
4	CONTACT SOCKET	BRASS	SILVER PLATED		3				
1	COVER	PC		BEIGE	2				
1	MALE INSERT	PC		BEIGE	1				
0-3	0-2	0-1	1-1	DESCRIPTION	MATERIAL	SURFACE	COLOR	ITEM	NOTES

HA.4.Sti.S
HA.4.Sti.S-AU
HA.4.Sti.S
HA.4.Sti.S.o.Di

THIS DRAWING IS A CONTROLLED DOCUMENT FOR AMP INCORPORATED. IT IS SUBJECT TO CHANGE AND THE CONTROLLING ENGINEERING ORGANIZATION SHOULD BE CONTACTED FOR THE LATEST REVISION. DIESSES ZEICHNUNGSDOKUMENT WIRD DURCH AMP INCORPORATED KONTROLLIERT. ÄNDERUNGEN, DIE DEM TECHNISCHEN FORTSCHRITT ÜBEREINSTIMMEN, SIND VORZUZIEHEN. DEN VERWEIS SIE ZU QUALITÄT UND ANDEREN STANDS BEZIEHUNG SIE AUF ANFANG.

DIMENSIONS:
DIMENSIONEN:
m/m

TOLERANCES UNLESS OTHERWISE SPECIFIED:
ALLGEMEIN TOLERANZEN

FINISH / OBERFLÄCHE / FARBE

WEIGHT / GEWICHT

DWN H.BRAUN 29.07.1997
CHK SCHWEIGER 29.07.1997
APVD T.SCHNURPFEL 27.03.2006

NAME
T.SCHNURPFEL
PRODUCT SPEC. 108-74008
APPLICATION SPEC. 114-74010
VERARBEITUNGSSPEZ.

SCALE MASSSTAB 1:1
SHEET BLATT 1 OF VON 1
REV. C1

tyco Tyco / Electronics AMP GmbH
D - 53819 Neunkirchen

MALE INSERT
HA.4.STI.S

DRAWING NO. ZEICHNUNGS-NR. **1103402**

CUSTOMER DRAWING / KUNDENZEICHNUNG