



Chipsmall Limited consists of a professional team with an average of over 10 year of expertise in the distribution of electronic components. Based in Hongkong, we have already established firm and mutual-benefit business relationships with customers from,Europe,America and south Asia,supplying obsolete and hard-to-find components to meet their specific needs.

With the principle of “Quality Parts,Customers Priority,Honest Operation,and Considerate Service”,our business mainly focus on the distribution of electronic components. Line cards we deal with include Microchip,ALPS,ROHM,Xilinx,Pulse,ON,Everlight and Freescale. Main products comprise IC,Modules,Potentiometer,IC Socket,Relay,Connector.Our parts cover such applications as commercial,industrial, and automotives areas.

We are looking forward to setting up business relationship with you and hope to provide you with the best service and solution. Let us make a better world for our industry!



Contact us

Tel: +86-755-8981 8866 Fax: +86-755-8427 6832

Email & Skype: info@chipsmall.com Web: www.chipsmall.com

Address: A1208, Overseas Decoration Building, #122 Zhenhua RD., Futian, Shenzhen, China

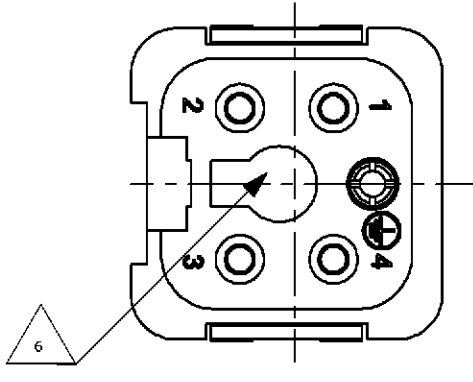


LOC	DIST	REVISIONS ÄNDERUNGEN					
AI	-	P	LTR	DESCRIPTION BESCHREIBUNG	DATE	DWN	APVD
PROJECT NR.	-	C1		PRINTING CORRECTED ECR-06-021058	01.09.2006	SR	SM
		C2		ECR-10-000005	09FEB10	RK	SRE

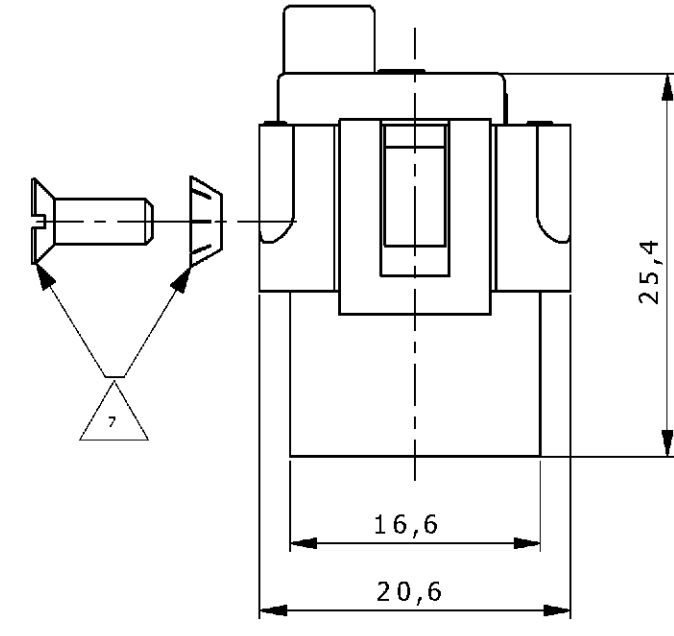
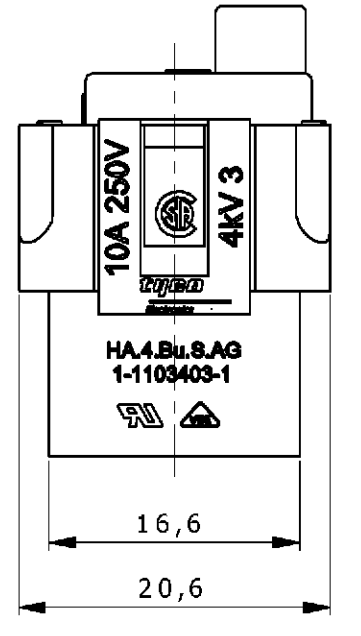
NOTES

- 1 CONTACT: 1 TO 4
SUITABLE SCREW CONTACTS: SERIES HA.3
OUTER DIMENSIONS OF INSULATION: MAX. Ø3,4 MM
- 2 GROUNDING CONTACT:
SUITABLE SCREW CONTACTS: SERIES HA.4
OUTER DIMENSIONS OF INSULATION: MAX. Ø3,4 MM
- 3 SUITABLE HOOD SIZE 1: SERIES HA; HD; EMV AND HIP
- 4 SUITABLE INSERTION AND EXTRACTION TOOL:
SCREWDRIVER 2,0x65
- 5 STANDARDS:
DIN EN 61984; DIN EN 60664-1
- 6 POLARIZATION RIPS
- 7 POS. 8 AND POS.9 PACKED SEPARATE IN POLY BAG
- 8 AUTHORIZATION: UL; CSA; VDE; SEV
- 9 PACKAGING:
10 SETS IN A CARTON, PRE-MOUNTED

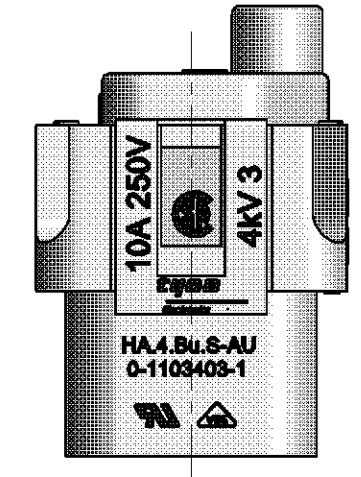
CONTACT ARRANGEMENT
VIEW FROM CONNECTING SIDE



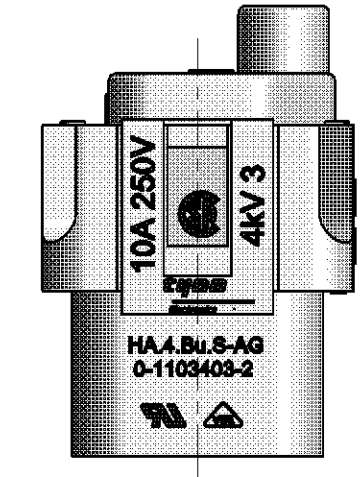
LATERAL PRINT
PN 1-1



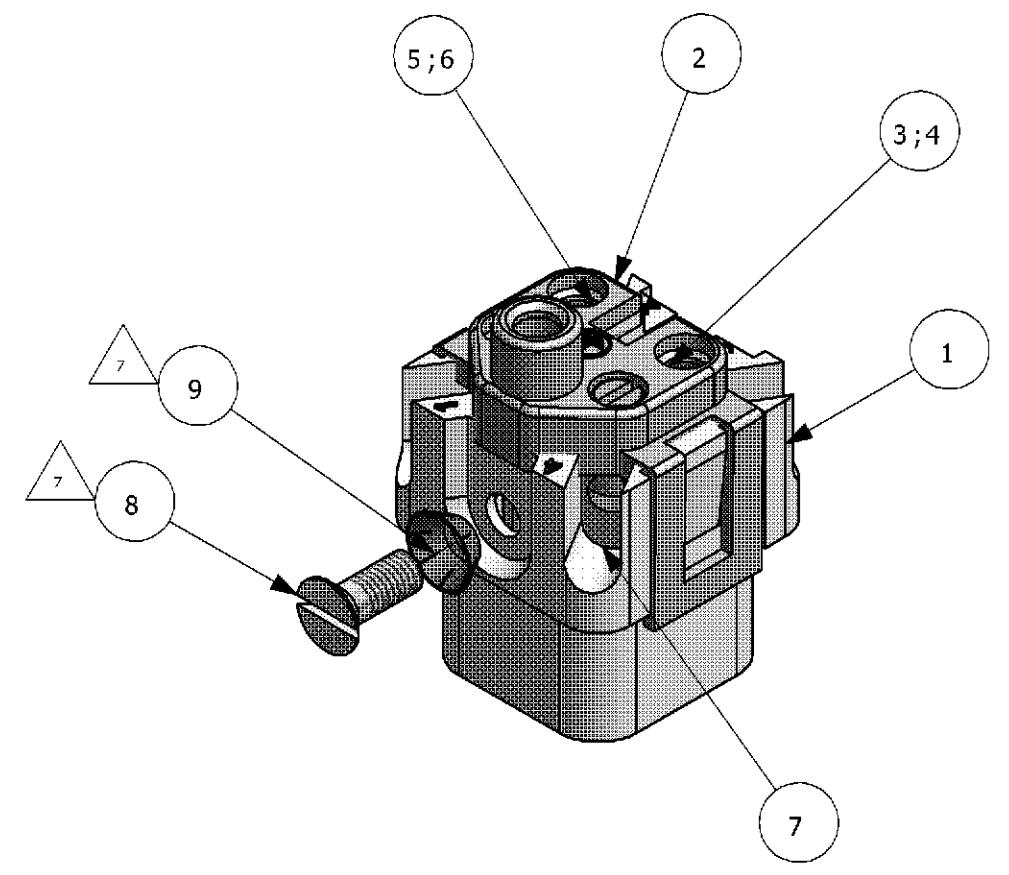
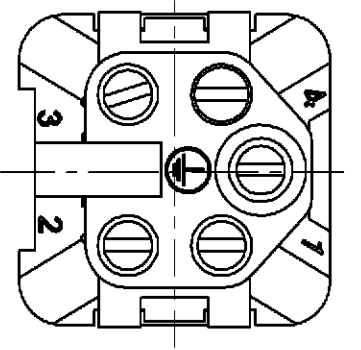
LATERAL PRINT
PN 0-1



LATERAL PRINT
PN 0-2



CONTACT ARRANGEMENT
VIEW FROM TERMINATION SIDE



QTY	DESCRIPTION	MATERIAL	COLOR	SURFACE	ITEM	NOTES
1	1 SPRING WASHER	STEEL		ZINK PLATED	9	V3.2
1	1 SLOTTED COUNTER FLAT HEAD SCREW	STEEL		ZINK PLATED	8	M3x8
5	5 SLOTTED CHEESE HEAD SCREW	BRASS		NICKEL PLATED	7	M3x5.5
1	1 CONTACT SOCKET	BRASS		GOLD PLATED	6	
1	1 CONTACT SOCKET	BRASS		SILVER PLATED	5	
4	4 CONTACT SOCKET	BRASS		GOLD PLATED	4	
4	4 CONTACT SOCKET	BRASS		SILVER PLATED	3	
1	1 COVER	LEXAN	BEIGE		2	
1	1 MALE INSERT	LEXAN	BEIGE		1	
0-2	0-1 1-1					
HA.4.Bu.S						
HA.4.Bu.S-Au						
HA.4.Bu.S						

THIS DRAWING IS A CONTROLLED DOCUMENT FOR AMP INCORPORATED. IT IS SUBJECT TO CHANGE AND THE CONTROLLING ENGINEERING ORGANIZATION SHOULD BE CONTACTED FOR THE LATEST REVISION. DIESSES ZEICHNUNGSOKUMENT WIRD DURCH AMP INCORPORATED KONTROLLIERT. ÄNDERUNGEN, DIE DEM TECHNISCHEN FORTSCHRITT ÜBEREIN, SIND VORZUHALTEN. DEN VEREINBARTETZTELENDÄNDERUNGEN SIND BEFOLGEN SIE AMP ANFANG.

DIMENSIONS: DIMENSIONEN: m m

TOLERANCES UNLESS OTHERWISE SPECIFIED: ALLGEMEIN TOLERANZEN
 m: ISO 8013 - m H-E
 m: ISO 2768 - m H-E
 m: DIN 16981 - 140

0 PLC #
 1 PLC #
 2 PLC #
 3 PLC #
 ANGLES / WINKEL #

MATERIAL FINISH / OBERFLÄCHE / FARBE

WEIGHT / GEWICHT: 0,0013 KG

DWN: H.BRAUN 29.07.1997
 CHK: KRAMER 29.07.1997
 APVD: T.SCHNURPFEL 28.03.2006

NAME: T.SCHNURPFEL
 PRODUCT SPEC. / PRODUKTSPEZ.: 108-74008
 APPLICATION SPEC. / VERARBEITUNGSSPEZ.: 114-74010

SIZE: A2
 CAGE CODE: 00779
 DRAWING NO. / ZEICHNUNGS-NR.: 1103403

RESTRICTED TO NUR FÜR

CUSTOMER DRAWING / KUNDENZEICHNUNG SCALE: 1:1 SHEET: 1 OF: 1 REV.: C2