



Chipsmall Limited consists of a professional team with an average of over 10 year of expertise in the distribution of electronic components. Based in Hongkong, we have already established firm and mutual-benefit business relationships with customers from,Europe,America and south Asia,supplying obsolete and hard-to-find components to meet their specific needs.

With the principle of “Quality Parts,Customers Priority,Honest Operation,and Considerate Service”,our business mainly focus on the distribution of electronic components. Line cards we deal with include Microchip,ALPS,ROHM,Xilinx,Pulse,ON,Everlight and Freescale. Main products comprise IC,Modules,Potentiometer,IC Socket,Relay,Connector.Our parts cover such applications as commercial,industrial, and automotives areas.

We are looking forward to setting up business relationship with you and hope to provide you with the best service and solution. Let us make a better world for our industry!



Contact us

Tel: +86-755-8981 8866 Fax: +86-755-8427 6832

Email & Skype: info@chipsmall.com Web: www.chipsmall.com

Address: A1208, Overseas Decoration Building, #122 Zhenhua RD., Futian, Shenzhen, China



4

3

2

1

THIS DRAWING IS UNPUBLISHED.
VERTRAULICHE UNVEROFFENTLICHTE ZEICHNUNG

RELEASED FOR PUBLICATION
FREI FUER VEROFFENTLICHUNG
,1997

MATED WITH:
PASSEND ZU:
BG1

LOC
A1

DIST
-

P

LTR

REVISIONS
AENDERUNGEN
DESCRIPTION
BESCHREIBUNG

DATE

DWN

APVD

© COPYRIGHT 1997

BY TE INCORPORATED. ALL RIGHTS RESERVED.
ALLE RECHTE VORBEHALTEN

PROJEKT NR.:

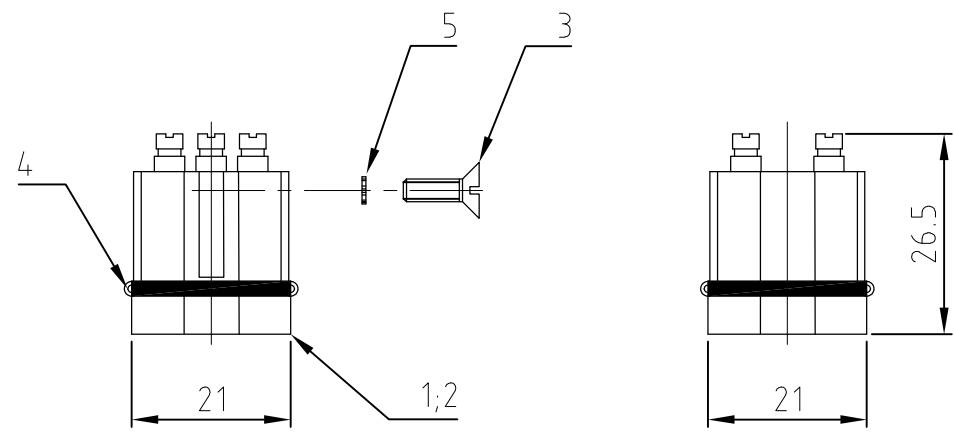
A5

ECR-10-021198

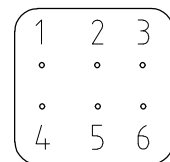
24.02.11

SR

AR



Kontaktanordnung
Contact arrangement



Notes,

1 Material: insert, PC
Neoprene

2 Packaging quantity
10 pieces

3 special Packaging

OBSOLETE

1	1	1	1	Serrated lock washer	steel	zinc plated	5	
1	1	1	1	seal	Neoprene	black	4	
1	1	1	1	sheet metal screw	Stahl/stee	zinc plated	3	B2.9x9.5
1	-	1	-	pin insert STA.6		light beige	2	
-	1	-	1	pin insert screw STA.6		light beige	1	
3-2	0-1	3-1	1-1	DESCRIPTION / BENENNUNG	MATERIAL	COLOR / FARBE	ITEM NO. POS.	REMARKS / BEMERKUNGEN

STA.6.Sti.L.Au STA.6.Sti.S.KM STA.6.Sti.L STA.6.Sti.S ORDERING TEXT / BESTELLTEXT	THIS DRAWING IS A CONTROLLED DOCUMENT FOR TE INCORPORATED. IT IS SUBJECT TO CHANGE AND THE CONTROLLING ENGINEERING ORGANIZATION SHOULD BE CONTACTED FOR THE LATEST REVISION. DIESES ZEICHNUNGSDOKUMENT WIRD DURCH TE INCORPORATED KONTROLLIERT. AENDERUNGEN, DIE DEM TECHNISCHEN FORTSCHRITT DIENEN, SIND VORBEHALTEN. DEN JEWEILS LETZTIGUELITIGEN AENDERUNGSSTAND ERFAHREN SIE AUF ANFRAGE.	DWN SCHNEIDER 26.03.2001	Tyco Electronics AMP GmbH 53757 Sankt Augustin Germany		
		CHK SCHWEIGER 26.03.2001	Tyco Electronics		
		APVD -	NAME PIN-INSERT STA.6.STI.S/L		
		PRODUCT SPEC PRODUKTSPEZ. -	DRAWING NO ZEICHNUNGS-NR. G-1103501		
MATERIAL -	FINISH / OBERFLAECHE / FARBE -	WEIGHT GEWICHT -	SIZE A3	CAGE CODE 00779	RESTRICTED TO NUR FUER -
CUSTOMER/DRAWING /KUNDENZEICHNUNG		MASSSTAB 1:1	BLATT 1	OF VON 1	REV A5