



Chipsmall Limited consists of a professional team with an average of over 10 year of expertise in the distribution of electronic components. Based in Hongkong, we have already established firm and mutual-benefit business relationships with customers from,Europe,America and south Asia,supplying obsolete and hard-to-find components to meet their specific needs.

With the principle of "Quality Parts,Customers Priority,Honest Operation,and Considerate Service",our business mainly focus on the distribution of electronic components. Line cards we deal with include Microchip,ALPS,ROHM,Xilinx,Pulse,ON,Everlight and Freescale. Main products comprise IC,Modules,Potentiometer,IC Socket,Relay,Connector.Our parts cover such applications as commercial,industrial, and automotives areas.

We are looking forward to setting up business relationship with you and hope to provide you with the best service and solution. Let us make a better world for our industry!



## Contact us

Tel: +86-755-8981 8866 Fax: +86-755-8427 6832

Email & Skype: info@chipsmall.com Web: www.chipsmall.com

Address: A1208, Overseas Decoration Building, #122 Zhenhua RD., Futian, Shenzhen, China



4

3

2

1

THIS DRAWING IS UNPUBLISHED.  
VERTRAULICHE UNVERÖFFENTLICHTE ZEICHNUNG

RELEASED FOR PUBLICATION  
FREI FUER VERÖFFENTLICHUNG  
1998

MATED WITH:  
PASSEND ZU:  
-

LOC A1  
DIST -

REVISIONS  
ÄNDERUNGEN

© COPYRIGHT 1998  
BY AMP INCORPORATED.

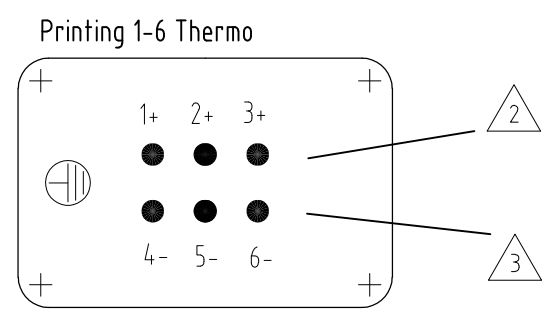
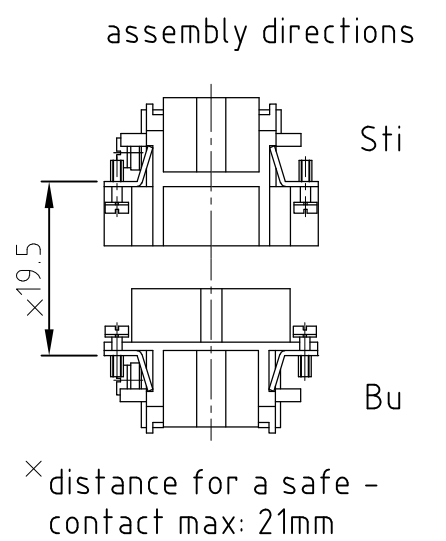
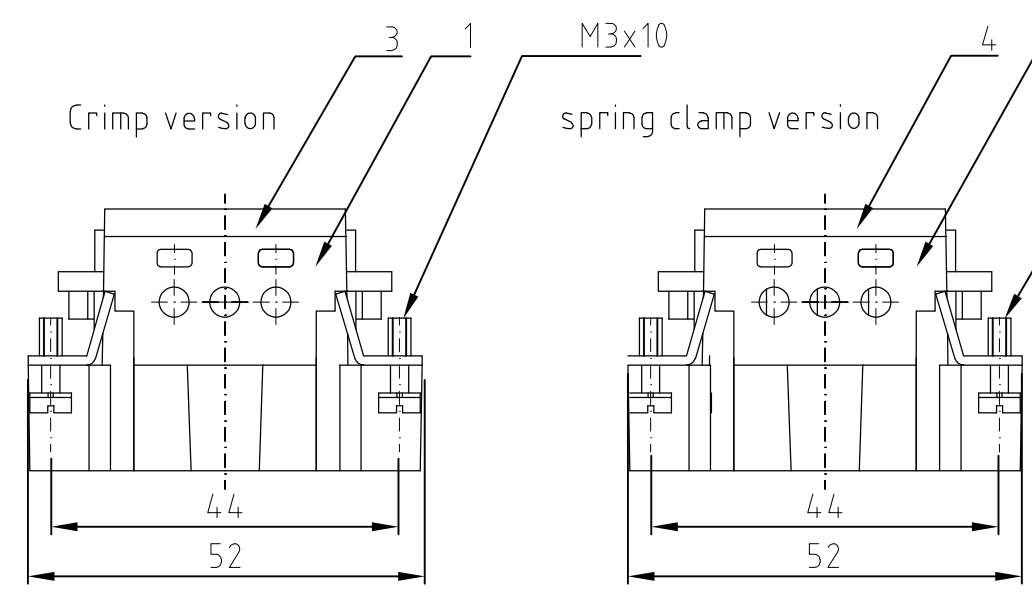
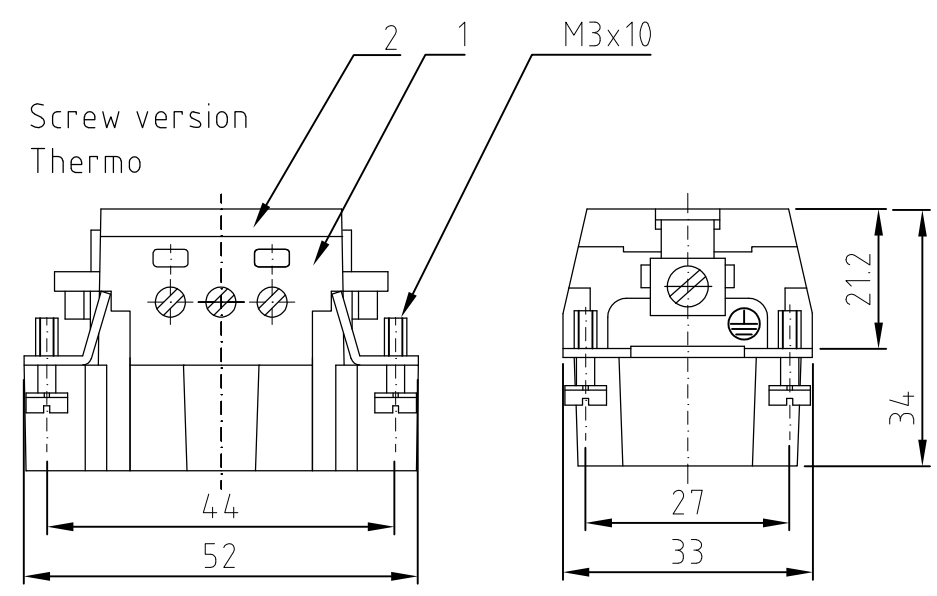
ALL RIGHTS RESERVED.  
ALLE RECHTE VORBEHALTEN

PROJEKT NR.:  
-

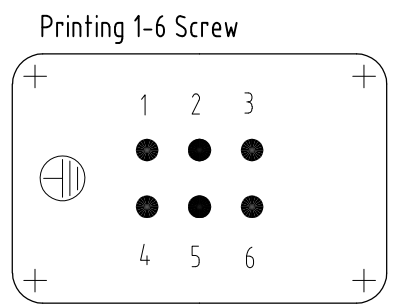
P LTR  
A6

DESCRIPTION  
BESCHREIBUNG  
text for packaging corrected ECR-08-001603

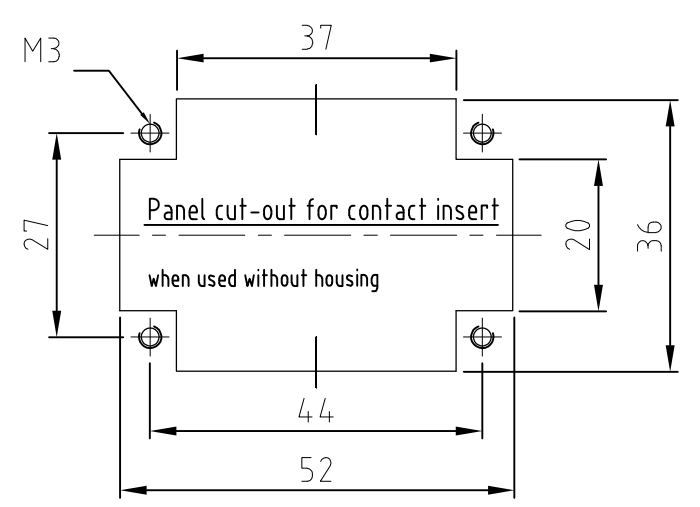
DATE 22.01.08  
DWN SR  
APVD ST



Contact arrangement  
view from termination side



- NOTES:
- 1 SUITABLE CRIMP CONTACTS: SERIES HE/HA  
OUTER DIMENSIONS OF INSULATION: MAX. Ø3,2 MM
  - 2 SUITABLE HOOD SIZE 5; 7; 9; 11; SERIES HA; HD  
SUITABLE INSERTION AND EXTRACTION TOOL:  
SCREWDRIVER 0,5x3 DIN 5264
  - 3 Strip lenght: Screw conection 10mm  
Spring clamp conection 10mm Crimp conection 7.5mm
  - 4 STANDARDS:  
DIN EN 61984; DIN EN 60664-1
  - 5 PACKAGING:  
5 SETS IN A CARTON, PRE-MOUNTED
  - 6 SPECIAL PACKAGING: Krauss-Maffei  
PACKAGING UNIT: 150 PIECES



		1			cover spring clamp version		light grey	4	
		1			cover crimp version		light grey	3	
1	1			1	cover screw version		light grey	2	
1	1	1	1	1	pin insert		light grey	1	
0-2	0-1	7-1	2-3	1-7	1-1	DESCRIPTION	MATERIAL	COLOR	ITEM NO. POS.

HE.6.Sti.S.KM	HE.6.Sti.S-AU	HE.6.Sti.S-C	HE.6.Sti.S-T	HE.6.Sti.S
---------------	---------------	--------------	--------------	------------

ORDERING TEXT

THIS DRAWING IS A CONTROLLED DOCUMENT FOR AMP INCORPORATED.  
IT IS SUBJECT TO CHANGE AND THE CONTROLLING ENGINEERING ORGANIZATION SHOULD BE CONTACTED FOR THE LATEST REVISION.  
DIESES ZEICHNUNGSDOKUMENT WIRD DURCH AMP INCORPORATED KONTROLLIERT.  
ÄNDERUNGEN, DIE DEM TECHNISCHEN FORTSCHRITT DIENEN, SIND VORBEHALTEN.  
DEN JEWEILS LETZTGÜELTIGEN ÄNDERUNGSSTAND ERFAHREN SIE AUF ANFRAGE.

DIMENSIONS: DIMENSIONEN: mm

TOLERANCES UNLESS OTHERWISE SPECIFIED: ALLGEMEINTOLERANZEN

ISO 8015  
D. ISO 2768 - mH -E  
D. DIN 16901 - 14.0

0 PLC #  
1 PLC #  
2 PLC #  
3 PLC #

ANGLES /WINKEL #  
FINISH /OBERFLÄCHE/FARBE

DWN Gräf 16.02.1999  
CHK Schweiger 18.02.1999

APVD -

PRODUCT SPEC  
PRODUKTSPEZ.

APPLICATION SPEC  
VERARBEITUNGSSPEZ.

WEIGHT  
GEWICHT -

CUSTOMER DRAWING /KUNDENZEICHNUNG

NAME  
Male insert  
Stifteinsatz HE.6.STI

SIZE A3  
CAGE CODE 00779  
DRAWING NO. ZEICHNUNGS-NR. 1103634

RESTRICTED TO NUR FUER -

SCALE MASSSTAB 1:1  
SHEET BLATT 1  
OF VON 1  
REV. A6

AMP HTS Elektrotechnik  
53819 Neunkirchen, Germany