



Chipsmall Limited consists of a professional team with an average of over 10 year of expertise in the distribution of electronic components. Based in Hongkong, we have already established firm and mutual-benefit business relationships with customers from,Europe,America and south Asia,supplying obsolete and hard-to-find components to meet their specific needs.

With the principle of “Quality Parts,Customers Priority,Honest Operation,and Considerate Service”,our business mainly focus on the distribution of electronic components. Line cards we deal with include Microchip,ALPS,ROHM,Xilinx,Pulse,ON,Everlight and Freescale. Main products comprise IC,Modules,Potentiometer,IC Socket,Relay,Connector.Our parts cover such applications as commercial,industrial, and automotives areas.

We are looking forward to setting up business relationship with you and hope to provide you with the best service and solution. Let us make a better world for our industry!



## Contact us

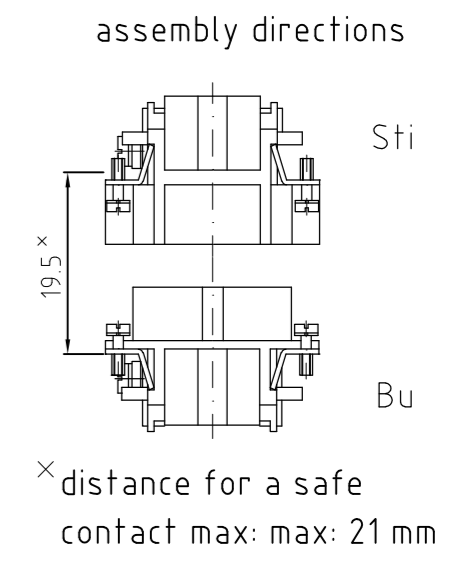
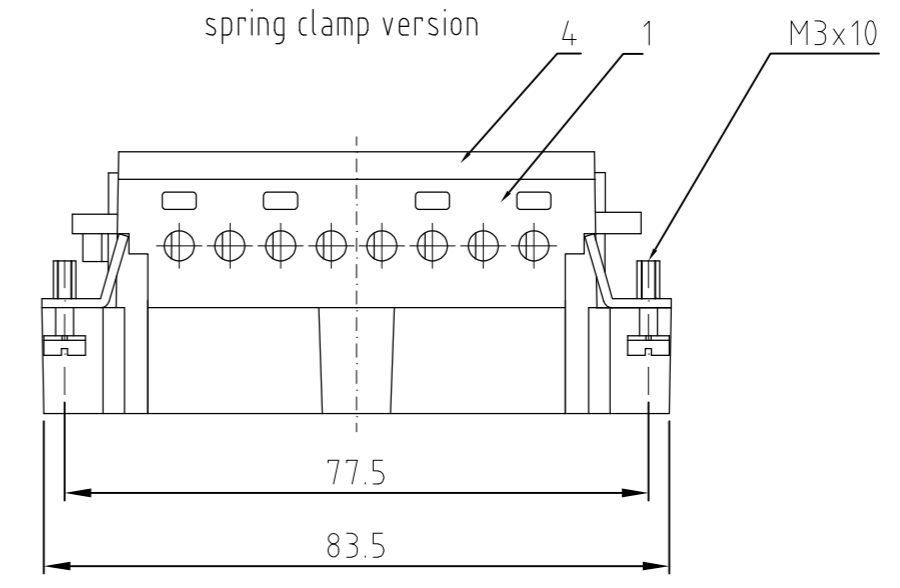
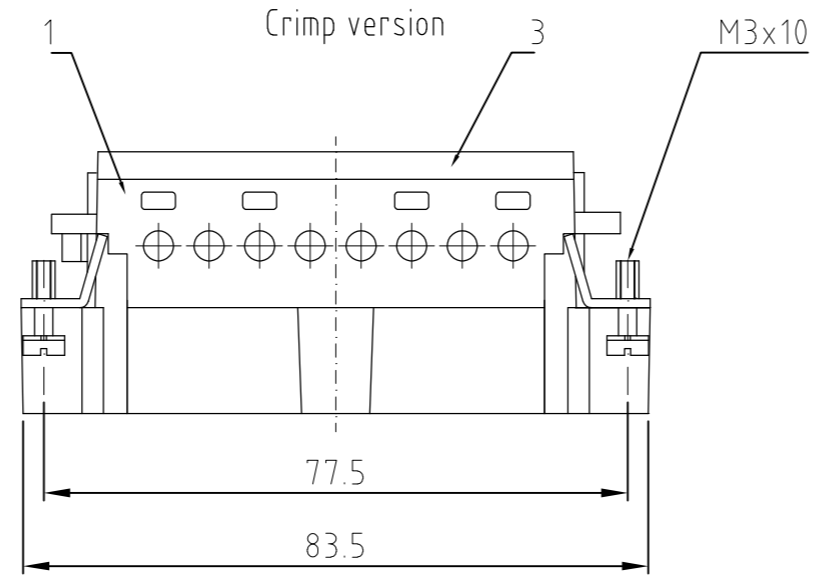
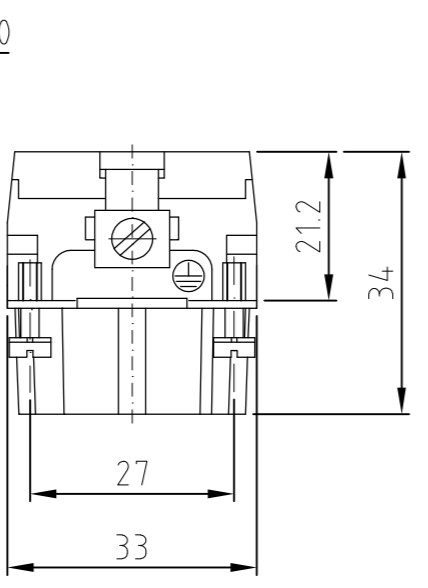
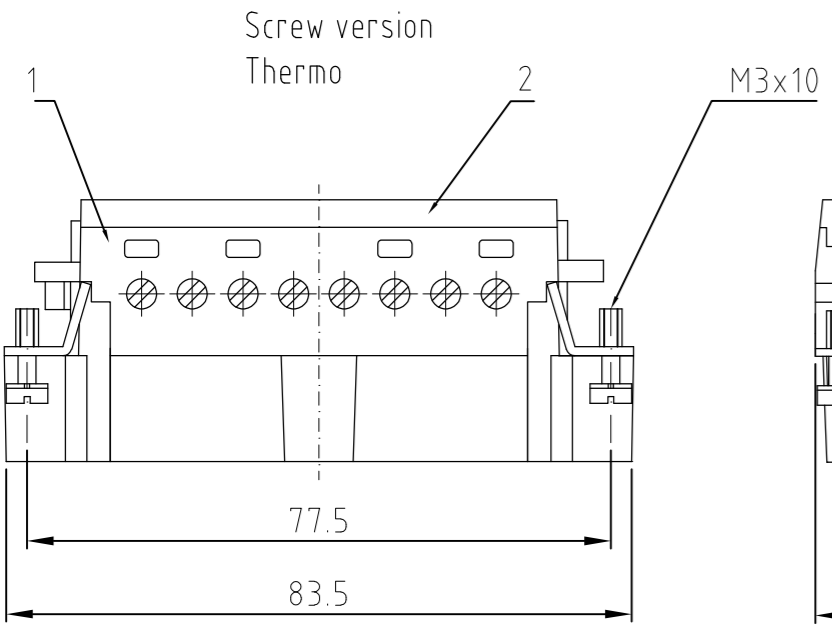
Tel: +86-755-8981 8866 Fax: +86-755-8427 6832

Email & Skype: info@chipsmall.com Web: www.chipsmall.com

Address: A1208, Overseas Decoration Building, #122 Zhenhua RD., Futian, Shenzhen, China

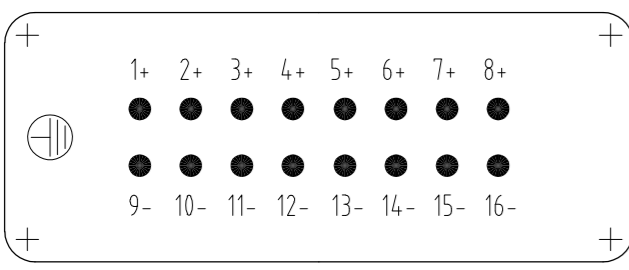


LOC	DIST	REVISIONS					
AI	-	P	LTR	DESCRIPTION	DATE	DWN	APVD
PROJEKT NR:	-	C8	text for packaging corrected	ECR-08-001868	22.01.08	SR	ST

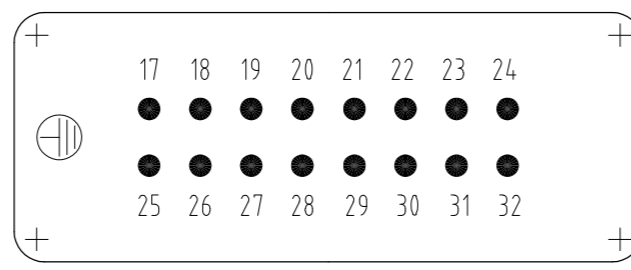


Contact arrangement view from termination side

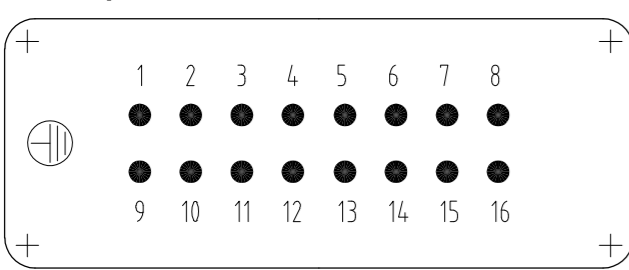
Printing 1-16 Thermo



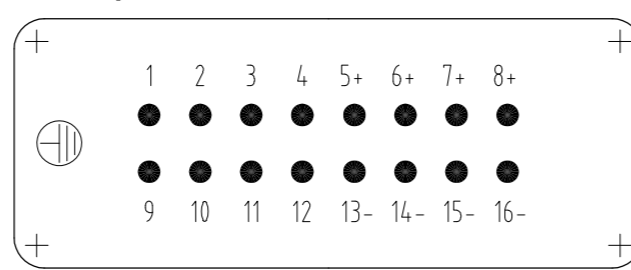
Printing 17-32 Screw



Printing 1-16 Screw



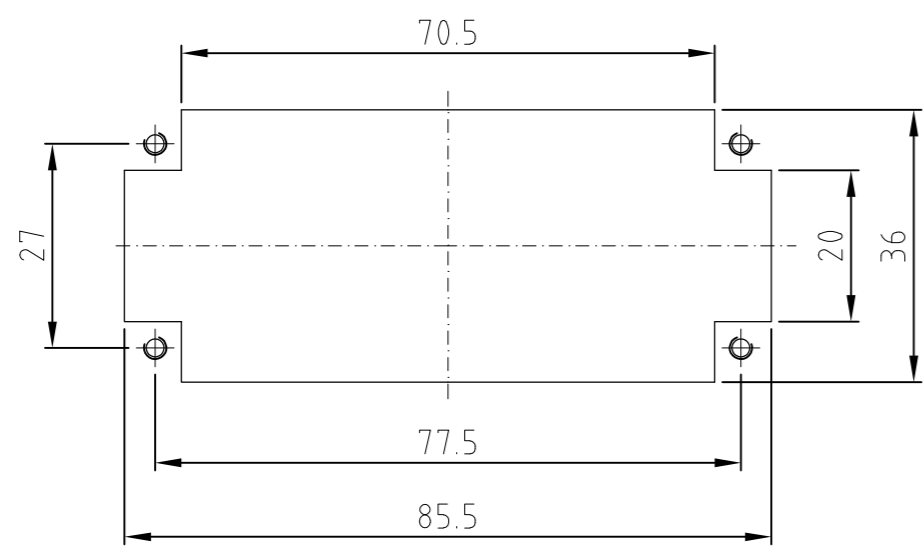
Printing 8+4+4 Screw/Thermo



NOTES:

- SUITABLE CRIMP CONTACTS: SERIES HE/HA  
OUTER DIMENSIONS OF INSULATION: MAX. Ø3,2 MM
- SUITABLE HOOD SIZE 6; 10: SERIES HB; HD;HIP;EMV  
SUITABLE INSERTION AND EXTRACTION TOOL:  
SCREWDRIVER 0,5x3 DIN 5264
- Strip lenght: Screw conection 10mm  
Spring clamp conection 10mm Crimp conection 7.5mm
- STANDARDS:  
DIN EN 61984; DIN EN 60664-1
- PACKAGING:  
5 SETS IN A CARTON, PRE-MOUNTED
- SPECIAL PACKAGING: Krauss-Maffei  
PACKAGING UNIT: 200 PIECES

Panel cut-out for contact insert when used without housing



ITEM NO. POS.	DESCRIPTION	MATERIAL	COLOR	ITEM NO. POS.	NOTES
1	cover spring clamp version		light grey	4	
2	cover crimp version		light grey	3	
3	cover screw version		light grey	2	
4	pin insert		light grey	1	

ITEM NO.	DESCRIPTION	MATERIAL	COLOR	ITEM NO. POS.	NOTES
0-19-4					
1-89-5					
7-97-1					
2-92-3					
1-91-7					
1-11-1					

HE.16.Sti.S.B 1-16.KM	ORDERING TEXT	THIS DRAWING IS A CONTROLLED DOCUMENT FOR AMP INCORPORATED. IT IS SUBJECT TO CHANGE AND THE CONTROLLING ENGINEERING ORGANIZATION SHOULD BE CONTACTED FOR THE LATEST REVISION. DIESSES ZEICHNUNGSDOKUMENT WIRD DURCH AMP INCORPORATED KONTROLLIERT. ÄNDERUNGEN, DIE DEM TECHNISCHEN FORTSCHRITT DIENEN, SIND VORBEHALTEN. DEN JEWELIGS LETZTGESETZTEN ÄNDERUNGSSTAND ERFAHREN SIE AUF AMRAGE.		DWN Schneider 08.02.99	AMP HTS Elektrotechnik 53819 Neunkirchen, Germany
		DIMENSIONS: DIMENSIONEN: mm		CHK Schweiger 08.02.00	
HE.16.Sti.S.B.17-32-AU	OTHERWISE SPECIFIED: ALLGEMEINTOLERANZEN 1 ISO 8015 2 ISO 2768 - mH - E 3 PLG	TOLERANCES UNLESS OTHERWISE SPECIFIED:		APVD -	Male insert HE.16.STIs/C
HE.16.Sti.S-T.B 8+4+4		FINISH 70BERFLÄECHE /FARBE		PRODUCT SPEC PRODUKTSPEZ	
HE.16.Sti.S.B.1-16-AU	ANGLES /WINKEL	APPLICATION SPEC VERARBEITUNGSSPEZ.		SIZE A2	DRAWING NO ZEICHNUNGS-NR C=1103638
HE.16.Sti.S.C.B 17-32		WEIGHT GEWICHT -		CAGE CODE 00779	
HE.16.Sti.S.C.B 1-16	CUSTOMER DRAWING /KUNDENZEICHNUNG		SCALE MASSSTAB 1:1	SHEET BLATT 1 OF 1 VON 1	RESTRICTED TO NUR FÜR -
HE.16.Sti.C.B 17-32					REV C8
HE.16.Sti.C					
HE.16.Sti.S.B 17-32					
HE.16.Sti.S-T.B 1-16					
HE.16.Sti.S.B 1-16					