



Chipsmall Limited consists of a professional team with an average of over 10 year of expertise in the distribution of electronic components. Based in Hongkong, we have already established firm and mutual-benefit business relationships with customers from,Europe,America and south Asia,supplying obsolete and hard-to-find components to meet their specific needs.

With the principle of “Quality Parts,Customers Priority,Honest Operation,and Considerate Service”,our business mainly focus on the distribution of electronic components. Line cards we deal with include Microchip,ALPS,ROHM,Xilinx,Pulse,ON,Everlight and Freescale. Main products comprise IC,Modules,Potentiometer,IC Socket,Relay,Connector.Our parts cover such applications as commercial,industrial, and automotives areas.

We are looking forward to setting up business relationship with you and hope to provide you with the best service and solution. Let us make a better world for our industry!



## Contact us

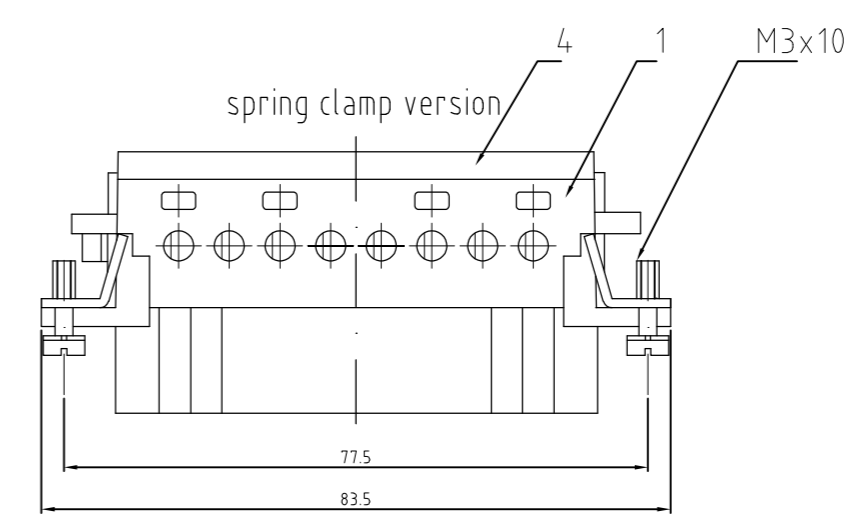
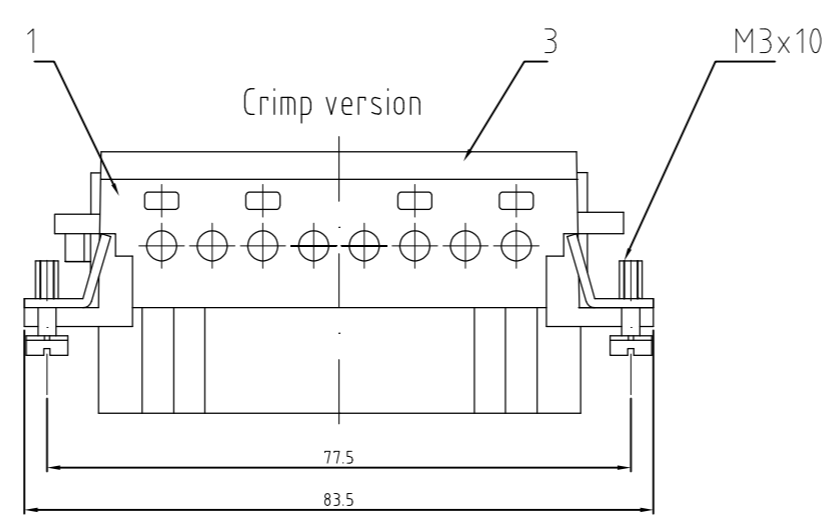
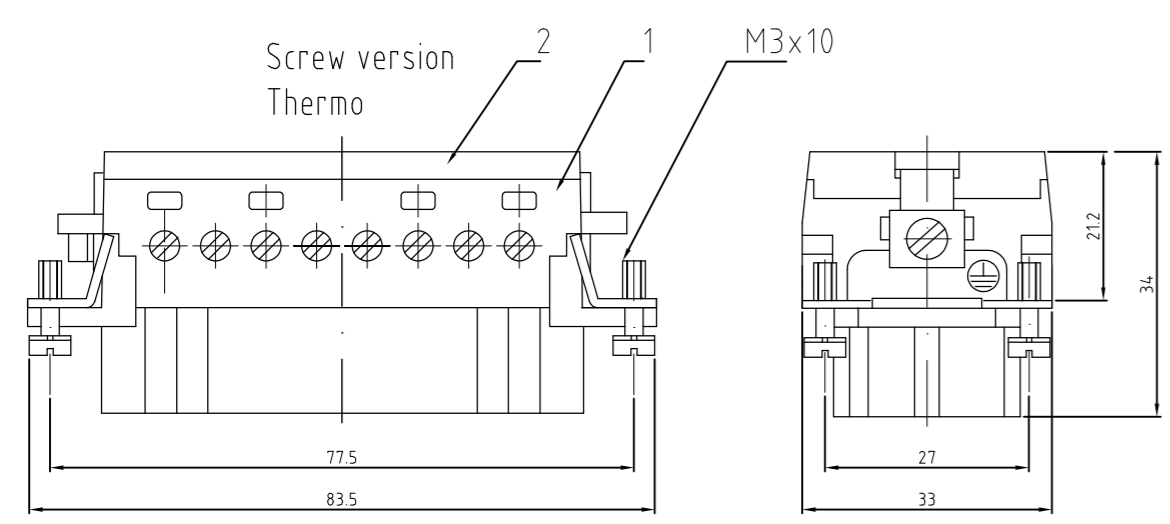
Tel: +86-755-8981 8866 Fax: +86-755-8427 6832

Email & Skype: info@chipsmall.com Web: www.chipsmall.com

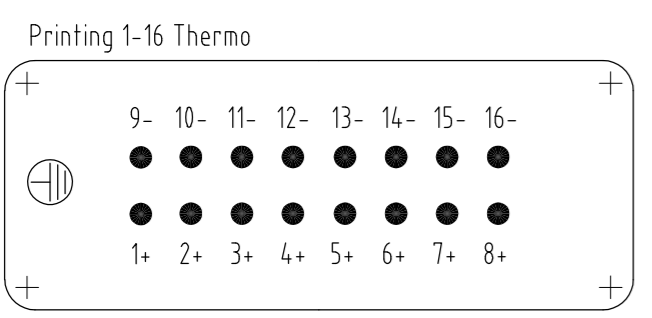
Address: A1208, Overseas Decoration Building, #122 Zhenhua RD., Futian, Shenzhen, China



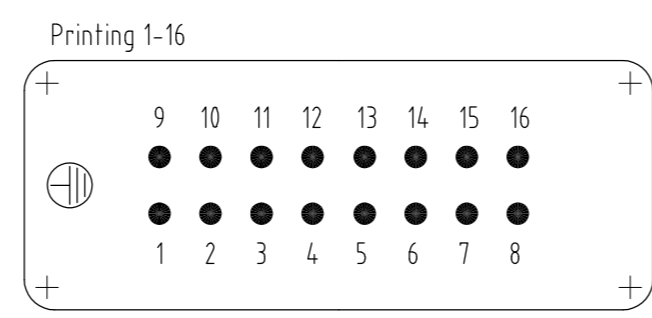
LOC	DIST	REVISIONS					
A1	-	P	LTR	DESCRIPTION	DATE	DWN	APVD
PROJEKT NR:	-	C8	text for packaging corrected	ECR-08-001868	22.01.08	SR	ST



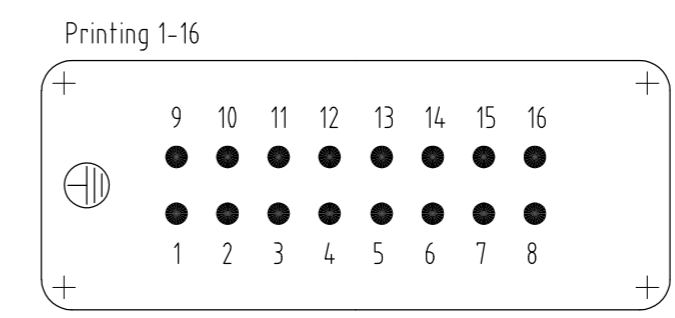
Contact arrangement view from termination side



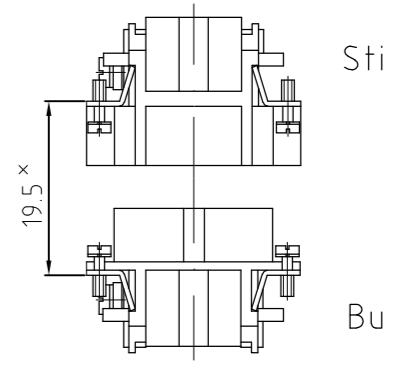
Contact arrangement view from termination side



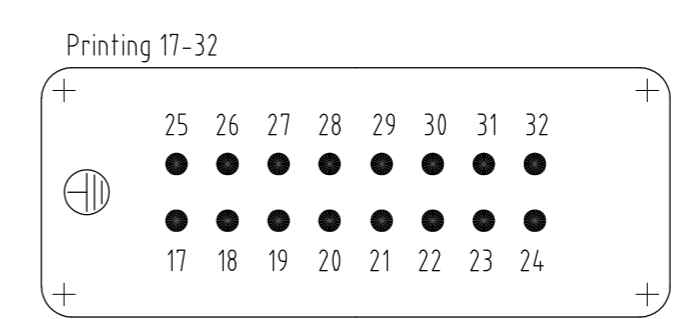
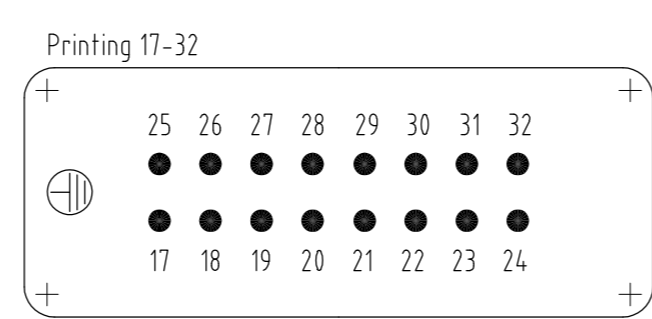
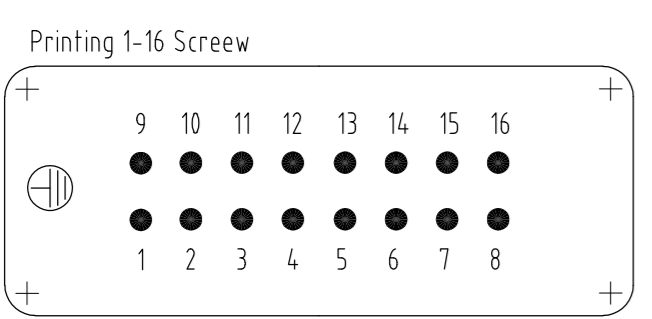
Contact arrangement view from termination side



assembly directions

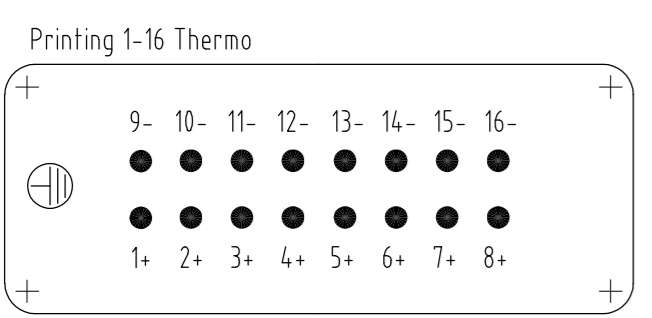


× distance for a safe contact max: max: 21 mm

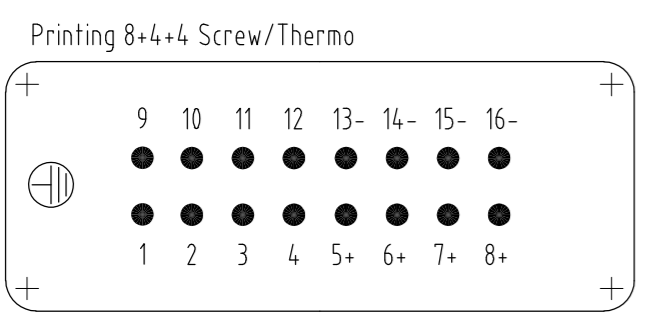
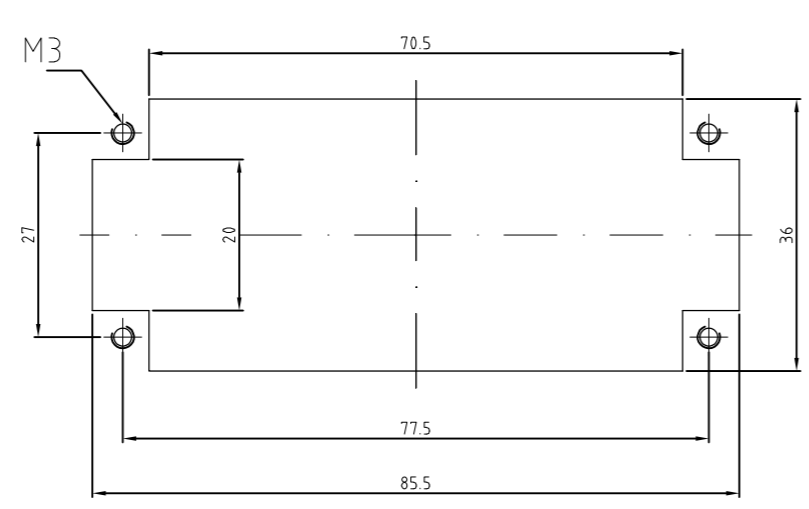


NOTES:

- SUITABLE CRIMP CONTACTS: SERIES HE/HA  
OUTER DIMENSIONS OF INSULATION: MAX. Ø3,2 mm
- SUITABLE HOOD SIZE 6; 10; SERIES HB; HD;HIP;EMV  
SUITABLE INSERTION AND EXTRACTION TOOL:  
SCREWDRIVER 0,5x3 DIN 5264
- Strip lenght: Screw conection 10mm  
Spring clamp conection 10mm Crimp conection 7.5mm
- STANDARDS:  
DIN EN 61984; DIN EN 60664-1
- PACKAGING:  
5 SETS IN A CARTON, PRE-MOUNTED
- SPECIAL PACKAGING: Krauss-Maffei  
PACKAGING UNIT: 200 PIECES



Panel cut-out for contact insert when used without housing



QTY	DESCRIPTION / BENENNUNG	MATERIAL	COLOR / FARBE	ITEM NO. POS.	REMARKS / BEMERKUNGEN
1	Deckel Federklemmversion		lichtgrau	4	
1	Deckel Crimpversion		lichtgrau	3	
1	Deckel Schraubversion		lichtgrau	2	
1	Buchseinsatz		lichtgrau	1	
0-1	HE.16.Bu.S.B1-16 KM				
1-8	HE.16.Bu.S.-T.B.8+4+4				
9-5	HE.16.Bu.S.B.1-16-AU				
7-9	HE.16.Bu.S.C.B.17-32				
7-1	HE.16.Bu.S.C.B.1-16				
2-9	HE.16.Bu.C.B.17-32				
3-1	HE.16.Bu.C.B.1-16				
1-9	HE.16.Bu.S.B.17-32				
1-7	HE.16.Bu.S.-T.B.1-16				
1-1	HE.16.Bu.S.B.1-16				

<p>THIS DRAWING IS A CONTROLLED DOCUMENT FOR AMP INCORPORATED. IT IS SUBJECT TO CHANGE AND THE CONTROLLING ENGINEERING ORGANIZATION SHOULD BE CONTACTED FOR THE LATEST REVISION. DIESER ZEICHNUNGS-DOKUMENT WIRD DURCH AMP INCORPORATED KONTROLLIERT. ÄNDERUNGEN, DIE DEM TECHNISCHEN FORTSCHRITT DIENEN, SIND VORBEHALTEN. DEN JEWEILS LETZTLIEFENDEN ÄNDERUNGSSTAND ERFAHREN SIE AUF ANFRAGE.</p>		<p>DWN Schneider 08.02.2000</p> <p>CHK Schweiger 08.02.2000</p>	<p>NAME HTS Elektrotechnik 53819 Neunkirchen, Germany</p>
<p>DIMENSIONS: DIMENSIONEN: mm</p>	<p>TOLERANCES UNLESS OTHERWISE SPECIFIED: ALLGEMEINTOLERANZEN: 0 PLC 1 PLC 2 PLC 3 PLC</p> <p>ANGLES / WINKEL FINISH / OBERFLÄCHE / FARBE</p>	<p>APVD -</p> <p>PRODUCT SPEC PRODUKTSPEZ -</p> <p>APPLICATION SPEC VERARBEITUNGSSPEZ -</p> <p>WEIGHT GEWICHT -</p>	<p>SIZE A2 CAGE CODE 00779 DRAWING NO ZEICHNUNGS-NR C=1103639 RESTRICTED TO NUR FUER -</p>
<p>CUSTOMER DRAWING / KUNDENZEICHNUNG</p>		<p>SCALE MASSSTAB 1:1</p>	<p>SHEET BLATT 1 OF 1 VON 1 REV C8</p>