



Chipsmall Limited consists of a professional team with an average of over 10 year of expertise in the distribution of electronic components. Based in Hongkong, we have already established firm and mutual-benefit business relationships with customers from,Europe,America and south Asia,supplying obsolete and hard-to-find components to meet their specific needs.

With the principle of “Quality Parts,Customers Priority,Honest Operation,and Considerate Service”,our business mainly focus on the distribution of electronic components. Line cards we deal with include Microchip,ALPS,ROHM,Xilinx,Pulse,ON,Everlight and Freescale. Main products comprise IC,Modules,Potentiometer,IC Socket,Relay,Connector.Our parts cover such applications as commercial,industrial, and automotives areas.

We are looking forward to setting up business relationship with you and hope to provide you with the best service and solution. Let us make a better world for our industry!



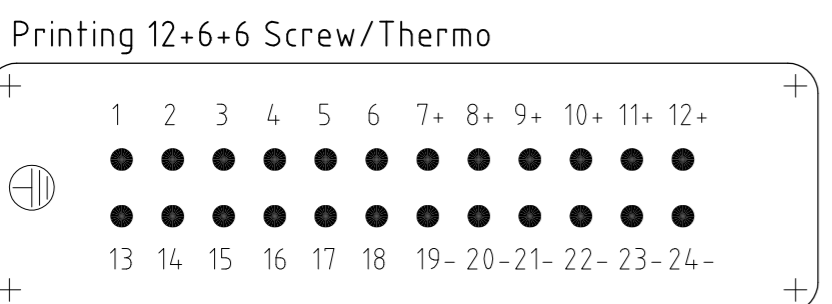
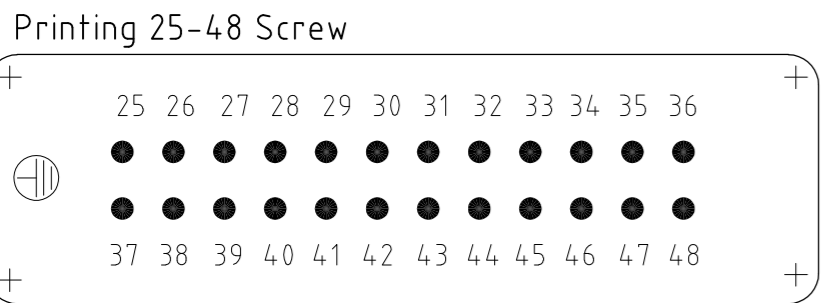
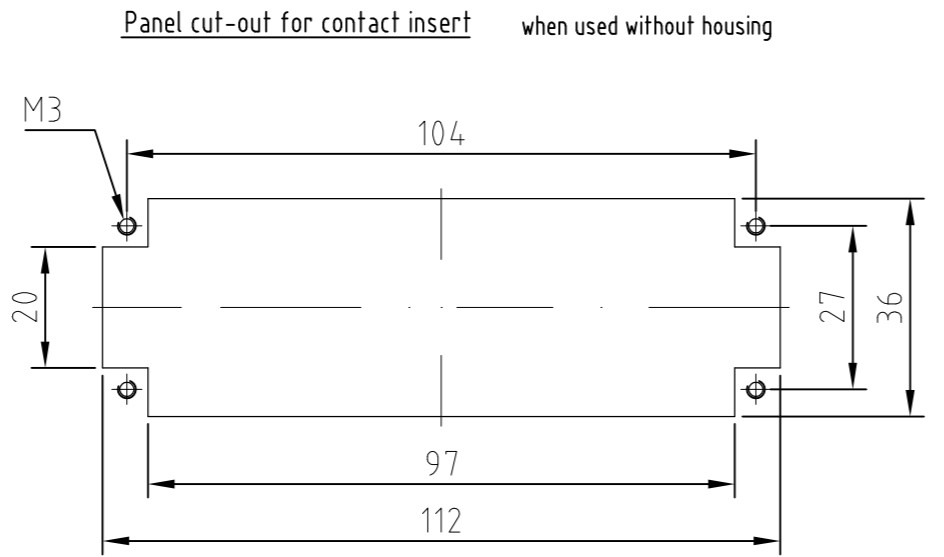
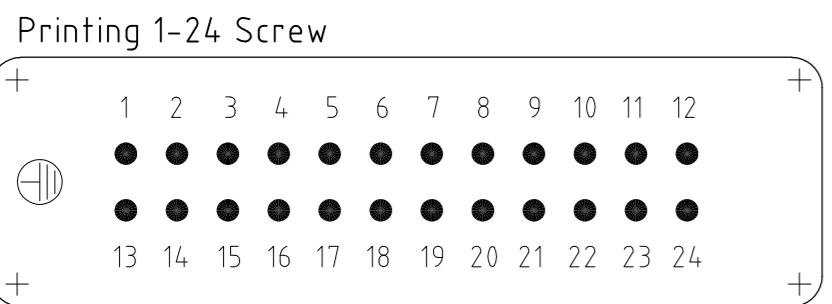
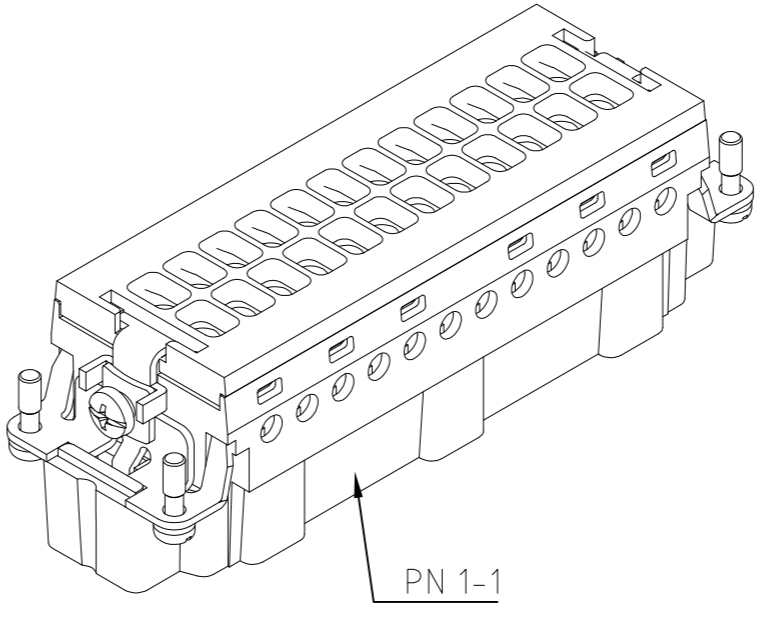
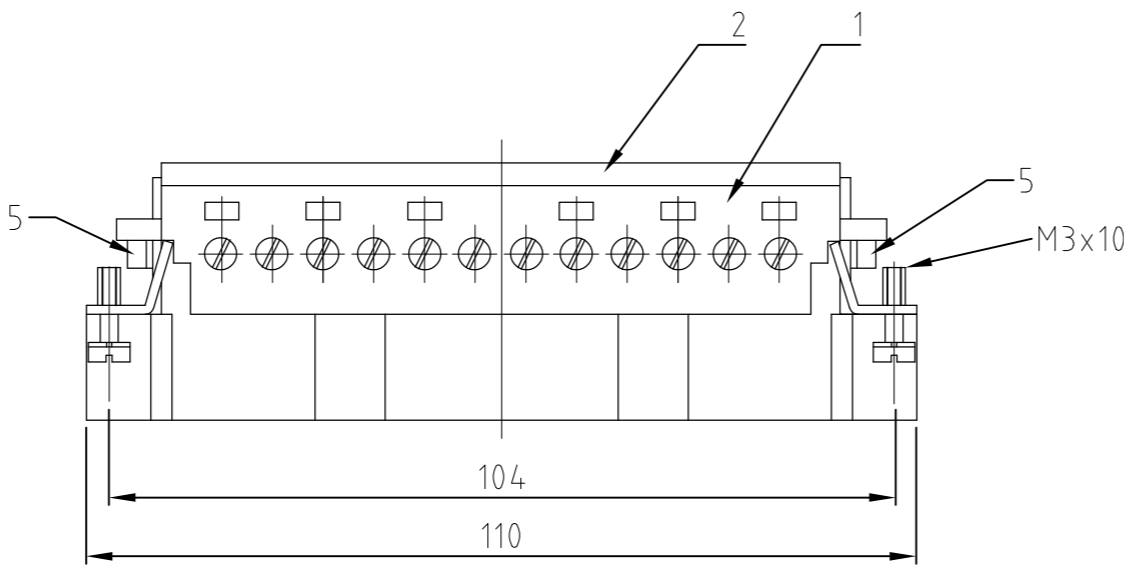
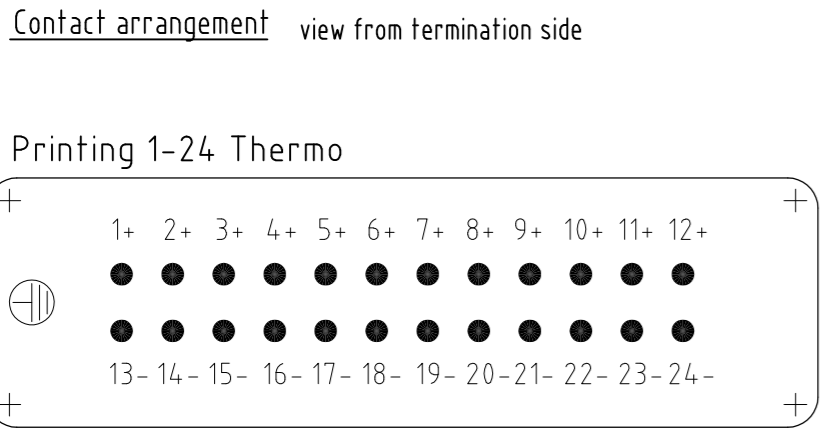
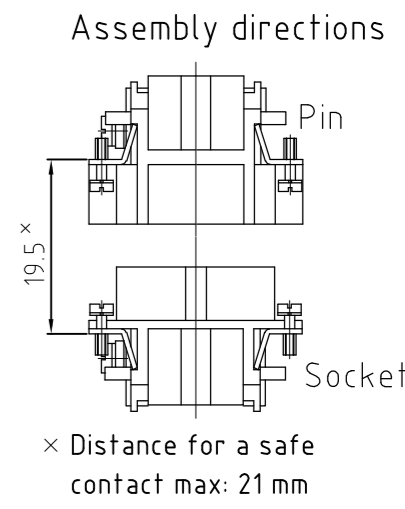
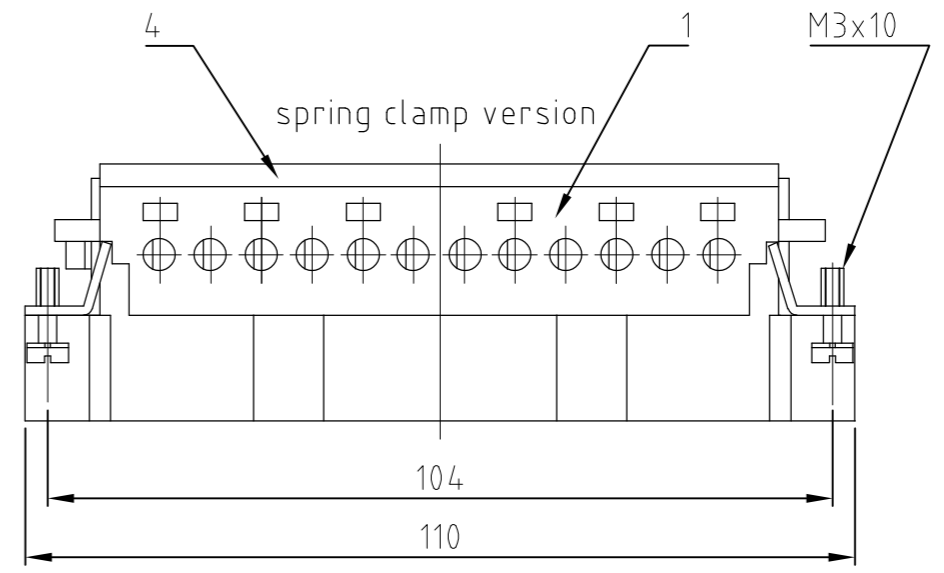
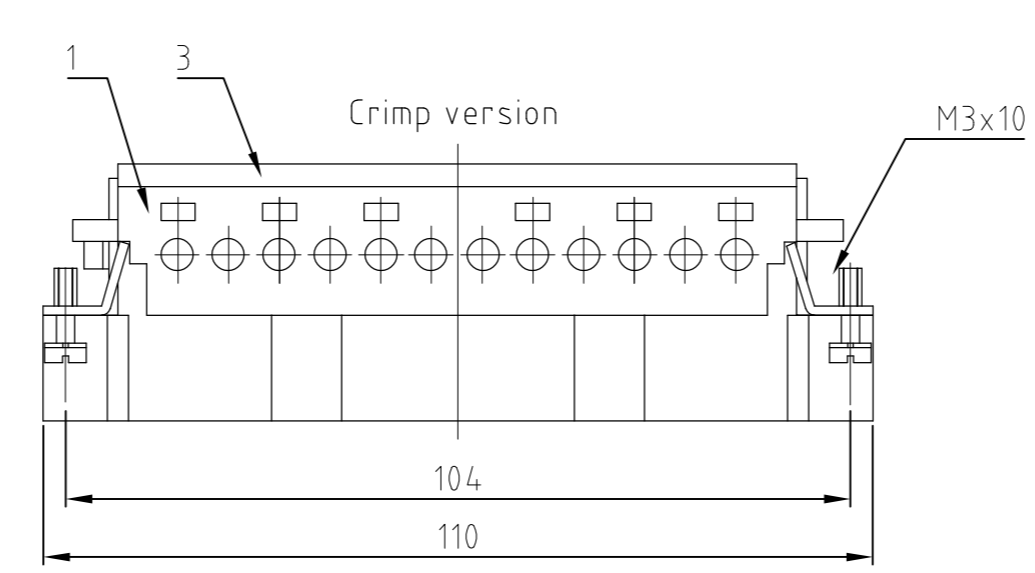
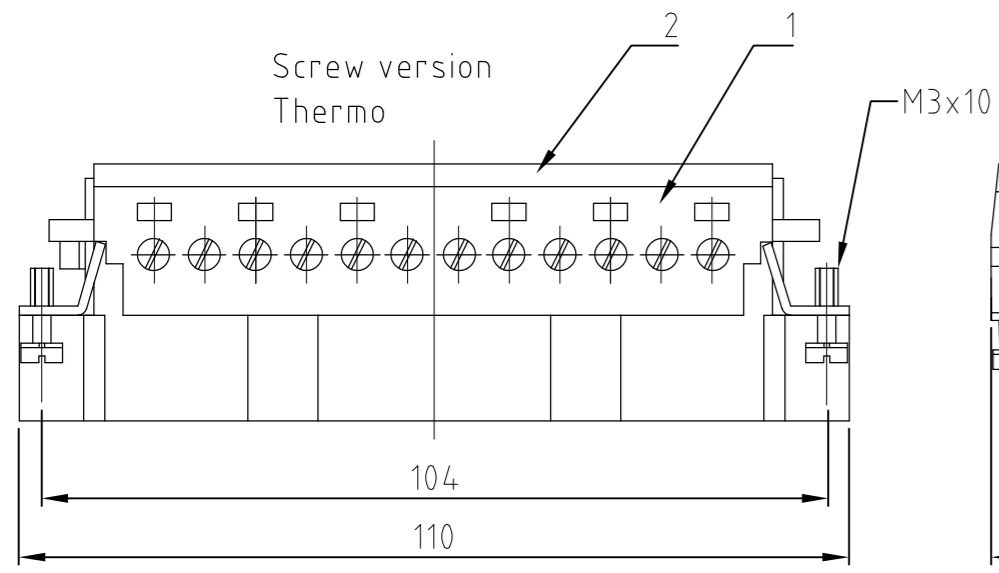
Contact us

Tel: +86-755-8981 8866 Fax: +86-755-8427 6832

Email & Skype: info@chipsmall.com Web: www.chipsmall.com

Address: A1208, Overseas Decoration Building, #122 Zhenhua RD., Futian, Shenzhen, China





- NOTES:**
- SUITABLE CRIMP CONTACTS: SERIES HE/HA
OUTER DIMENSIONS OF INSULATION: MAX. Ø3,2 MM
 - SUITABLE HOOD SIZE 8; 12: SERIES HB; HD; HIP; EMV
SUITABLE INSERTION AND EXTRACTION TOOL:
SCREWDRIVER 0,5x3 DIN 5264
 - Strip lenght: Screw conection 10mm
Spring clamp conection 10mm Crimp conection 7.5mm
 - STANDARDS:
DIN EN 61984; DIN EN 60664-1
- ⚠️ PACKAGING:
5 SETS IN A CARTON, PRE-MOUNTED
- ⚠️ SPECIAL PACKAGING: Krauss-Maffei
PACKAGING UNIT: 220 PIECES

| QTY | DESCRIPTION | MATERIAL | COLOR / FARBE | ITEM NO. POS. | NOTES |
|-----|--|----------|---------------|---------------|-------|
| 2 | cover spring clamp version | steel | blue | 5 | M4x6 |
| 1 | cover crimp version | | light grey | 4 | |
| 1 | cover screw version | | light grey | 3 | |
| 1 | pin insert | | light grey | 2 | |
| 1-2 | THIS DRAWING IS A CONTROLLED DOCUMENT. | | | 1 | |

| | | | | | | | | | | | |
|-----------------------|----------------------|-----------------------|------------------------|---------------------|----------------------|----------------------|--------------------|--------------------|------------------|--------------------|---------------------|
| HE.24.STI.S.B1-24+2ES | HE.24.STI.S.B1-24.KM | HE.24.STI.S.C-AUB1-24 | HE.24.STI.S.B-T 12+6+6 | HE.24.STI.S-AUB1-24 | HE.24.STI.S-AUB25-48 | HE.24.STI.S.C.B25-48 | HE.24.STI.S.CB1-24 | HE.24.STI.C.B25-48 | HE.24.STI.CB1-24 | HE.24.STI.S.B25-48 | HE.24.STI.S-T.B1-24 |
| 1 | 1 | 1 | 1 | 1 | 1 | 1 | 1 | 1 | 1 | 1 | 1 |

| | |
|--------------------|---|
| DIMENSIONS: mm | TOLERANCES UNLESS OTHERWISE SPECIFIED: GENERAL TOLERANCES: h: ISO 8015 H: ISO 2768 - mH - E r: DIN 16901 - 140 ANGLES: ± |
| MATERIAL | FINISH |
| WEIGHT | |

| | |
|--|---|
| DWN 08.02.2000 Schneider CHK 08.02.2000 Schweiger APVD PRODUCT SPEC APPLICATION SPEC WEIGHT CUSTOMER DRAWING | Tyco Electronics Corporation Harrisburg, Pa 17105-3608 NAME Male insert HE.24.STI.S/C SIZE A2 CAGE CODE 00779 DRAWING NO C-1103640 RESTRICTED TO SCALE 1:1 SHEET 1 OF 1 REV E2 |
|--|---|