



Chipsmall Limited consists of a professional team with an average of over 10 year of expertise in the distribution of electronic components. Based in Hongkong, we have already established firm and mutual-benefit business relationships with customers from,Europe,America and south Asia,supplying obsolete and hard-to-find components to meet their specific needs.

With the principle of “Quality Parts,Customers Priority,Honest Operation,and Considerate Service”,our business mainly focus on the distribution of electronic components. Line cards we deal with include Microchip,ALPS,ROHM,Xilinx,Pulse,ON,Everlight and Freescale. Main products comprise IC,Modules,Potentiometer,IC Socket,Relay,Connector.Our parts cover such applications as commercial,industrial, and automotives areas.

We are looking forward to setting up business relationship with you and hope to provide you with the best service and solution. Let us make a better world for our industry!



## Contact us

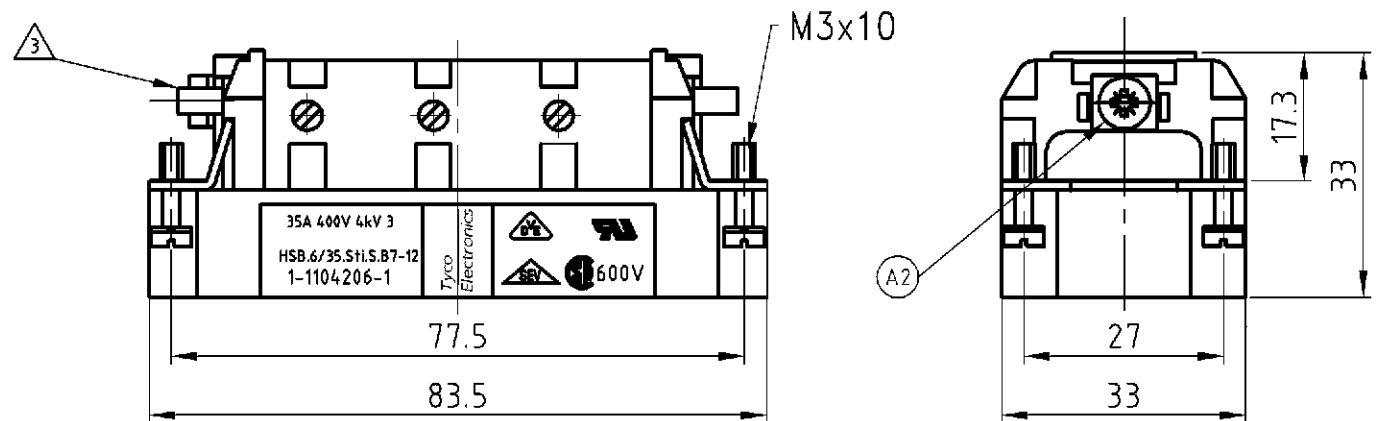
Tel: +86-755-8981 8866 Fax: +86-755-8427 6832

Email & Skype: info@chipsmall.com Web: www.chipsmall.com

Address: A1208, Overseas Decoration Building, #122 Zhenhua RD., Futian, Shenzhen, China



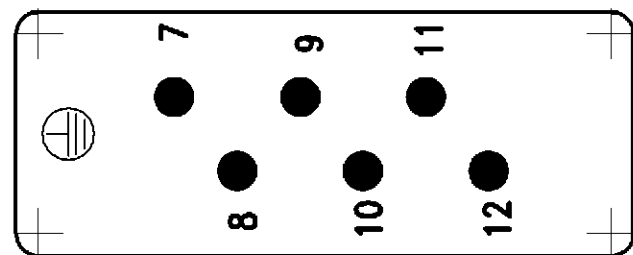
LOC	DIST	REVISIONS ÄNDERUNGEN					
A1	-	P	LTR	DESCRIPTION BESCHREIBUNG	DATE	DWN	APVD
PROJEKT NR.:			A2	Notes and design changed ECR-06-020881	30.08.06	SR	SM



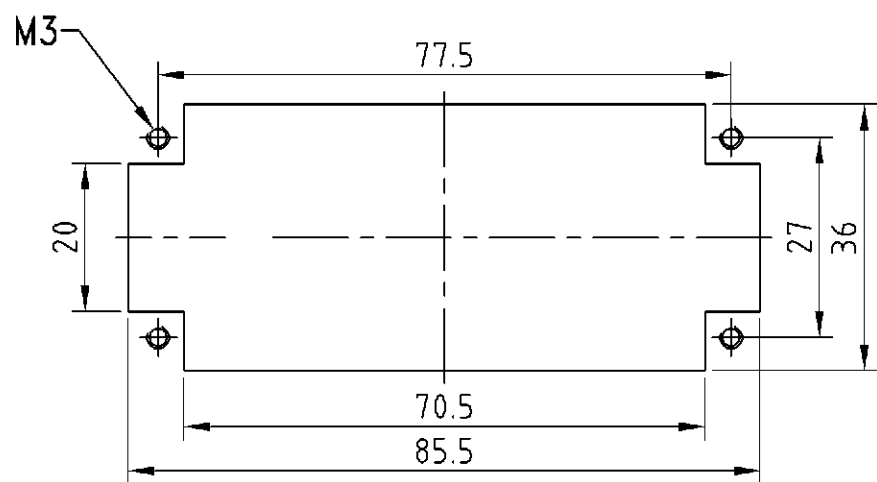
NOTES

- ① FINISH: CONTACT , AG
- ② POWER CONTACT: 7 TO 12  
OUTER DIMENSIONS OF INSULATION: MAX. Ø 7.0 MM
- ③ GROUNDING CONTACT
- ④ SUITABLE HOOD SIZE 6: SERIES HB; HD; EMV; HIP
- ⑤ STANDARDS:  
DIN EN 61984; DIN EN 60664-1
- ⑥ PACKAGING: 5 PIECES IN A CARTON

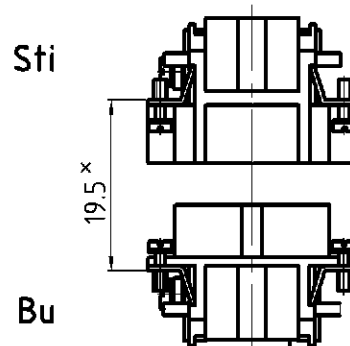
Contact arrangement view from termination side



Panel cut-out for contact insert when used without housing



Assembling instruction



X Distance for guaranteed contact max: 21 mm

1	DESCRIPTION	MATERIAL	COLOR	ITEM NO. POS.	REMARKS
1	male insert		beige	1	-
1-1	<small>THIS DRAWING IS A CONTROLLED DOCUMENT FOR AMP INCORPORATED. IT IS SUBJECT TO CHANGE AND THE CONTROLLING ENGINEERING ORGANIZATION SHOULD BE CONTACTED FOR THE LATEST REVISION. DIESES ZEICHNUNGSDOKUMENT WIRD DURCH AMP INCORPORATED KONTROLLIERT. ÄNDERUNGEN, DIE DEM TECHNISCHEN FORTSCHRITT DIENEN, SIND VORBEHALTEN. DEN JEWELN LETZT GÜLTIGEN ÄNDERUNGSSTAND ERFAHREN SIE AUF ANFRAGE.</small> DIMENSIONS: DIMENSIONEN: mm TOLERANCES UNLESS OTHERWISE SPECIFIED: ALLGEMEINTOLERANZEN p. ISO 8015 p. ISO 2768 - mH - E p. DIN 16901 - 14.0 0 PLC # 1 PLC # 2 PLC # 3 PLC # ANGLES /WINKEL # FINISH /OBERFLÄCHE/FARBE		DWN Rösgen CHK	04.06.1998	<b>AMP</b> HTS Elektrotechnik 53819 Neunkirchen, Germany NAME MALE INSERT HSB 6/35 STI.S 7-12
HSB.6/35.Sti.S 7-12	ORDERING TEXT / BESTELLTEXT				APVD - PRODUCT SPEC PRODUKTSPEZ. 108-74006 APPLICATION SPEC VERARBEITUNGSSPEZ. 114-74007 WEIGHT GEWICHT 86 g CUSTOMER DRAWING /KUNDENZEICHNUNG
				A3	SIZE CAGE CODE DRAWING NO ZEICHNUNGS-NR. 1104206 00779 ©
				1:1	RESTRICTED TO NUR FÜR MASSSTAB 1:1 BLATT 1 OF 1 REV A2