



Chipsmall Limited consists of a professional team with an average of over 10 year of expertise in the distribution of electronic components. Based in Hongkong, we have already established firm and mutual-benefit business relationships with customers from,Europe,America and south Asia,supplying obsolete and hard-to-find components to meet their specific needs.

With the principle of “Quality Parts,Customers Priority,Honest Operation,and Considerate Service”,our business mainly focus on the distribution of electronic components. Line cards we deal with include Microchip,ALPS,ROHM,Xilinx,Pulse,ON,Everlight and Freescale. Main products comprise IC,Modules,Potentiometer,IC Socket,Relay,Connector.Our parts cover such applications as commercial,industrial, and automotives areas.

We are looking forward to setting up business relationship with you and hope to provide you with the best service and solution. Let us make a better world for our industry!



Contact us

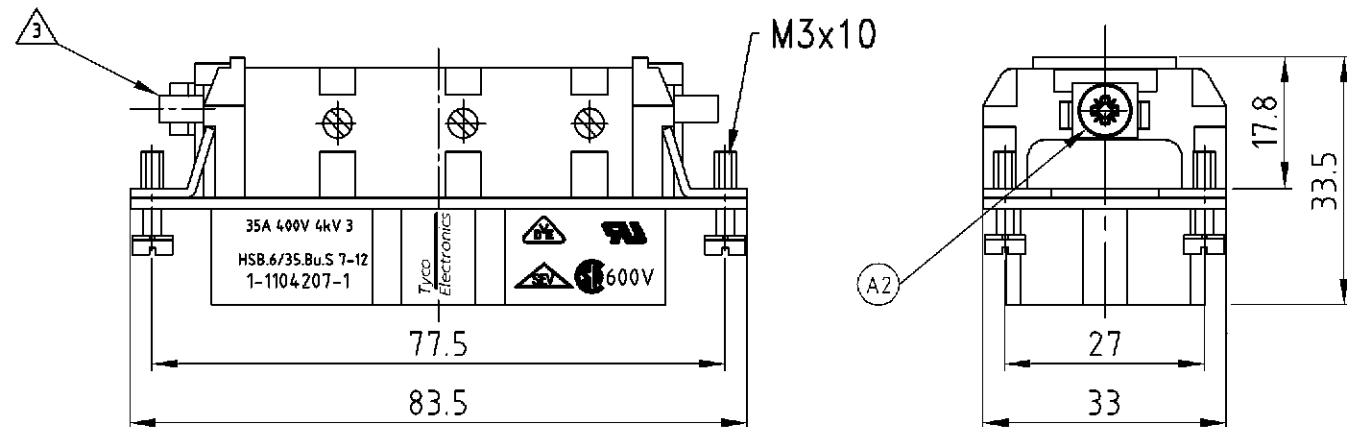
Tel: +86-755-8981 8866 Fax: +86-755-8427 6832

Email & Skype: info@chipsmall.com Web: www.chipsmall.com

Address: A1208, Overseas Decoration Building, #122 Zhenhua RD., Futian, Shenzhen, China

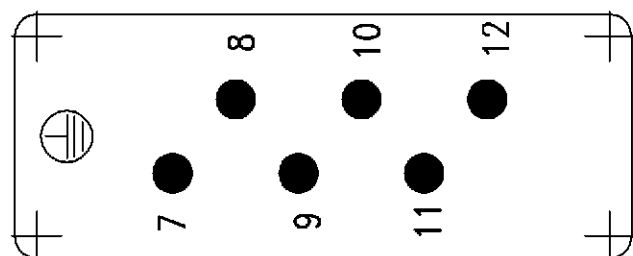


LOC	DIST	REVISIONS ÄNDERUNGEN		
		P	LTR	DATE
A1	-			
PROJEKT NR.:		A2	Notes and design corrected ECR-06-020881	29.08.06
				DWN SR
				APVD SR

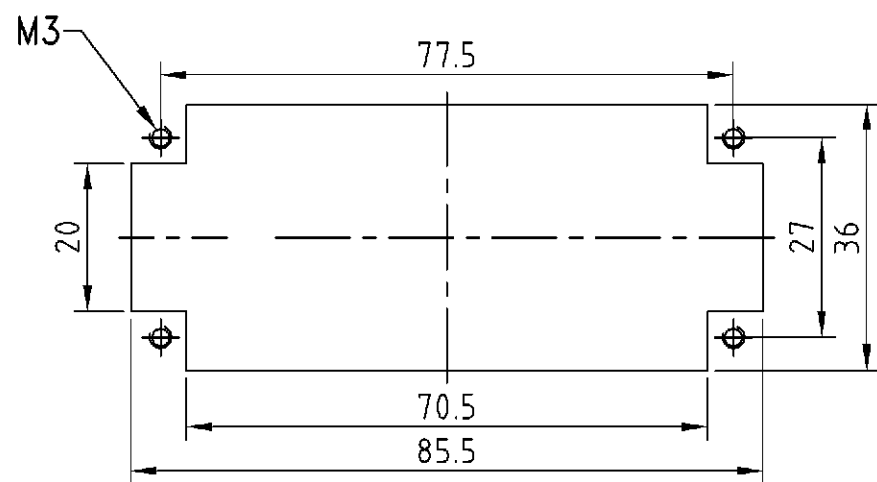


- NOTES
- 1 FINISH: CONTACT , AG
 - 2 POWER CONTACT: 7 TO 12
OUTER DIMENSIONS OF INSULATION: MAX. ϕ 7.0 MM
 - 3 GROUNDING CONTACT
 - 4 SUITABLE HOOD SIZE 6: SERIES HB; HD; EMV; HIP
 - 5 STANDARDS:
DIN EN 61984; DIN EN 60664-1
 - 6 PACKAGING: 5 PIECES IN A CARTON

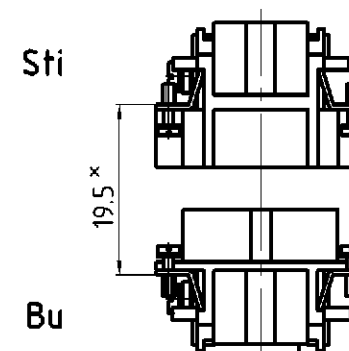
Contact arrangement view from termination side



Panel cut-out for contact insert when used without housing



Assembling instruction



X Distance for guaranteed contact max: 21 mm

1	DESCRIPTION	MATERIAL	COLOR	ITEM NO. POS.	REMARKS
1	Female insert		beige	1	-
1-1	<p>THIS DRAWING IS A CONTROLLED DOCUMENT FOR AMP INCORPORATED. IT IS SUBJECT TO CHANGE AND THE CONTROLLING ENGINEERING ORGANIZATION SHOULD BE CONTACTED FOR THE LATEST REVISION. DIESES ZEICHNUNGSDOKUMENT WIRD DURCH AMP INCORPORATED KONTROLLIERT. ÄNDERUNGEN, DIE DEM TECHNISCHEN FORTSCHRITT DIENEN, SIND VORBEHALTEN. DEN JEWELNS LETZTGÜELTIGEN ÄNDERUNGSSTAND ERFAHREN SIE AUF ANFRAGE.</p> <p>DIMENSIONS: DIMENSIONEN: mm</p> <p>TOLERANCES UNLESS OTHERWISE SPECIFIED: ALLGEMEINTOLERANZEN</p> <p>0 PLC # 1 PLC # 2 PLC # 3 PLC #</p> <p>ANGLES /WINKEL # FINISH /OBERFLÄCHE/FARBE</p>				<p>DWN Rösgen 04.06.1998</p> <p>CHK</p> <p>APVD -</p> <p>PRODUCT SPEC PRODUKTSPEZ. 108-74006</p> <p>APPLICATION SPEC VERARBEITUNGSSPEZ. 114-74007</p> <p>WEIGHT GEWICHT 90 g</p> <p>CUSTOMER DRAWING /KUNDENZEICHNUNG</p>
HSB.6/35.Bu.S. 7-12	ORDERING TEXT / BESTELLTTEXT				<p>NAME HTS Elektrotechnik 53819 Neunkirchen, Germany</p> <p>FEMALE INSERT HSB.6/35.Bu.S. 7-12</p> <p>SIZE A3 CAGE CODE 00779 DRAWING NO ZEICHNUNGS-NR. C-1104207</p> <p>RESTRICTED TO NUR FUER -</p> <p>MASSSTAB 1:1 BLATT 1 OF VON 1 REV A2</p>