



Chipsmall Limited consists of a professional team with an average of over 10 year of expertise in the distribution of electronic components. Based in Hongkong, we have already established firm and mutual-benefit business relationships with customers from,Europe,America and south Asia,supplying obsolete and hard-to-find components to meet their specific needs.

With the principle of “Quality Parts,Customers Priority,Honest Operation,and Considerate Service”,our business mainly focus on the distribution of electronic components. Line cards we deal with include Microchip,ALPS,ROHM,Xilinx,Pulse,ON,Everlight and Freescale. Main products comprise IC,Modules,Potentiometer,IC Socket,Relay,Connector.Our parts cover such applications as commercial,industrial, and automotives areas.

We are looking forward to setting up business relationship with you and hope to provide you with the best service and solution. Let us make a better world for our industry!



Contact us

Tel: +86-755-8981 8866 Fax: +86-755-8427 6832

Email & Skype: info@chipsmall.com Web: www.chipsmall.com

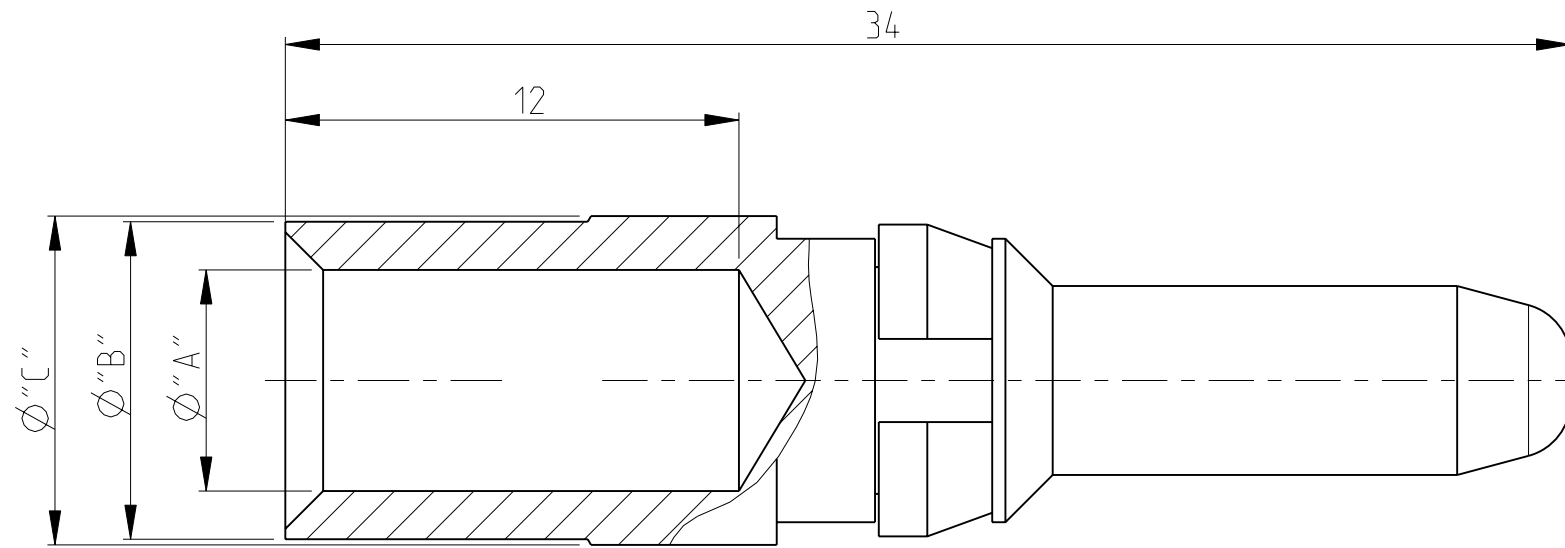
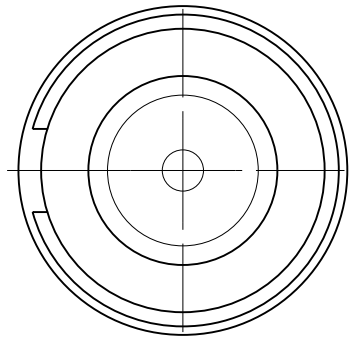
Address: A1208, Overseas Decoration Building, #122 Zhenhua RD., Futian, Shenzhen, China



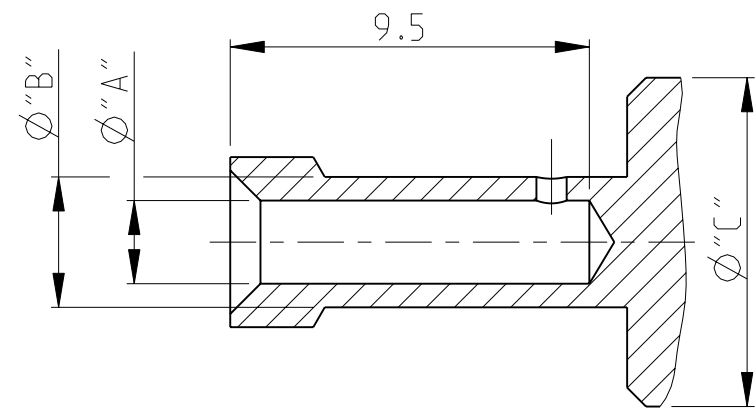
THIS DRAWING IS UNPUBLISHED. RELEASED FOR PUBLICATION
COPYRIGHT - ALL RIGHTS RESERVED.

LOC		DIST		REVISIONS			
P	LTR	DESCRIPTION	DATE	DWN	APVD		
B1	-	D3	REVISED PER ECO-11-005150	31MAR2011	RK	HMR	

WIRE CROSS-SECTION:
Ø6mm²- 16mm²



WIRE CROSS-SECTION:
Ø2.5mm²/ 4mm²



Notes

- 1 MATERIAL: BRASS
- 2 FINISH SILVER PLATING: 2µm Ag MIN. OVER Cu
- 3 FINISH GOLD PLATING: 0.75µm Au MIN. OVER Ni
- 4 WEIGHT (MAX.): 7.60 g, VOLUME (MAX.): 932mm³ (APPROX.)
- 5 SUITABLE SOCKET CONTACT: CUSTOMER DRAWING 1105151
- 6 SUITABLE INSERTS: SERIES HSS, CUSTOMER DRAWING
- 7 SUITABLE CRIMP TOOL: PN 1-1105850-8
- 8 SUITABLE INSERTION TOOL: -
- 9 SUITABLE EXTRACTION TOOL: PN 0-1102855-5
- 10 FINE WIRE DIA. MAX. Ø 4.5
- 11 PACKAGING:
25 PIECES IN A POLY-BAG
1 POLY-BAG IN A CARTON
- 12 PACKAGING:
1 PIECES LOOSE
- 13 STANDARDS: DIN EN 61984, DIN EN 60664-1

ORDERING TEXT	PLATING	CROSS SECTION	DIMENSIONS	STRIPPING-LENGTH	WITH CLIP	WITHOUT CLIP	RAW PART	
HSS-C-Sti.Au.16.0 mm ²	GOLD	16.0	5.85 8.4 8.7	12	5-2	9-3	7-9	
HSS-C-Sti.Au.10.0 mm ²		10.0	4.35 5.9 8.7	12	4-2	9-2	7-8	
HSS-C-Sti.Au.6.0 mm ²		6.0	3.5 4.9 8.7	12	3-2	9-1	7-7	
HSS-C-Sti.Ag.25.0 mm ²	SILVER	25.0	7 9.45 9.6	12	6-1	8-7	7-6	
HSS-C-Sti.Ag.16.0 mm ²		16.0	5.85 8.4 8.7	12	5-1	8-6	7-5	
HSS-C-Sti.Ag.10.0 mm ²		10.0	4.6 5.9 8.7	12	4-3	8-5	7-4	
HSS-C-Sti.Ag.10.0 mm ² -fine		10.0	4.35 5.9 8.7	12	4-1	8-4	7-3	
HSS-C-Sti.Ag.6.0 mm ²		6.0	3.5 4.9 8.7	12	3-1	8-3	7-2	
HSS-C-Sti.Ag.4.0 mm ²		4.0	2.8 3.9 8.7	12	2-1	8-2	7-1	
HSS-C-Sti.Ag.2.5 mm ²		2.5	2.2 3.45 8.7	12	1-1	8-1	7-0	
HSS-C-Sti.25.0 mm ² -R		CuZn36Pb1.5F43	25.0	7 9.45 9.6	-	-	-	0-7
HSS-C-Sti.16.0 mm ² -R			16.0	5.85 8.4 8.7	-	-	-	0-6
HSS-C-Sti.10.0 mm ² -R-fine	10.0		4.6 5.9 8.7	-	-	-	0-5	
HSS-C-Sti.10.0 mm ² -R	10.0		4.35 5.9 8.7	-	-	-	0-4	
HSS-C-Sti.6.0 mm ² -R	6.0		3.5 4.9 8.7	-	-	-	0-3	
HSS-C-Sti.4.0 mm ² -R	4.0		2.8 3.9 8.7	-	-	-	0-2	
HSS-C-Sti.2.5 mm ² -R	2.5	2.2 3.45 8.7	-	-	-	0-1		
		[MM ²]	"A" "B" "C"	[MM]	PN	PN	PN	

PARTS LIST

THIS DRAWING IS A CONTROLLED DOCUMENT. DWN: 08APRIL2008 K.SCHROEDER
CHK: H.BRAUN
APVD: T.SCHNURPFEL

STE TE Connectivity

PIN CONTACT SERIES HSS

PRODUCT SPEC: 108-74016
APPLICATION SPEC: 114-74028

SIZE: A2 CAGE CODE: 00779 DRAWING NO: 1105150 RESTRICTED TO: -

CUSTOMER DRAWING SCALE: 5:1 SHEET 1 OF 1 REV: D3

