



Chipsmall Limited consists of a professional team with an average of over 10 year of expertise in the distribution of electronic components. Based in Hongkong, we have already established firm and mutual-benefit business relationships with customers from,Europe,America and south Asia,supplying obsolete and hard-to-find components to meet their specific needs.

With the principle of “Quality Parts,Customers Priority,Honest Operation,and Considerate Service”,our business mainly focus on the distribution of electronic components. Line cards we deal with include Microchip,ALPS,ROHM,Xilinx,Pulse,ON,Everlight and Freescale. Main products comprise IC,Modules,Potentiometer,IC Socket,Relay,Connector.Our parts cover such applications as commercial,industrial, and automotives areas.

We are looking forward to setting up business relationship with you and hope to provide you with the best service and solution. Let us make a better world for our industry!



Contact us

Tel: +86-755-8981 8866 Fax: +86-755-8427 6832

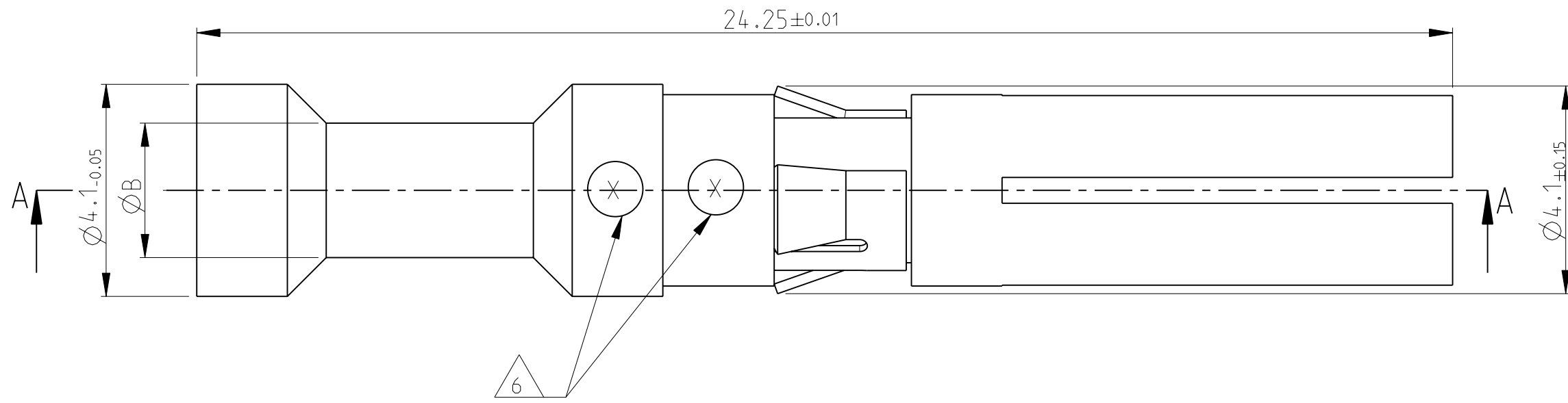
Email & Skype: info@chipsmall.com Web: www.chipsmall.com

Address: A1208, Overseas Decoration Building, #122 Zhenhua RD., Futian, Shenzhen, China



THIS DRAWING IS UNPUBLISHED. RELEASED FOR PUBLICATION
 © COPYRIGHT - ALL RIGHTS RESERVED.

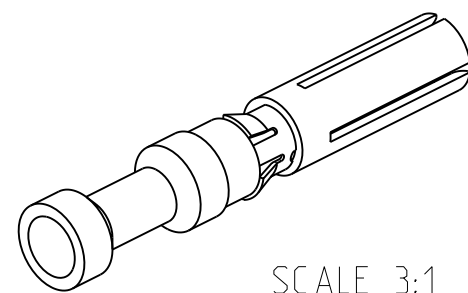
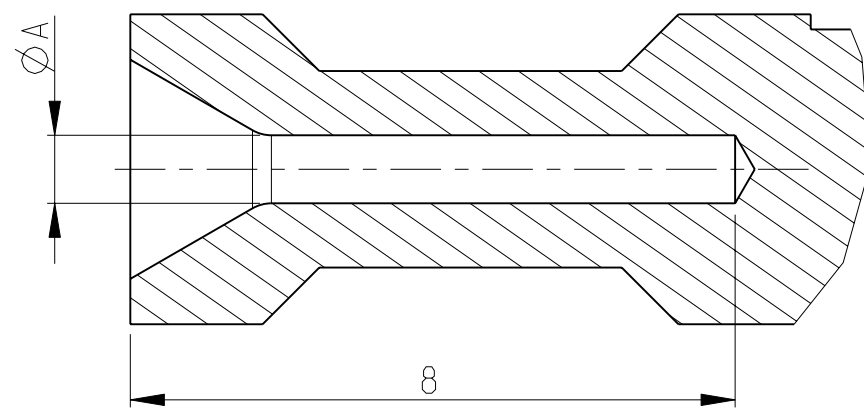
LOC		DIST		REVISIONS			
P	LTR	DESCRIPTION		DATE	DWN	APVD	
A1	-	G2	REVISED PER ECO-11-005150		31MAR2011	RK	HMR



NOTES

- 1 MATERIAL SEE TABLE
- 2 SURFACE SEE TABLE
- 3 ASSEMBLY WEIGHT SEE TABLE
- 4 PACKAGING: 50 PIECES IN POLYBAG
- 5 PACKAGING: 500 PIECES IN POLYBAG & CARTON
- 6 CROSS-SECTION MARKING
- 7 NO VENTILATION HOLE REQUIRED AT CROSS SECTION >4.0mm²
- 8 SUITABLE PIN CONTACT: PN 1105300
- 9 SUITABLE INSERTS: SERIES HVT
- 10 SUITABLE CRIMP TOOL: PN 1-1105851-8
- 11 SUITABLE INSERTION TOOL: PN 0-1102855-6
- 12 SUITABLE EXTRACTION TOOL: PN 0-1102855-3
- 13 STANDARDS: DIN EN 61984, DIN EN 60664-1

SECTION A-A



SCALE 3:1

														ASSEMBLY WEIGHT IN (Kg) 3											
0.00142	0.00144	0.00148	0.00145	0.00149	0.00150	0.00144	0.00148	0.00133	0.00142	0.00144	0.00148	0.00145	0.00149	0.00150											
1	1	1	1	1	1	1	1	1	1	1	1	1	1	1	Socket Contact 4.0 mm ²				CuZn39Pb3 F50	GOLD PLATING	2.85	3.9	6	1	
															Socket Contact 2.5 mm ²						2.2	3.2	5		
															Socket Contact 1.5 mm ²						1.8	3.0	4		
															Socket Contact 0.75-1.0 mm ²						1.45	2.6	3		
															Socket Contact 0.5 mm ²						1.1	2.6	2		
															Socket Contact 0.13-0.4 mm ²					0.9	2.6	1			
															Socket Contact 14 AWG					2.0	3.2	8			
															Socket Contact 12 AWG					2.55	3.6	9			
															Socket Contact 10 AWG					3.2	4.1	7			
															Socket Contact 4.0 mm ²					2.85	3.9	6			
															Socket Contact 2.5 mm ²				2.2	3.2	5				
															Socket Contact 1.5 mm ²				1.8	3.0	4				
															Socket Contact 0.75-1.0 mm ²				1.45	2.6	3				
															Socket Contact 0.5 mm ²				1.1	2.6	2				
															Socket Contact 0.13-0.4 mm ²				0.9	2.6	1				
4	5-2	4-2	3-2	2-2	1-2	6-2	8-2	9-1	7-2	5-1	4-1	3-1	2-1	1-1	6-1	DESCRIPTION				1	2	ØA	ØB	6	ITEM NO
5	5-9	4-9	3-9	2-9	1-9	6-9	8-8	9-8	7-8	5-8	4-8	3-8	2-8	1-8	6-8	ORDERING TEXT									
	HVT-C-Bu-Au-4.0 mm ²	HVT-C-Bu-Au-2.5 mm ²	HVT-C-Bu-Au-1.5 mm ²	HVT-C-Bu-Au-0.75-1.0 mm ²	HVT-C-Bu-Au-0.5 mm ²	HVT-C-Bu-Au-0.13-0.4 mm ²	HVT-C-Bu-Ag-AWG-14	HVT-C-Bu-Ag-AWG-12	HVT-C-Bu-Ag-AWG-10	HVT-C-Bu-Ag-AWG-10	HVT-C-Bu-Ag-AWG-10	HVT-C-Bu-Ag-AWG-10	HVT-C-Bu-Ag-AWG-10	HVT-C-Bu-Ag-AWG-10	HVT-C-Bu-Ag-AWG-10	HVT-C-Bu-Ag-AWG-10									

THIS DRAWING IS A CONTROLLED DOCUMENT.

DWN G.WROBLEWSKI 04 SEP.2007
 CHK I.SCHNURPEITL 04 SEP.2007
 APVD I.SCHNURPEITL 04 SEP.2007



DIMENSIONS: mm	TOLERANCES UNLESS OTHERWISE SPECIFIED: 0 PLC 1 PLC 2 PLC 3 PLC 4 C ANGLES	PRODUCT SPEC	APPLICATION SPEC	WEIGHT	CUSTOMER DRAWING
----------------	---	--------------	------------------	--------	------------------

NAME		SOCKET CONTACT SERIES HVT	
SIZE	CAGE CODE	DRAWING NO	RESTRICTED TO
A2	00779	C=1105301	-
SCALE 10:1		SHEET 1 OF 1	REV G2