



Chipsmall Limited consists of a professional team with an average of over 10 year of expertise in the distribution of electronic components. Based in Hongkong, we have already established firm and mutual-benefit business relationships with customers from,Europe,America and south Asia,supplying obsolete and hard-to-find components to meet their specific needs.

With the principle of “Quality Parts,Customers Priority,Honest Operation,and Considerate Service”,our business mainly focus on the distribution of electronic components. Line cards we deal with include Microchip,ALPS,ROHM,Xilinx,Pulse,ON,Everlight and Freescale. Main products comprise IC,Modules,Potentiometer,IC Socket,Relay,Connector.Our parts cover such applications as commercial,industrial, and automotives areas.

We are looking forward to setting up business relationship with you and hope to provide you with the best service and solution. Let us make a better world for our industry!



## Contact us

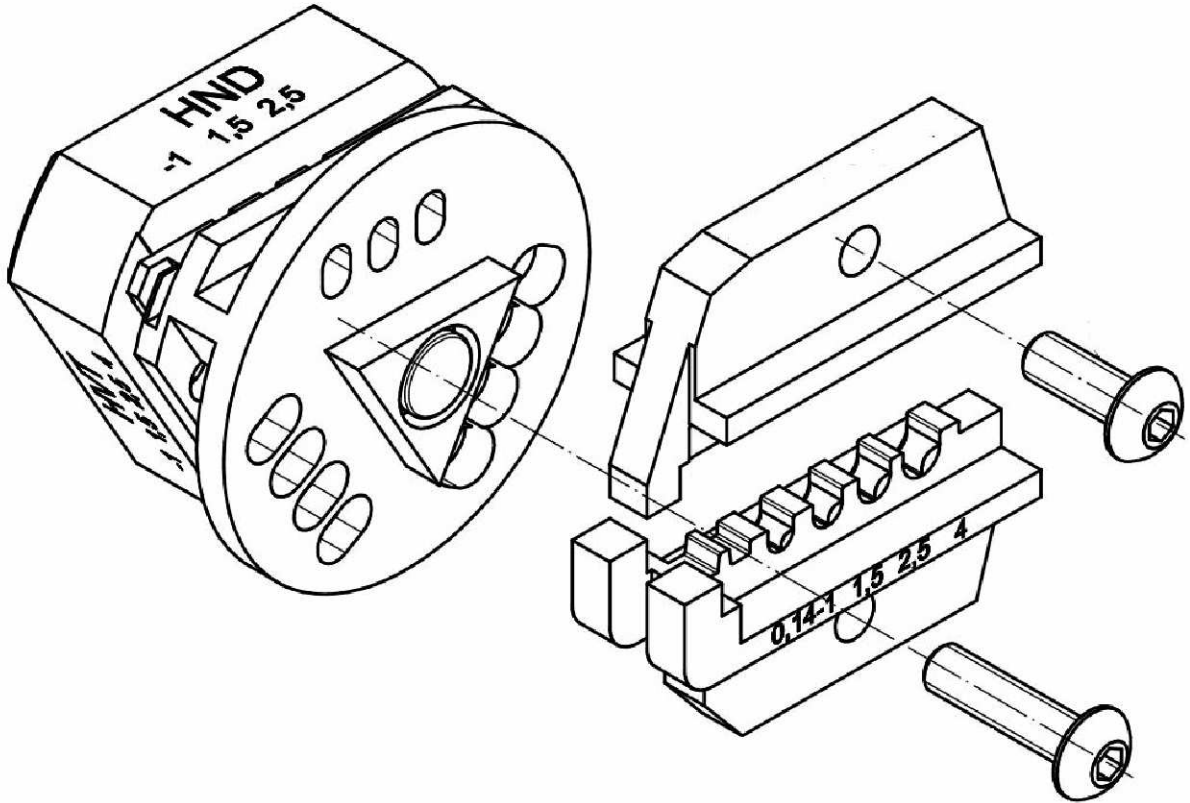
Tel: +86-755-8981 8866 Fax: +86-755-8427 6832

Email & Skype: info@chipsmall.com Web: www.chipsmall.com

Address: A1208, Overseas Decoration Building, #122 Zhenhua RD., Futian, Shenzhen, China



LOC AI	DIST 00	REVISIONS				
P	LTR	DESCRIPTION	DATE	DWN	APVD	
	A1	ECR-15-008714	09JUN2015	BM	GS	



USE DIE SET WITH HAND TOOL TE P/N 1-1105850-8 OR TE PN 539635-1  
*Matrize mit Handzange TE P/N 1-1105850-8 oder TE P/N 539635-1 verwenden.*

DIE SET INCL. LOCATOR PACKED IN A BOX (92x70x65 mm), TE LABEL WITH TE P/N AND REVISION RECORD:  
*Matrizensatz inkl. Kontaktaufnahme wird in einem Karton (92x70x65mm) verpackt, TE-Aufkleber mit TE P/N und Revisionsstand.*

THIS DRAWING IS UNPUBLISHED. BY TYCO ELECTRONICS CORPORATION. ALL INTERNATIONAL RIGHTS RESERVED.

DIMENSIONS: mm	DWN B. MUTH	09JUN2015	MATERIAL	FINISH				
	CHK G. STEGMAYER	09JUN2015						
TOLERANCES UNLESS OTHERWISE SPECIFIED:	APVD G. STEGMAYER	09JUN2015			NAME	HTS DIE SET,HN.D, HE/HA, HVT HTS Matrize, HN.D, HE/HA, HVT		
	0 PLC ± -	PRODUCT SPEC	SIZE	A4				
1 PLC ± -	APPLICATION SPEC	CAGE CODE	00779	DRAWING NO	1-1105852-8			
2 PLC ± -	WEIGHT	0.105 kg	RESTRICTED TO	-				
3 PLC ± -	CUSTOMER DRAWING	SCALE		1:1	SHEET	1 OF 1	REV	A1
4 PLC ± -	ANGLES ± -							