



Chipsmall Limited consists of a professional team with an average of over 10 year of expertise in the distribution of electronic components. Based in Hongkong, we have already established firm and mutual-benefit business relationships with customers from,Europe,America and south Asia,supplying obsolete and hard-to-find components to meet their specific needs.

With the principle of “Quality Parts,Customers Priority,Honest Operation,and Considerate Service”,our business mainly focus on the distribution of electronic components. Line cards we deal with include Microchip,ALPS,ROHM,Xilinx,Pulse,ON,Everlight and Freescale. Main products comprise IC,Modules,Potentiometer,IC Socket,Relay,Connector.Our parts cover such applications as commercial,industrial, and automotives areas.

We are looking forward to setting up business relationship with you and hope to provide you with the best service and solution. Let us make a better world for our industry!



Contact us

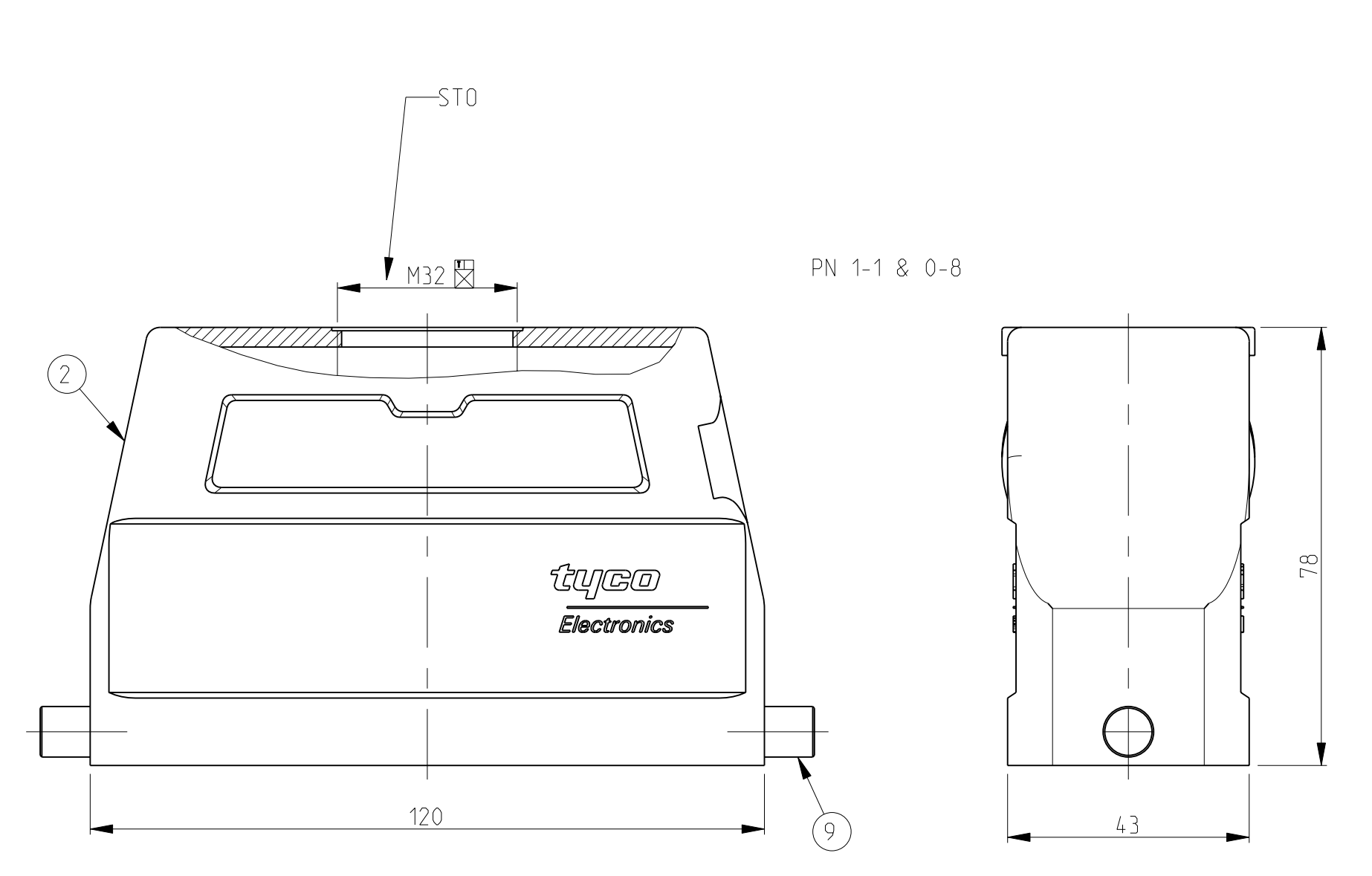
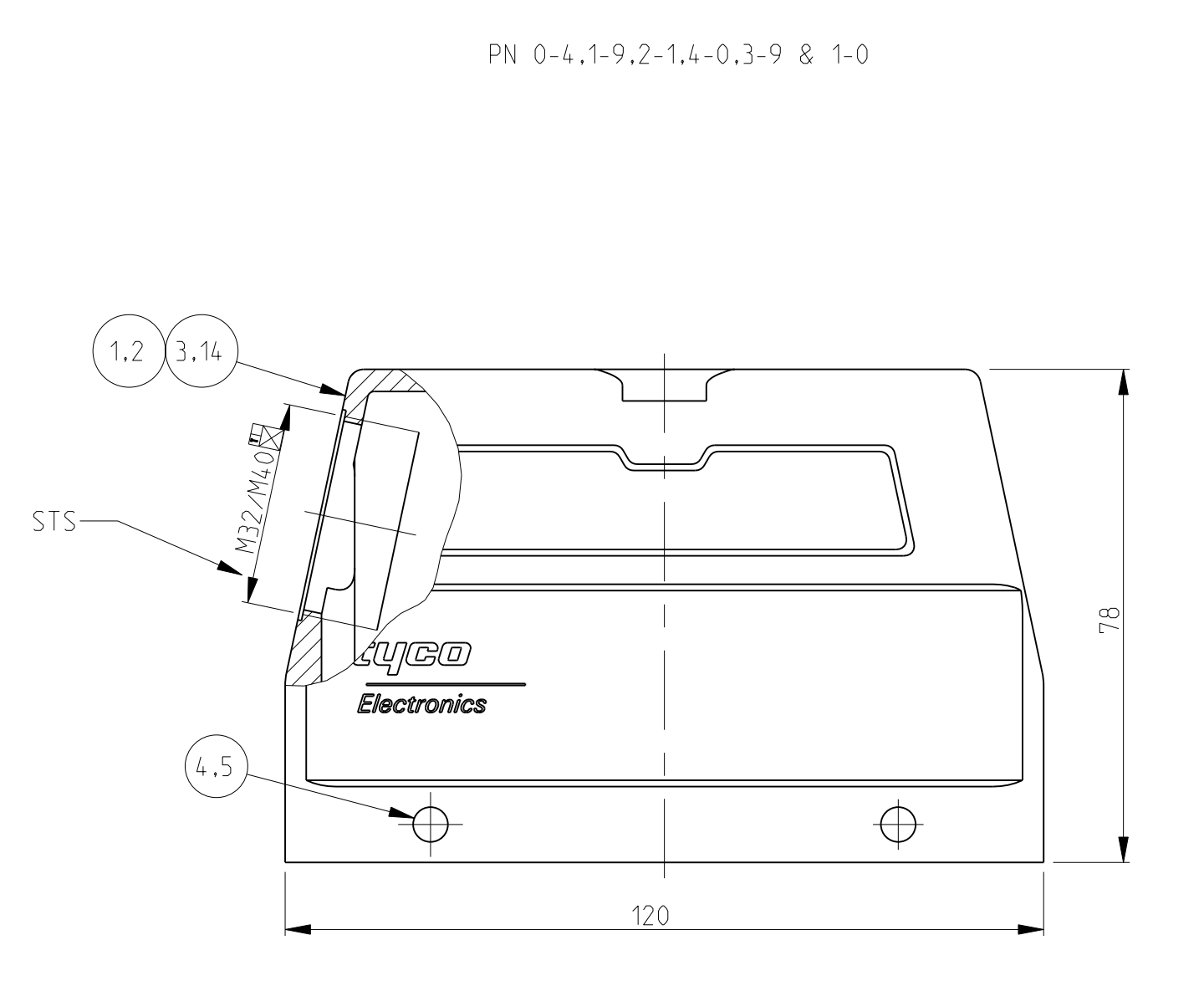
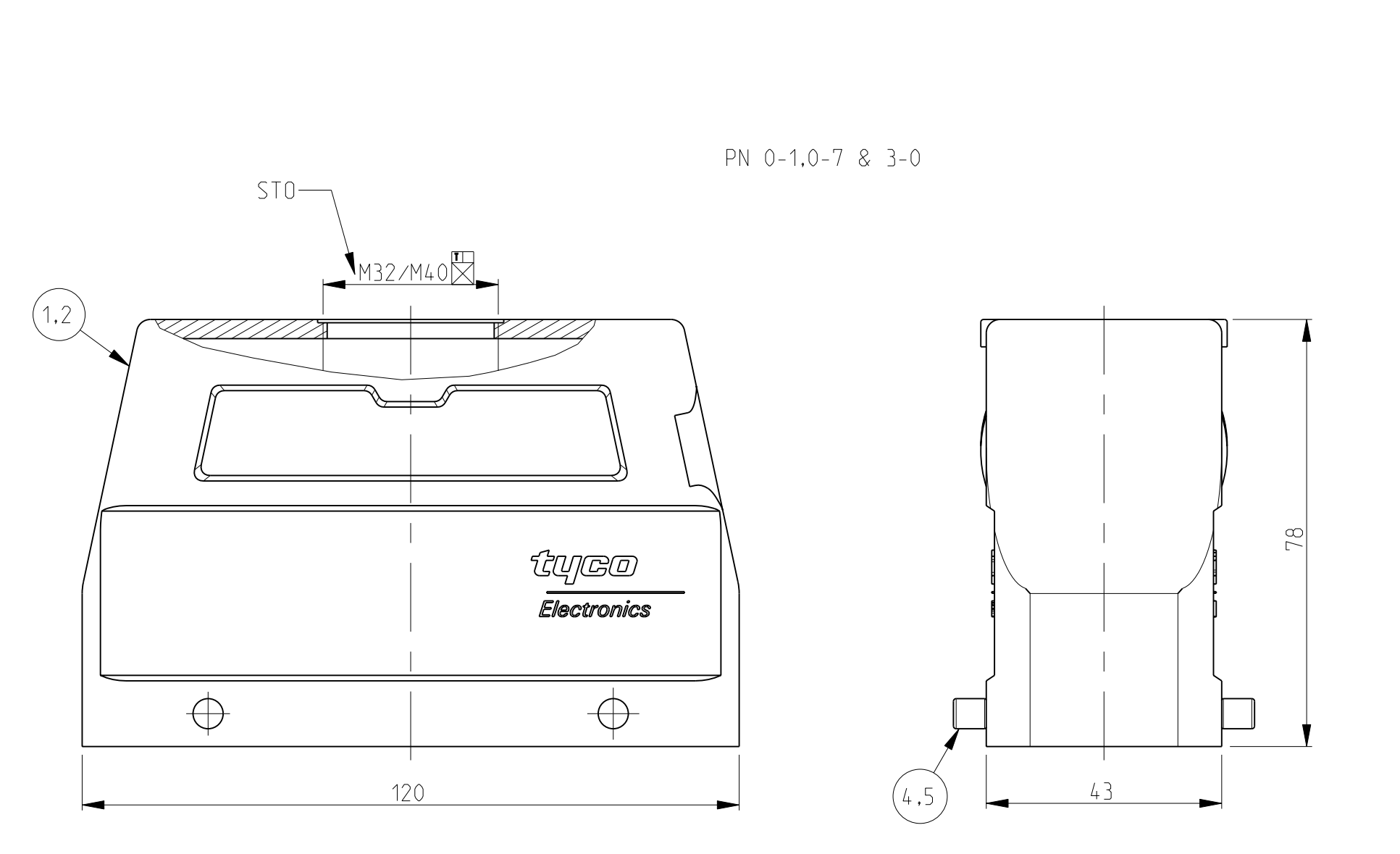
Tel: +86-755-8981 8866 Fax: +86-755-8427 6832

Email & Skype: info@chipsmall.com Web: www.chipsmall.com

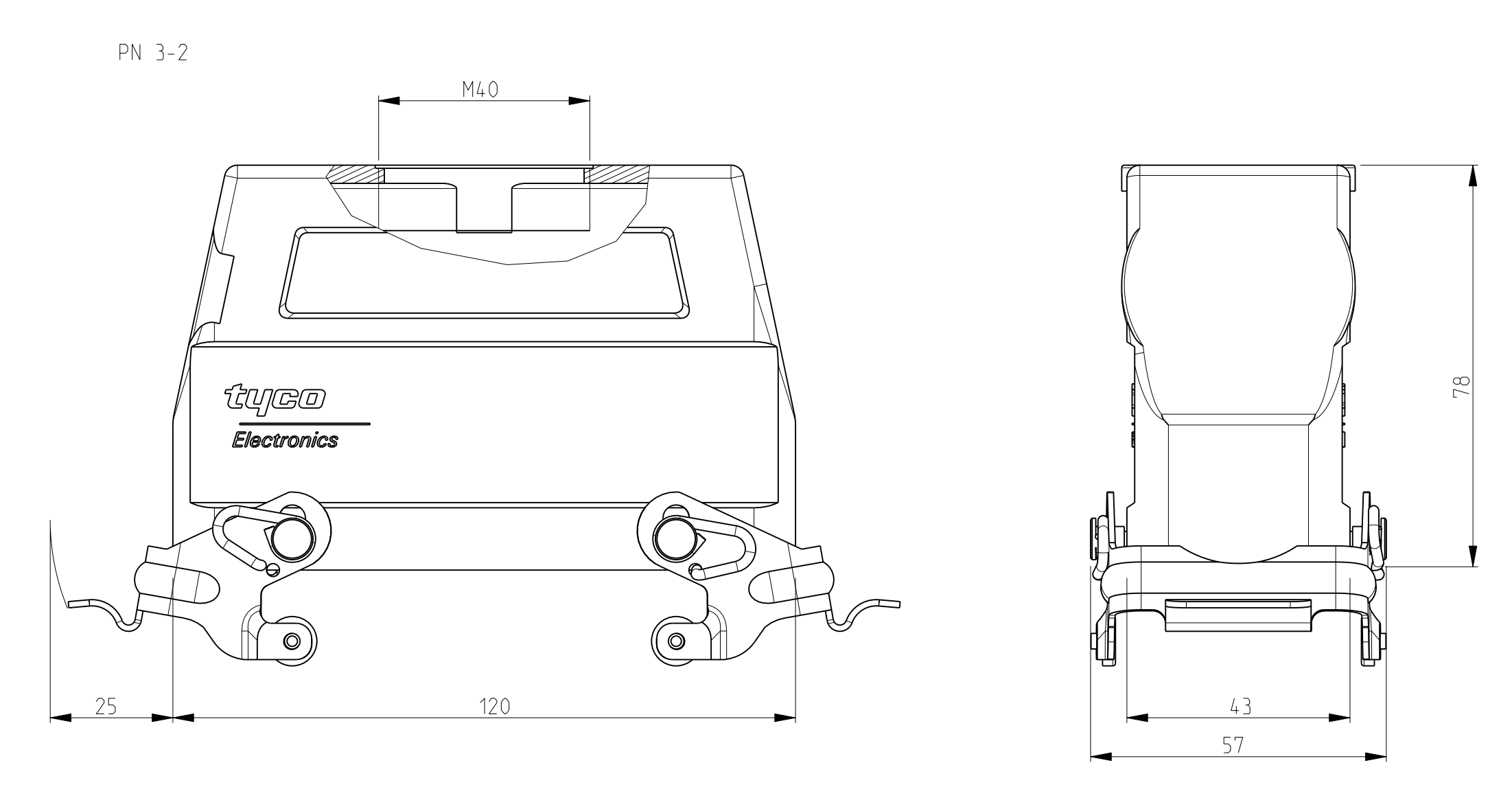
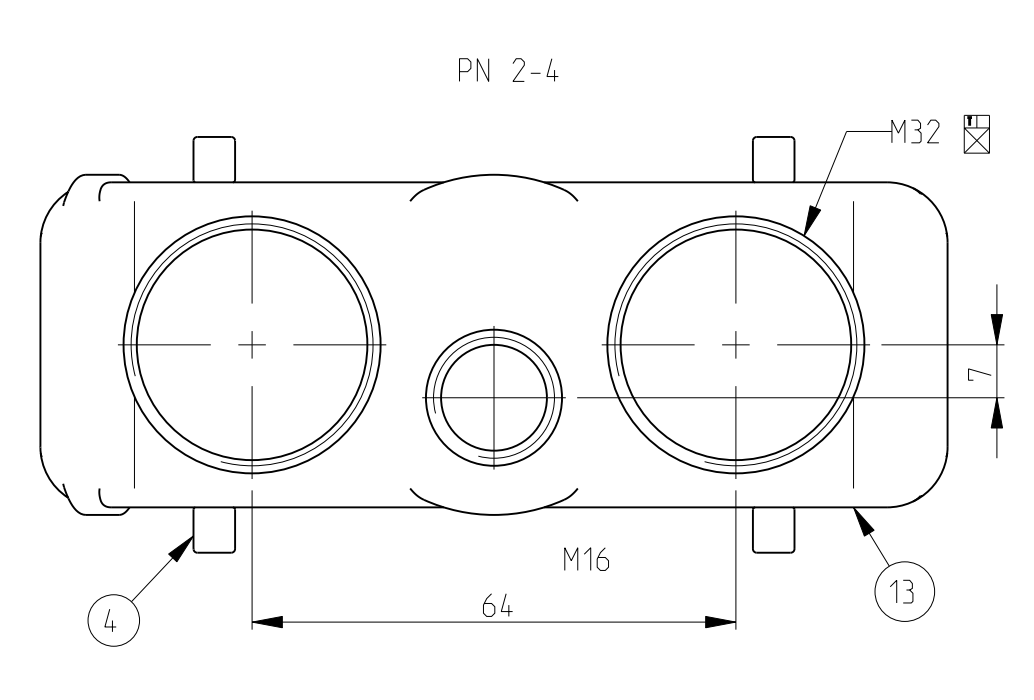
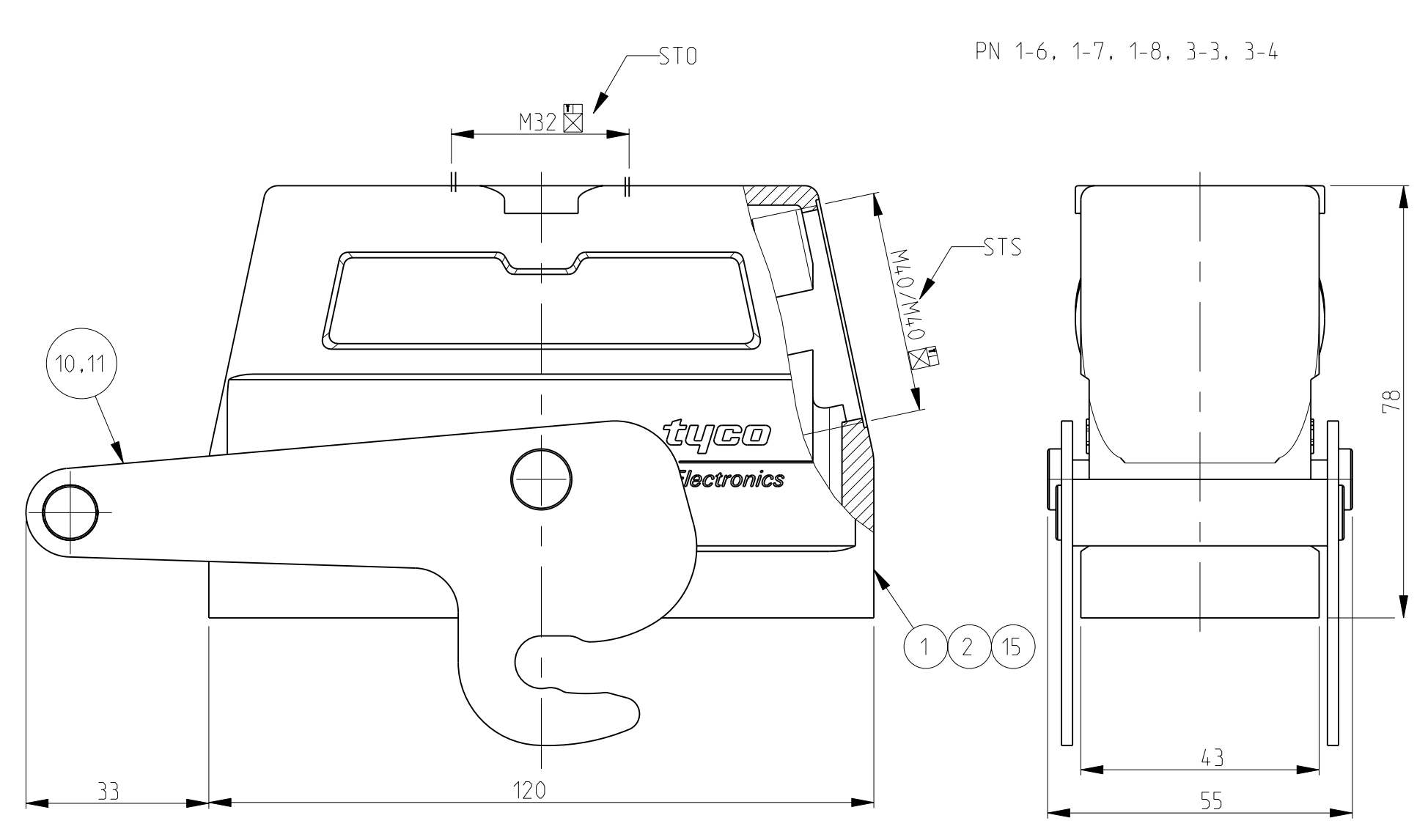
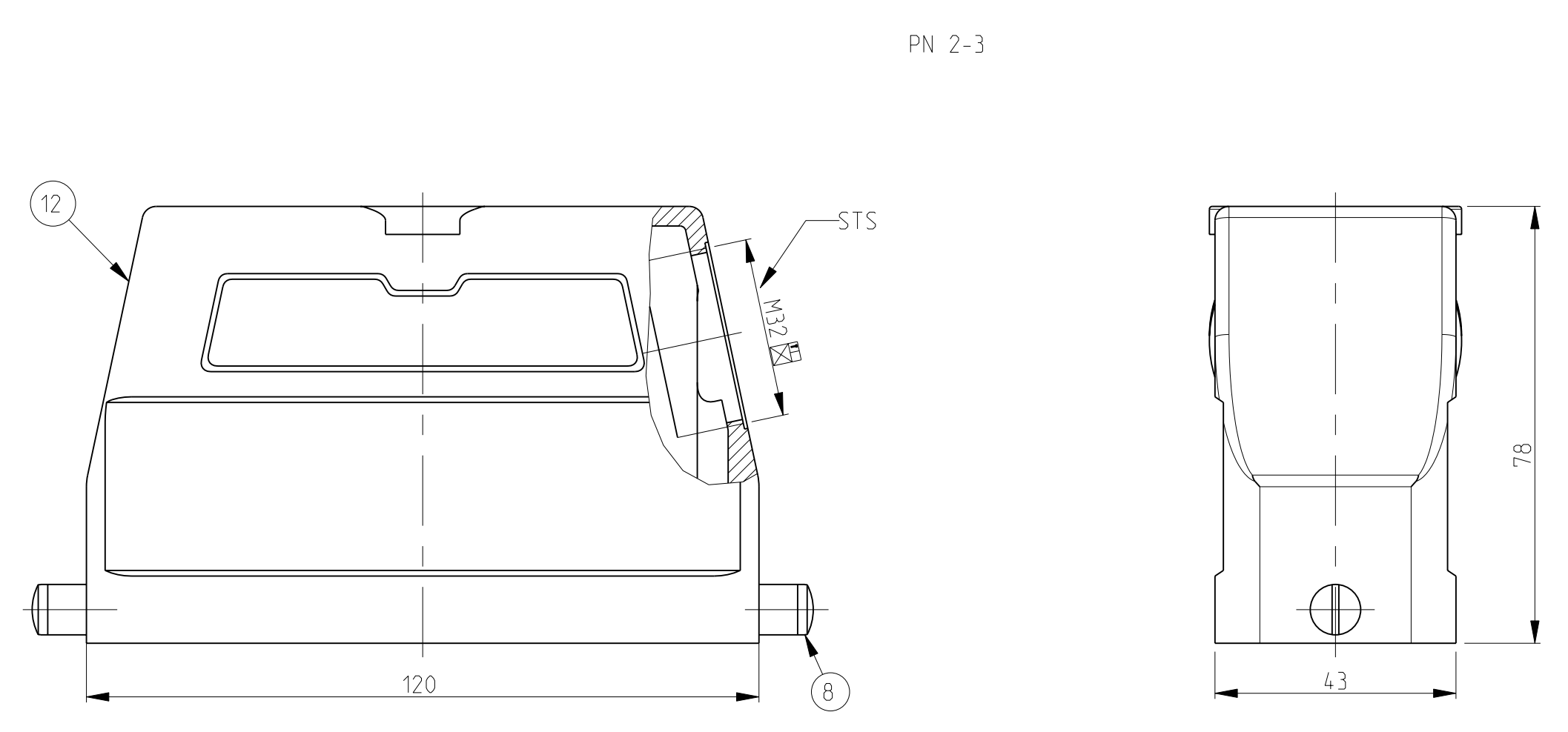
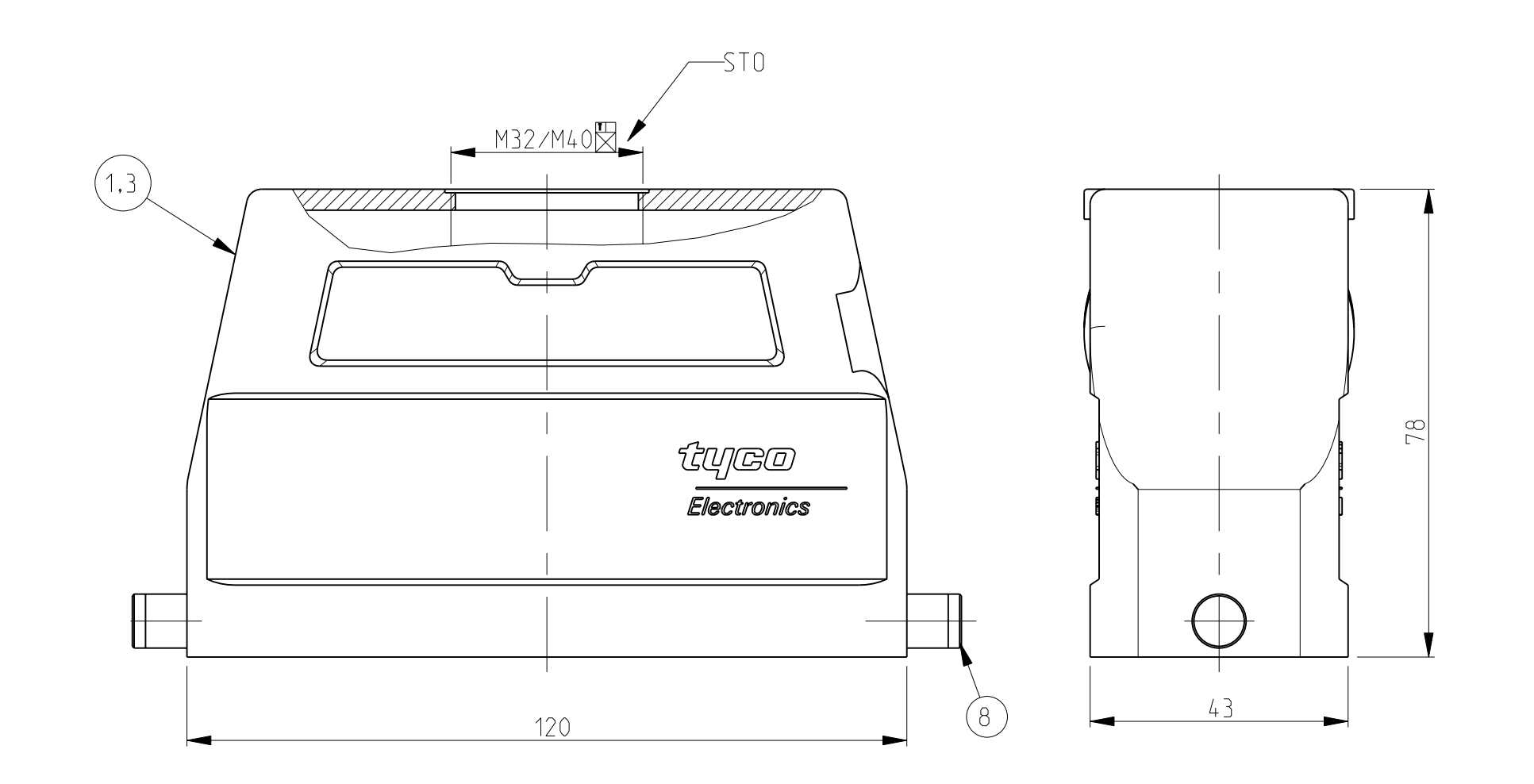
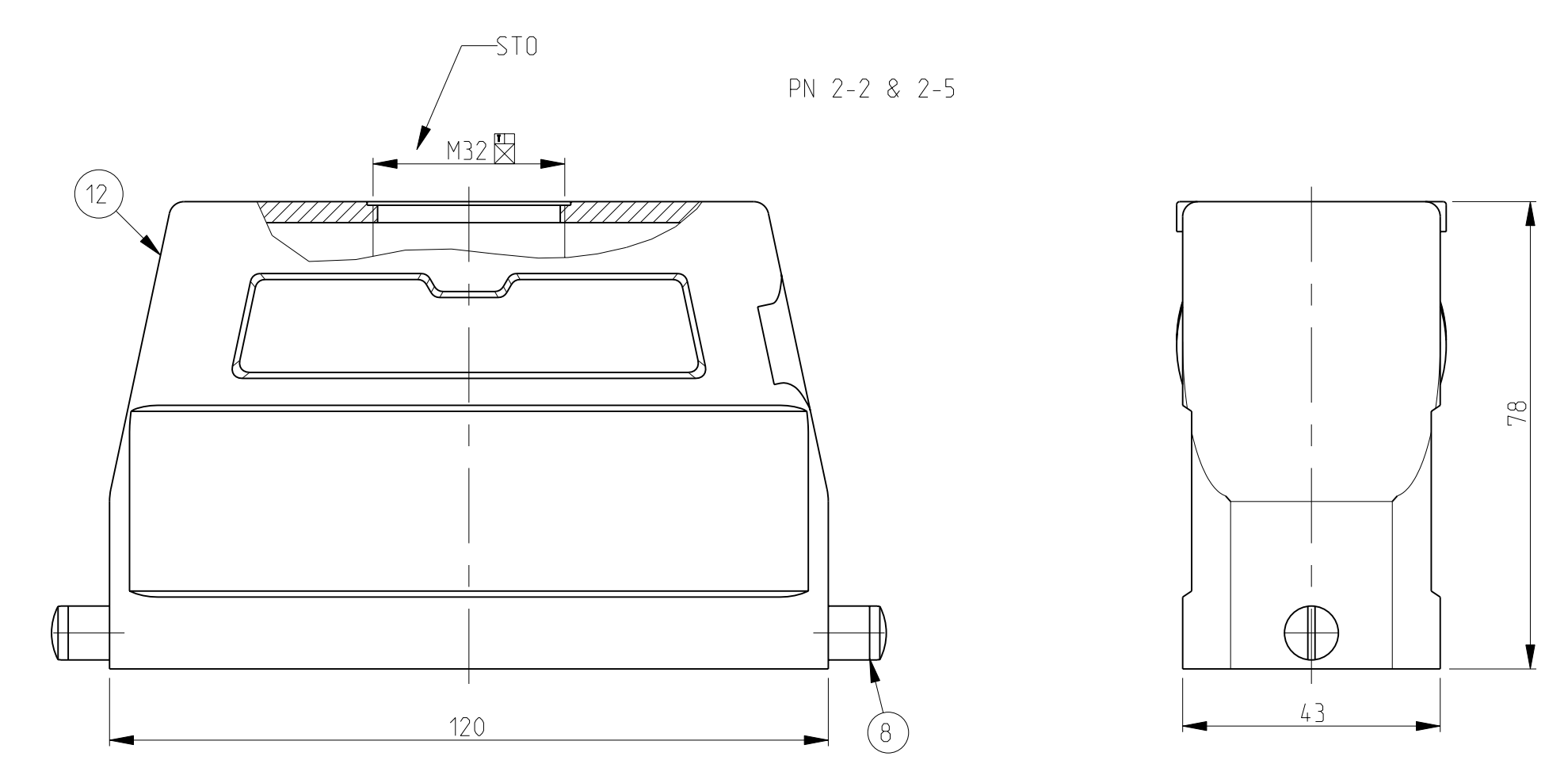
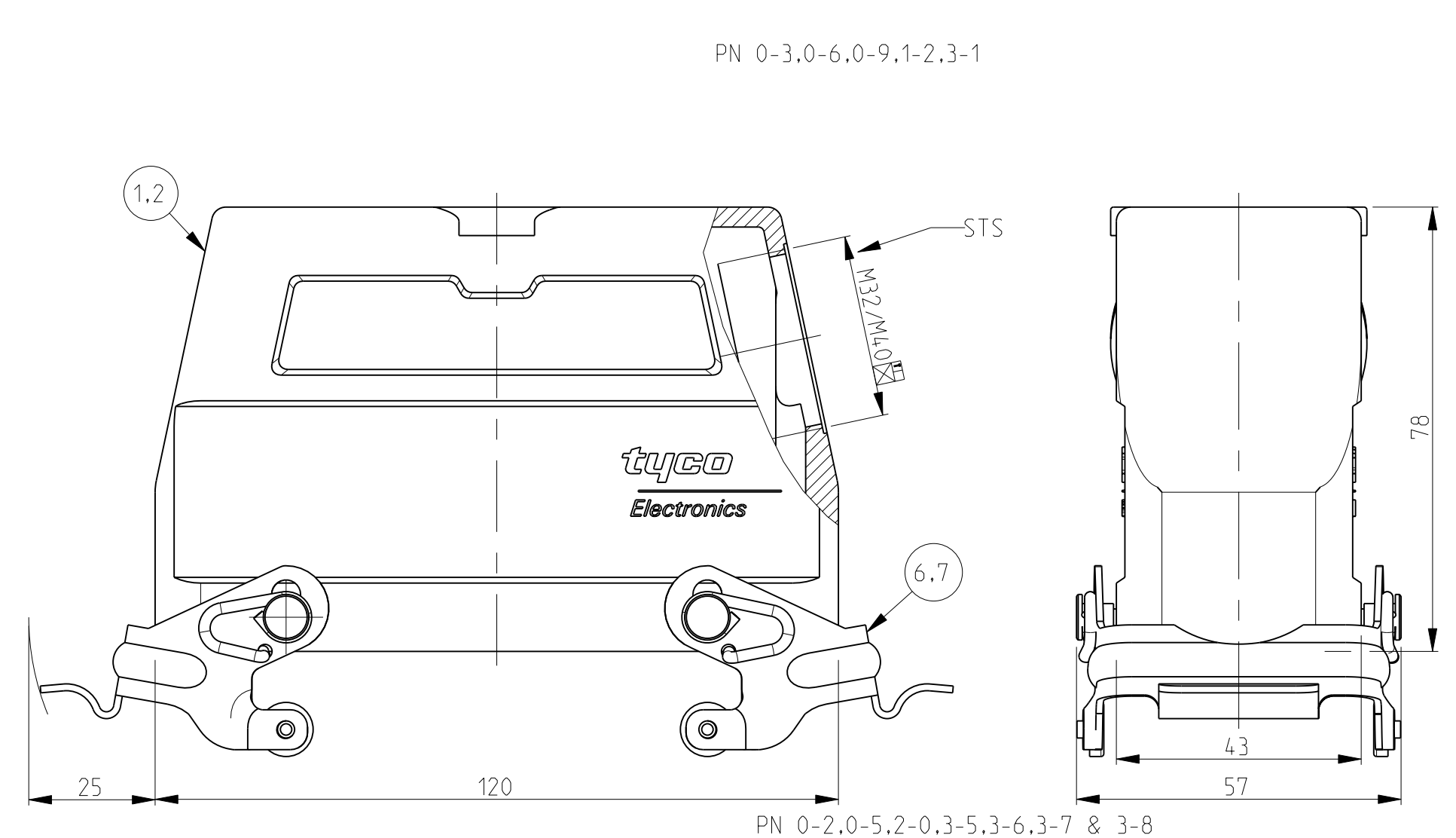
Address: A1208, Overseas Decoration Building, #122 Zhenhua RD., Futian, Shenzhen, China



REVISIONS				
REV	DATE	BY	CHK	APPV
A1				



- NOTES.
- Material:Housing:Aluminium Diecasting Alloy
 - Surface:Varnish grey
 - Varnish on the inside not necessary
 - Packaging Quantity 5 Pieces in a box
 - Without TE-Product sign
 - Special Packaging Quantity 50 Pieces in a Kanban box



ITEM NO	DESCRIPTION	MATERIAL	SURFACE	COLOR	ITEM NO	NOTES
1	HD HOOD	Aluminium		GREY	15	
1	HD-EMV Hood	Aluminium	chromi. AL passivation	Black	14	
1	HD Hood	Aluminium		Grey	13	
1	HD Hood	Aluminium	Neutral	Grey	12	Without TE-Logo
1	ZB-Central clip	Stainless steel	Blank	Zinc plated	11	
1	ZB-Central clip	Steel		Zinc plated	10	
2	LB-Clip bolt	Stainless steel	Blank	Blue	9	
2	LB-Clip bolt	Steel		Zinc plated	8	
2	VS-Side clip	Stainless steel	Blank	Zinc plated	7	
2	VS-Side clip	Steel		Zinc plated	6	
4	VS-Clip bolt	Stainless steel	Blank	Blue	5	
4	VS-Clip bolt	Steel		Zinc plated	4	
1	HD Hood	Aluminium		Grey	3	Without TE-Logo
1	HD-K Hood	Aluminium	Aluminium oxide	Black	2	
1	HD Hood	Aluminium		Grey	1	

THIS DRAWING IS A CONTROLLED DOCUMENT. DATE: 30-Nov-07. BY: Schneider. CHECKED: 30-Nov-07. BY: Schweiger.

PRODUCT SPEC: JOB-74001/74003. APPLICATOR SPEC: 114-74001/74004. MATERIAL: -. FINISH: -. REWORK: -. CUSTOMER DRAWING.

SCALE: 1:1. SHEET: 1 OF 1. REV: A1.1.

STE TE Connectivity. Hood HD.64.STS.M32/1.M4.0.G.