



Chipsmall Limited consists of a professional team with an average of over 10 year of expertise in the distribution of electronic components. Based in Hongkong, we have already established firm and mutual-benefit business relationships with customers from,Europe,America and south Asia,supplying obsolete and hard-to-find components to meet their specific needs.

With the principle of “Quality Parts,Customers Priority,Honest Operation,and Considerate Service”,our business mainly focus on the distribution of electronic components. Line cards we deal with include Microchip,ALPS,ROHM,Xilinx,Pulse,ON,Everlight and Freescale. Main products comprise IC,Modules,Potentiometer,IC Socket,Relay,Connector.Our parts cover such applications as commercial,industrial, and automotives areas.

We are looking forward to setting up business relationship with you and hope to provide you with the best service and solution. Let us make a better world for our industry!



Contact us

Tel: +86-755-8981 8866 Fax: +86-755-8427 6832

Email & Skype: info@chipsmall.com Web: www.chipsmall.com

Address: A1208, Overseas Decoration Building, #122 Zhenhua RD., Futian, Shenzhen, China



4

3

2

1

THIS DRAWING IS UNPUBLISHED.
VERTRAULICHE UNVERÖFFENTLICHTE ZEICHNUNG

RELEASED FOR PUBLICATION
FREI FUER VERÖFFENTLICHUNG
2000.

MATED WITH:
PASSEND ZU:
HA3 Bg1

LOC
AI

DIST
-

P

LTR

REVISIONS
ÄNDERUNGEN

DESCRIPTION
BESCHREIBUNG

DATE

DWN

APVD

© COPYRIGHT 1998

BY AMP INCORPORATED. ALL RIGHTS RESERVED.
ALLE RECHTE VORBEHALTEN

PROJEKT NR.:
B904187

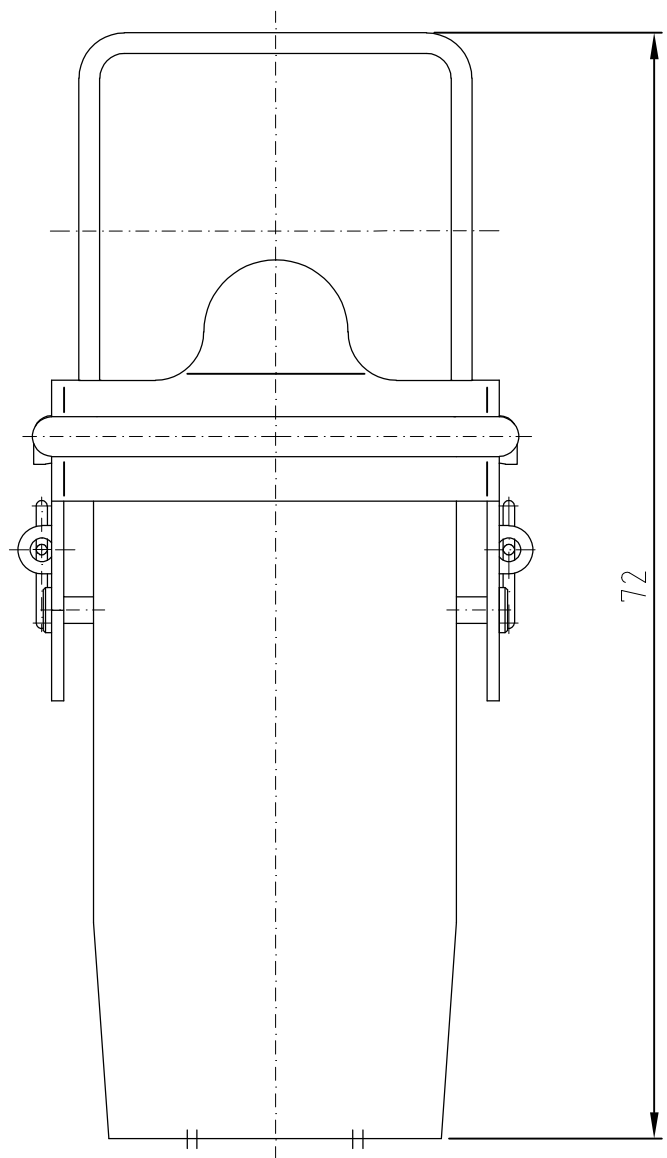
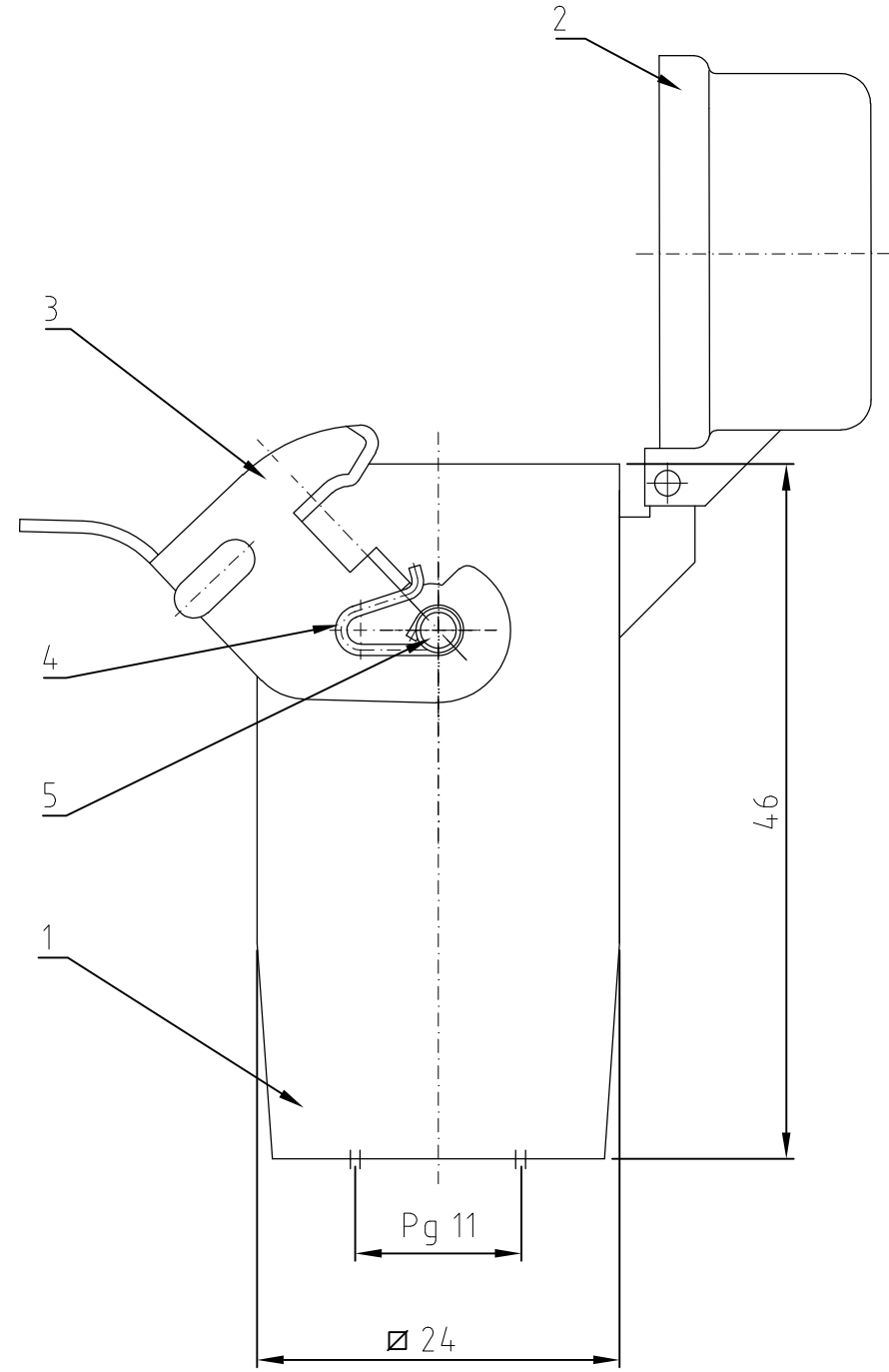
A2

ECR-10-021187

14.10.2010

SR

PF



2	Bügelhalter	1.4305	blank	5	
2	Feder	1.4310	blank	4	
1	Verrigelungsbügel	St2	verzinkt	3	
1	Deckel	GD-Zn Al 4	blau	2	
1	Kupplungsgehäuse	GD-Zn Al 4	blau	1	
1-2	DESCRIPTION / BENENNUNG	MATERIAL	COLOR / FARBE	ITEM NO. POS.	REMARKS / BEMERKUNGEN

DESCRIPTION HA.3.KD0D-LB.1.11.Z	THIS DRAWING IS A CONTROLLED DOCUMENT FOR AMP INCORPORATED. IT IS SUBJECT TO CHANGE AND THE CONTROLLING ENGINEERING ORGANIZATION SHOULD BE CONTACTED FOR THE LATEST REVISION. DIESES ZEICHNUNGSDOKUMENT WIRD DURCH AMP INCORPORATED KONTROLLIERT. ÄNDERUNGEN, DIE DEM TECHNISCHEN FORTSCHRITT DIENEN, SIND VORBEHALTEN. DEN JEWEILS LETZTGÜELTIGEN ÄNDERUNGSSTAND ERFAHREN SIE AUF ANFRAGE.		DWN Schneider 19.05.00	Tyco Electronics AMP, GmbH 53757 Sankt Augustin Germany	
	DIMENSIONS: DIMENSIONEN: mm		CHK Schweiger 19.05.00	NAME Cable to cable hood Kupplungsgehäuse	
	TOLERANCES UNLESS OTHERWISE SPECIFIED: ALLGEMEINTOLERANZEN n. ISO 8015 n. ISO 2768 - mH - E n. DIN 16901 - 14.0		APVD -	PRODUCT SPEC PRODUKTSPEZ. -	
	MATERIAL		APPLICATION SPEC VERARBEITUNGSSPEZ. -	SIZE A3	CAGE CODE 00779
FINISH / OBERFLÄCHE / FARBE		WEIGHT GEWICHT -	RESTRICTED TO NUR FUER -		SCALE MASSSTAB 2:1
CUSTOMER DRAWING		/ KUNDENZEICHNUNG		SHEET BLATT 1	OF VON 1
				REV. A2	