



Chipsmall Limited consists of a professional team with an average of over 10 year of expertise in the distribution of electronic components. Based in Hongkong, we have already established firm and mutual-benefit business relationships with customers from,Europe,America and south Asia,supplying obsolete and hard-to-find components to meet their specific needs.

With the principle of “Quality Parts,Customers Priority,Honest Operation,and Considerate Service”,our business mainly focus on the distribution of electronic components. Line cards we deal with include Microchip,ALPS,ROHM,Xilinx,Pulse,ON,Everlight and Freescale. Main products comprise IC,Modules,Potentiometer,IC Socket,Relay,Connector.Our parts cover such applications as commercial,industrial, and automotives areas.

We are looking forward to setting up business relationship with you and hope to provide you with the best service and solution. Let us make a better world for our industry!



Contact us

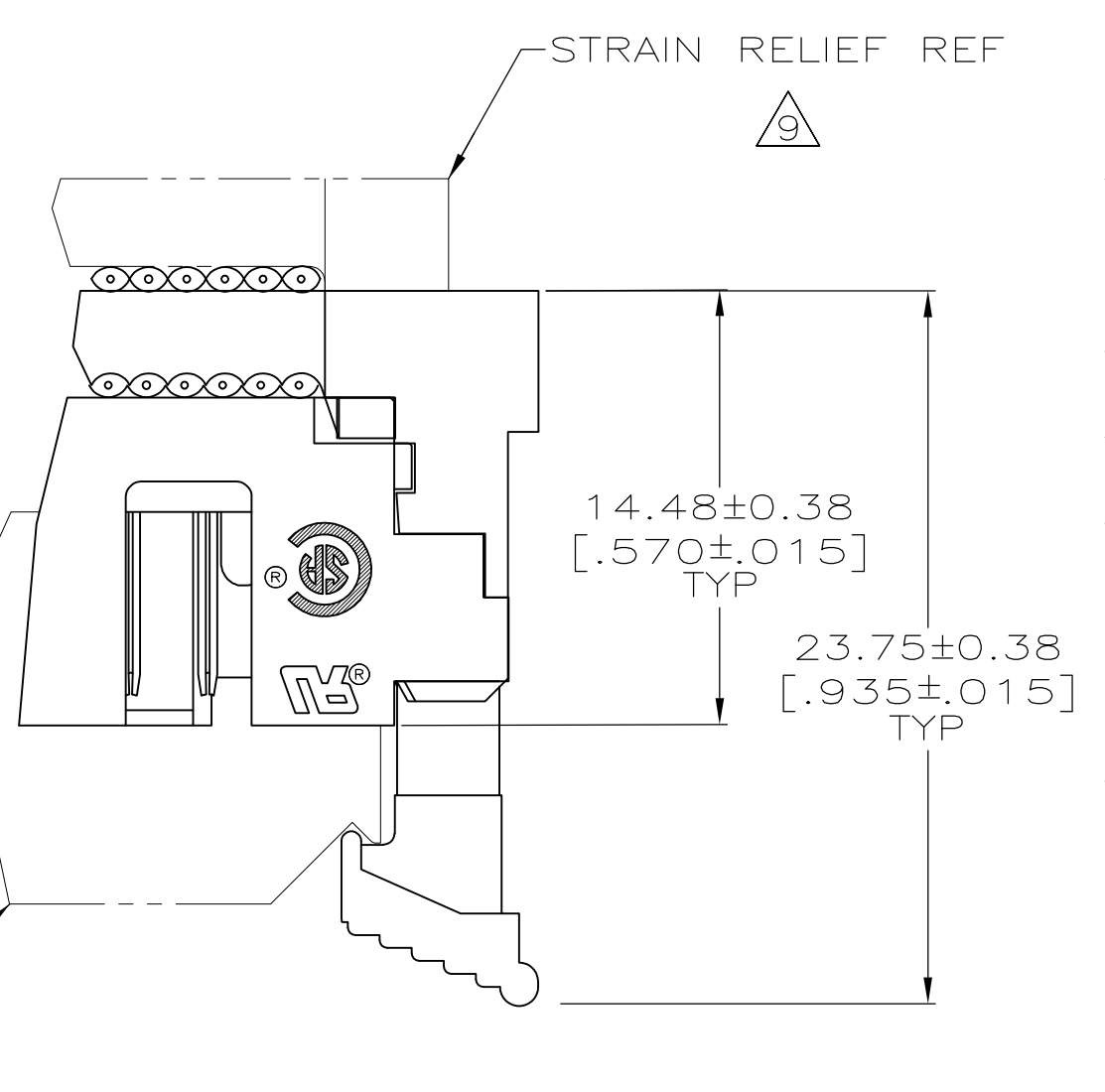
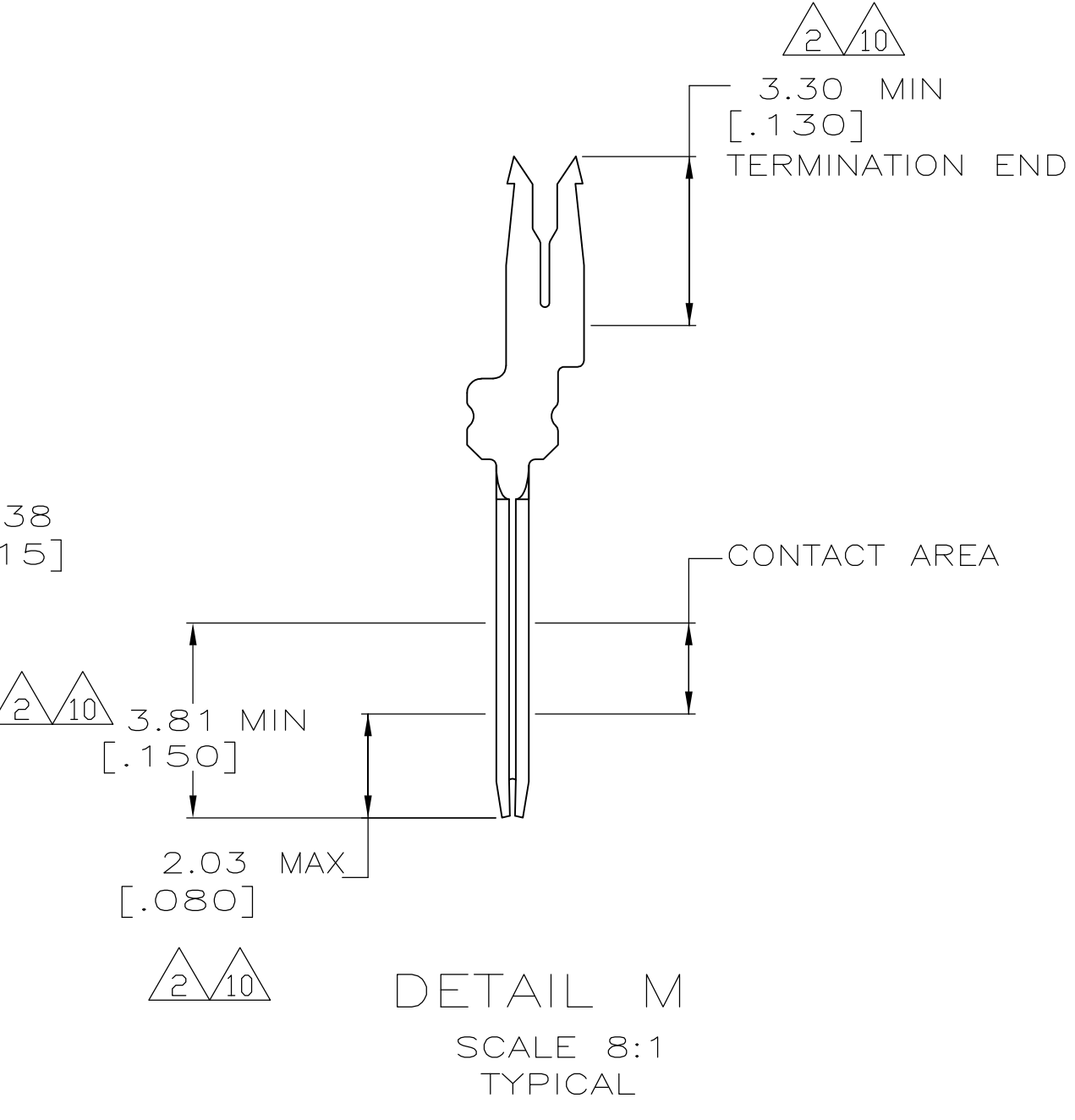
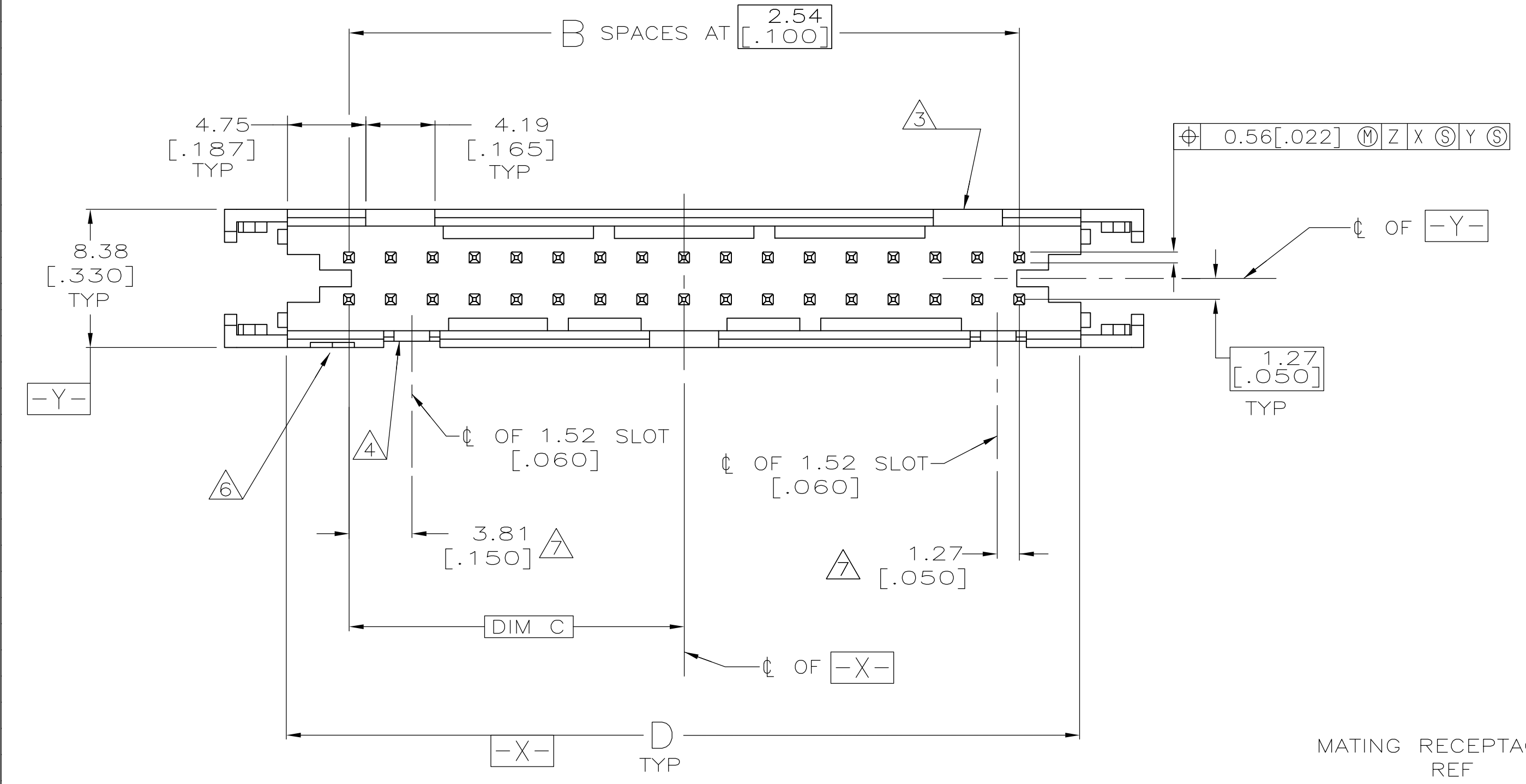
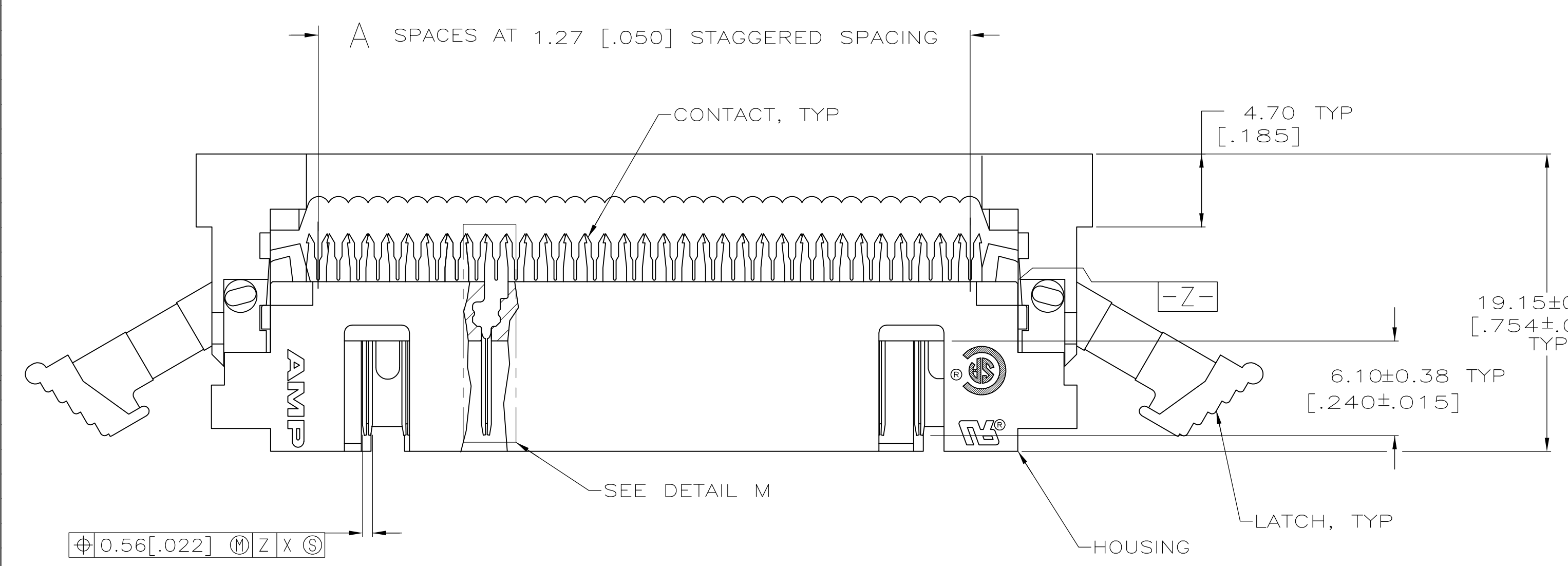
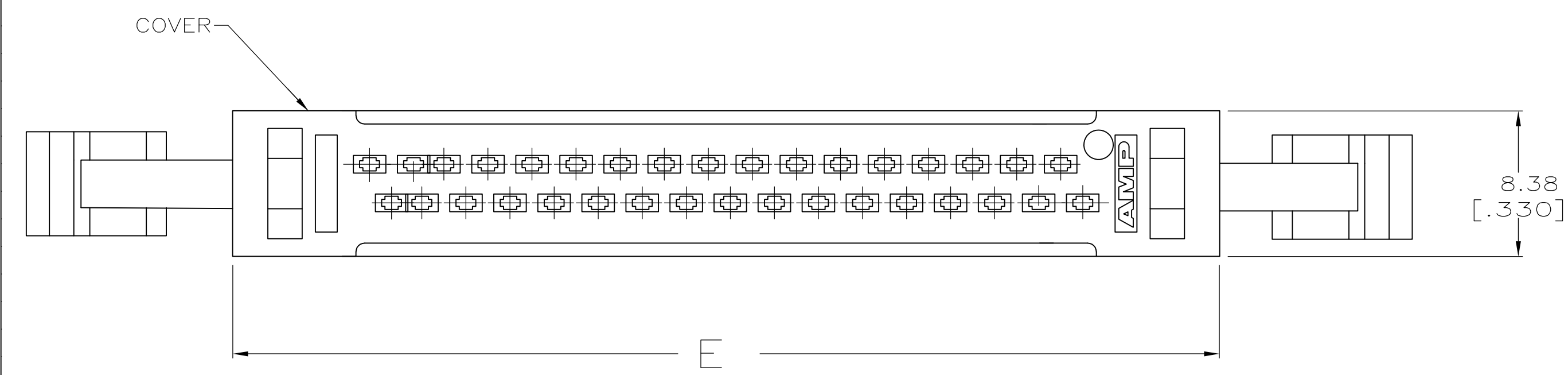
Tel: +86-755-8981 8866 Fax: +86-755-8427 6832

Email & Skype: info@chipsmall.com Web: www.chipsmall.com

Address: A1208, Overseas Decoration Building, #122 Zhenhua RD., Futian, Shenzhen, China



- 1 FLAME RETARDANT 94V-0 RATED THERMOPLASTIC; BLACK.
- 2 2.54µm [.000100] MIN BRIGHT TIN-LEAD ON TERMINATION END, 0.76µm [.000030] MIN GOLD ON CONTACT AREA, ALL OVER 1.27µm [.000050] MIN NICKEL.
-OR-
GOLD FLASH OVER PALLADIUM-NICKEL 0.76µm [.000030] TOTAL ON CONTACT AREA, 2.54µm [.000100] MIN BRIGHT TIN-LEAD ON TERMINATION END, ALL OVER 1.27µm [.000050] MIN NICKEL.
- 3 NO SLOT ON THIS END FOR 10 POSITION HOUSINGS.
- 4 NO SLOT FOR SNAP-IN POLARIZER ON THIS END FOR 10 AND 14 POSITION HOUSINGS.
- 5 FOR MILITARY POLARIZATION, ORDER SNAP-IN POLARIZER 499991-2 (BULK PACK OF 50).
- 6 POSITION NO 1 INDICATOR.
- 7 COORDINATE DIMENSION APPLIES FROM CENTER OF ACTUAL FEATURE.
- 8 PHOSPHOR BRONZE PER QQ-B-750.
- 9 STRAIN RELIEF 111547 MUST BE ORDERED SEPARATELY.
- 10 2.54µm [.000100] MIN MATTE TIN ON TERMINATION END, 0.76µm [.000030] MIN GOLD ON CONTACT AREA, ALL OVER 1.27µm [.000050] MIN NICKEL.
-OR-
GOLD FLASH OVER PALLADIUM-NICKEL 0.76µm [.000030] TOTAL ON CONTACT AREA, 2.54µm [.000100] MIN MATTE TIN ON TERMINATION END, ALL OVER 1.27µm [.000050] MIN NICKEL.
- 11 OBSOLETE.
- 12 OBSOLETE PARTS: OBSOLETE CIS STREAMLINING PER D.RENAUD/D.SINISI.



COVER AND LATCH NOT SHOWN IN THIS VIEW FOR CLARITY

TERMINATED ASSEMBLY (ASSEMBLED BY CUSTOMER)

CONTACT FINISH	E	D	C	B	A	NO OF POSN	PART NUMBER
10	89.59 [3.527]	81.13 [3.194]	36.83 [1.450]	29	59	60	2-111492-6
10	78.03 [3.072]	68.43 [2.694]	30.48 [1.200]	24	49	50	2-111492-5
10	70.41 [2.772]	60.81 [2.394]	26.67 [1.050]	21	43	44	2-111492-4
10	65.33 [2.572]	55.73 [2.194]	24.13 [.950]	19	39	40	2-111492-3
10	57.71 [2.272]	48.11 [1.894]	20.32 [.800]	16	33	34	2-111492-2
10	52.63 [2.072]	43.03 [1.694]	17.78 [.700]	14	29	30	2-111492-1
10	47.55 [1.872]	37.95 [1.494]	15.24 [.600]	12	25	26	2-111492-0
10	45.01 [1.772]	35.41 [1.394]	13.97 [.550]	11	23	24	1-111492-9
10	39.93 [1.572]	30.33 [1.194]	11.43 [.450]	9	19	20	1-111492-8
10	34.85 [1.372]	25.25 [.994]	8.89 [.350]	7	15	16	1-111492-7
10	32.31 [1.272]	22.71 [.894]	7.62 [.300]	6	13	14	1-111492-6
10	27.23 [1.072]	17.63 [.694]	5.08 [.200]	4	9	10	1-111492-5
11	89.59 [3.772]	81.13 [3.394]	36.83 [1.550]	31	63	64	1-111492-4
11	78.03 [3.772]	68.43 [3.394]	30.48 [1.550]	31	63	64	1-111492-3
11	70.41 [3.527]	60.81 [3.194]	26.67 [1.450]	29	59	60	1-111492-2
11	65.33 [3.072]	55.73 [2.694]	24.13 [1.200]	24	49	50	1-111492-1
11	57.71 [2.772]	48.11 [2.394]	20.32 [1.050]	21	43	44	1-111492-0
12 SUPERCEDED	65.33 [2.572]	55.73 [2.194]	24.13 [.950]	19	39	40	-111492-9
11	57.71 [2.272]	48.11 [1.894]	20.32 [.800]	16	33	34	111492-8
12 SUPERCEDED	52.63 [2.072]	43.03 [1.694]	17.78 [.700]	14	29	30	-111492-7
12 SUPERCEDED	47.55 [1.872]	37.95 [1.494]	15.24 [.600]	12	25	26	-111492-6
12 SUPERCEDED	45.01 [1.772]	35.41 [1.394]	13.97 [.550]	11	23	24	-111492-5
11	39.93 [1.572]	30.33 [1.194]	11.43 [.450]	9	19	20	111492-4
11	34.85 [1.372]	25.25 [.994]	8.89 [.350]	7	15	16	111492-3
12 SUPERCEDED	32.31 [1.272]	22.71 [.894]	7.62 [.300]	6	13	14	-111492-2
11	27.23 [1.072]	17.63 [.694]	5.08 [.200]	4	9	10	111492-1

THIS DRAWING IS A CONTROLLED DOCUMENT. DIN C. OBERMAN 8-9-90. CHK: F. M. HEINRY 11-28-90. NAME: UNIVERSAL I/O PIN CONNECTOR, WITHOUT MOUNTING EARS, WITH STD COVER LATCHES, AMP-LATCH. PRODUCT SPEC: 108-1336. APPLICATION SPEC: 114-7011. SIZE: A1. WEIGHT: -. CUSTOMER DRAWING. SCALE: 4:1. SHEET: 1 OF 1. REV: J.