



Chipsmall Limited consists of a professional team with an average of over 10 year of expertise in the distribution of electronic components. Based in Hongkong, we have already established firm and mutual-benefit business relationships with customers from,Europe,America and south Asia,supplying obsolete and hard-to-find components to meet their specific needs.

With the principle of “Quality Parts,Customers Priority,Honest Operation,and Considerate Service”,our business mainly focus on the distribution of electronic components. Line cards we deal with include Microchip,ALPS,ROHM,Xilinx,Pulse,ON,Everlight and Freescale. Main products comprise IC,Modules,Potentiometer,IC Socket,Relay,Connector.Our parts cover such applications as commercial,industrial, and automotives areas.

We are looking forward to setting up business relationship with you and hope to provide you with the best service and solution. Let us make a better world for our industry!



Contact us

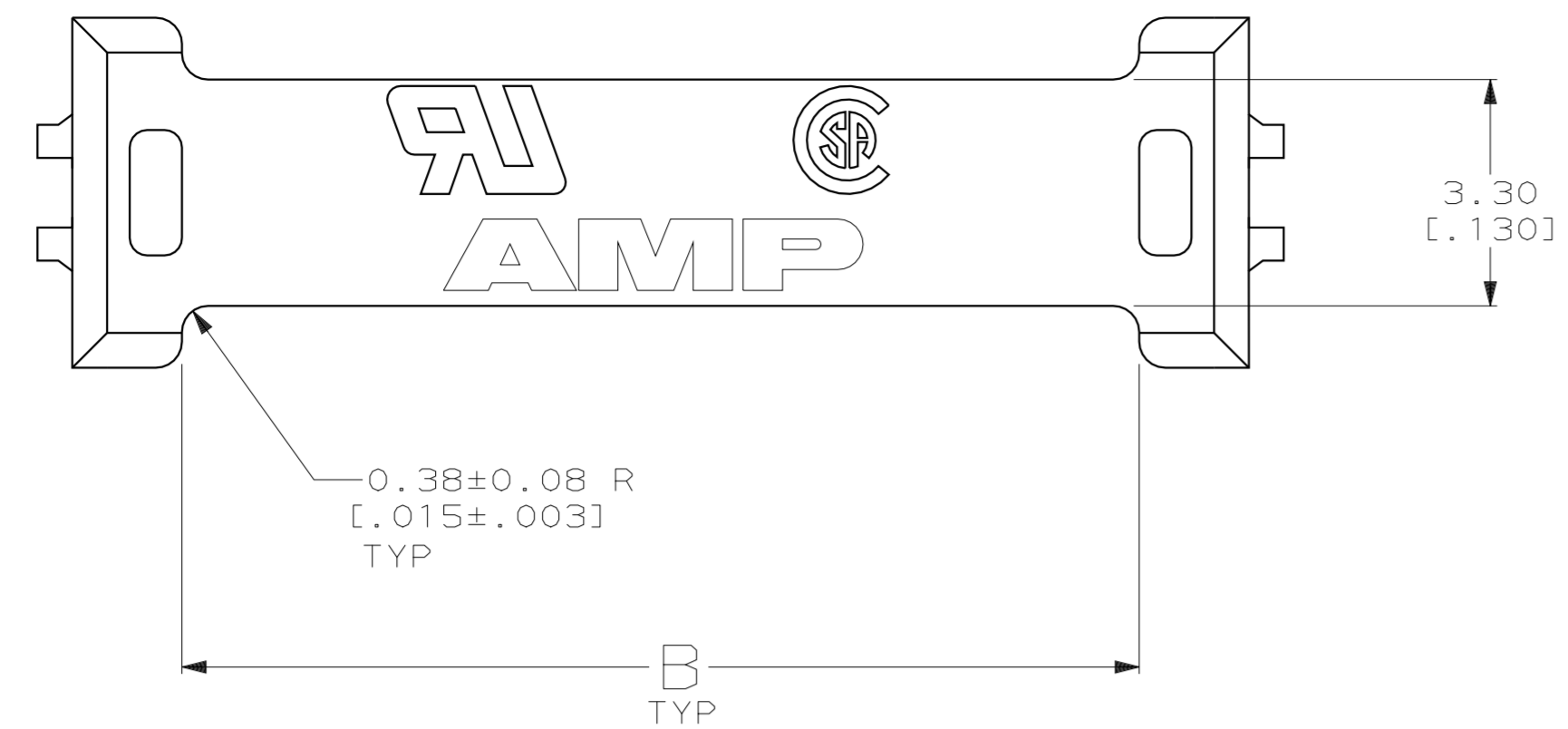
Tel: +86-755-8981 8866 Fax: +86-755-8427 6832

Email & Skype: info@chipsmall.com Web: www.chipsmall.com

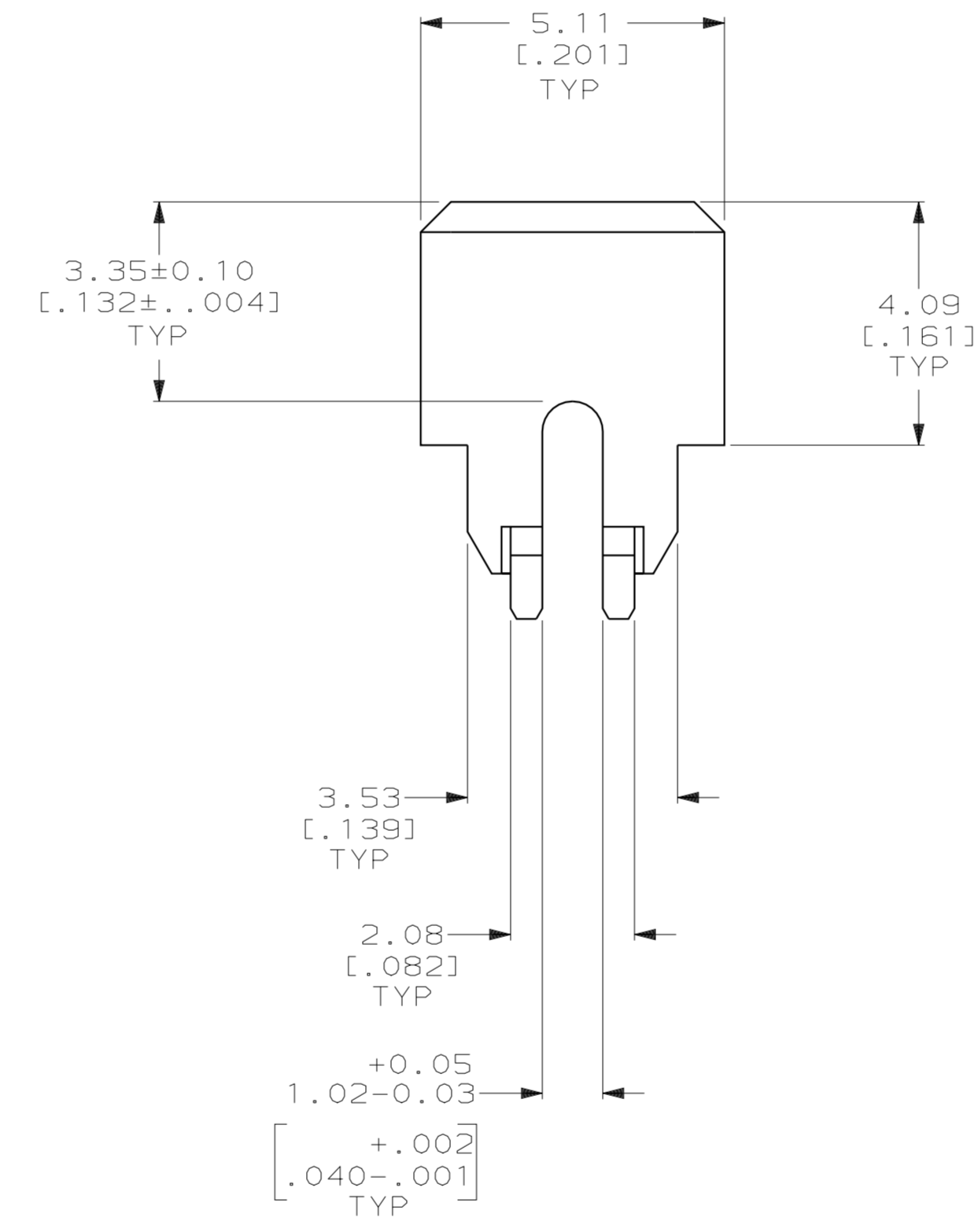
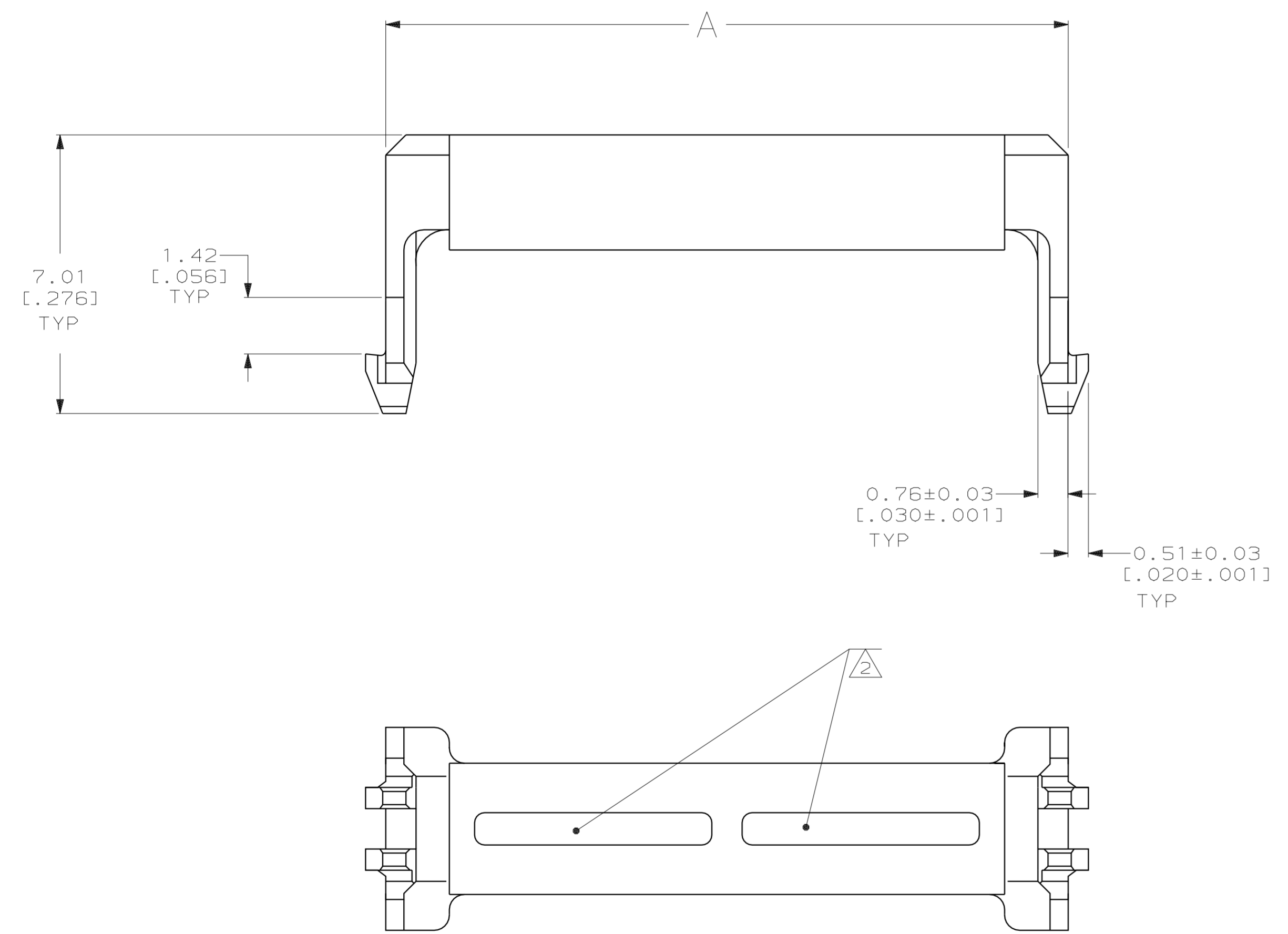
Address: A1208, Overseas Decoration Building, #122 Zhenhua RD., Futian, Shenzhen, China



REVISIONS							
LOC	DIST	P	ZONE	LTR	DESCRIPTION	DATE	APPD
GP	00				K1 REVISED PER ECO 05-008301	11MAY06	JG



- 1 POLYESTER, BLACK, UL94 V-0.
- 2 CORING CONFIGURATION VARIES BY PART SIZE.
- 3. MAXIMUM ACCEPTABLE CABLE THICKNESS 0.97 [0.38].



11.94 [4.70]	15.14 [5.96]	12	1-111614-7
7.98 [3.14]	11.18 [4.40]	8	1-111614-6
21.97 [8.65]	25.17 [9.91]	22	1-111614-5
67.97 [2.676]	71.17 [2.802]	68	1-111614-4
63.96 [2.518]	67.18 [2.645]	64	1-111614-3
59.97 [2.361]	63.17 [2.487]	60	1-111614-2
49.96 [1.967]	53.16 [2.093]	50	1-111614-1
43.97 [1.731]	47.17 [1.857]	44	1-111614-0
39.98 [1.574]	43.18 [1.700]	40	111614-9
33.96 [1.337]	37.16 [1.463]	34	111614-8
29.97 [1.180]	33.17 [1.306]	30	111614-7
25.96 [1.022]	29.16 [1.148]	26	111614-6
23.98 [0.944]	27.18 [1.070]	24	111614-5
19.96 [0.786]	23.16 [0.912]	20	111614-4
15.98 [0.629]	19.18 [0.755]	16	111614-3
13.97 [0.550]	17.17 [0.676]	14	111614-2
9.96 [0.392]	13.16 [0.518]	10	111614-1
B	A	NO OF POSN	PART NO

DO NOT SCALE PRINT. UNLESS SPECIFIED DIMENSIONS IN mm [INCHES] TOLERANCES ON: 2 PLC DEC ± 0.05 (.002) 3 PLC DEC ± - ANGLES ± -		DR 02-21-92 C.OBERMAN	AMP Incorporated Harrisburg, PA 17105-3608		
MATERIAL		CHK 03-2-92 R.STONE			NAME
		APPD 03-2-92 R.LOCATI	STRAIN RELIEF, 2mm CL, AMP-LATCH		
		APPD 03-3-92 D.HOFFMAN			
FINISH -		PRODUCT SPEC 108-1372	SIZE D	CAGE CODE 00779	DRAWING NO 111614
WEIGHT -		APPLICATION SPEC -	SCALE 10:1	SHEET 1 OF 1	