



Chipsmall Limited consists of a professional team with an average of over 10 year of expertise in the distribution of electronic components. Based in Hongkong, we have already established firm and mutual-benefit business relationships with customers from,Europe,America and south Asia,supplying obsolete and hard-to-find components to meet their specific needs.

With the principle of “Quality Parts,Customers Priority,Honest Operation,and Considerate Service”,our business mainly focus on the distribution of electronic components. Line cards we deal with include Microchip,ALPS,ROHM,Xilinx,Pulse,ON,Everlight and Freescale. Main products comprise IC,Modules,Potentiometer,IC Socket,Relay,Connector.Our parts cover such applications as commercial,industrial, and automotives areas.

We are looking forward to setting up business relationship with you and hope to provide you with the best service and solution. Let us make a better world for our industry!



## Contact us

Tel: +86-755-8981 8866 Fax: +86-755-8427 6832

Email & Skype: info@chipsmall.com Web: www.chipsmall.com

Address: A1208, Overseas Decoration Building, #122 Zhenhua RD., Futian, Shenzhen, China





4

3

2

1

THIS DRAWING IS UNPUBLISHED.

RELEASED FOR PUBLICATION

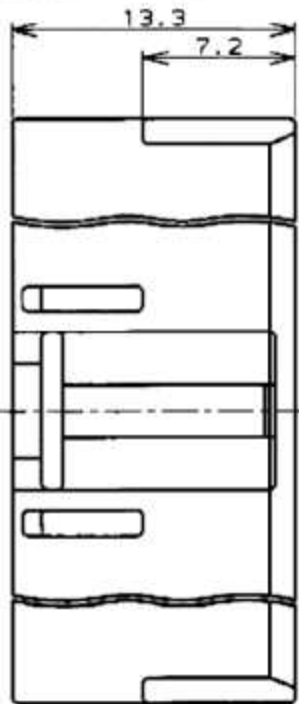
© COPYRIGHT

注記:

- 1. 適用コンタクト : 0-1123721-1
- 2. 嵌合相手製品型番 : □-1123723-□  
□-1123724-□

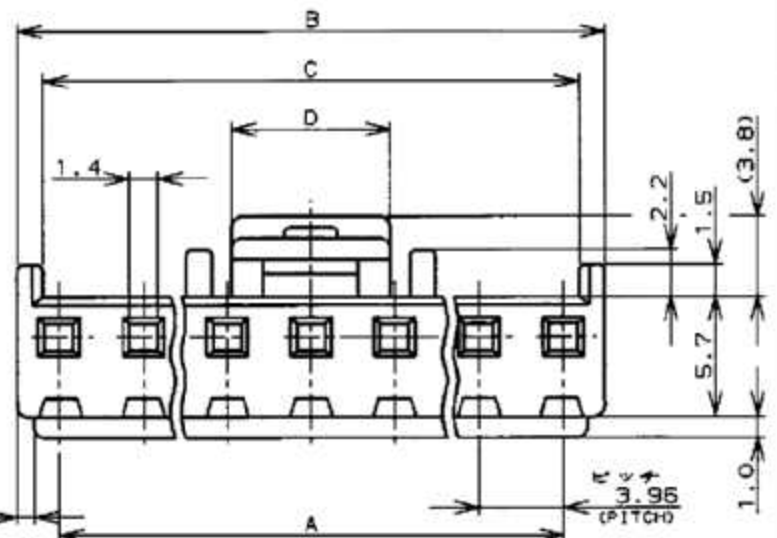
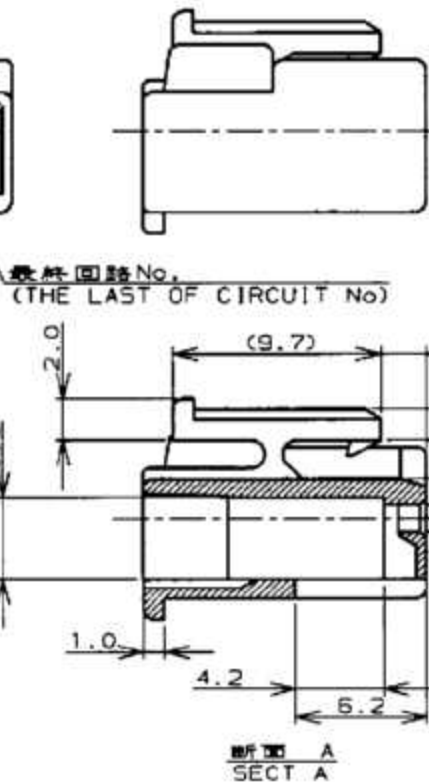
NOTES:

- 1. APPLICABLE CONTACT P/N : 0-1123721-1
- 2. MATING CONN P/N: □-1123723-□  
□-1123724-□
- 3. 7-1123722-□ MEET GWT(GLOW WIRE TEST)  
750 DEGREE SPEC



	41.10	43.50	39.60	■ 自然色 (NATURAL)	7-1123722-1	
				■ 緑 (GREEN)	6- - -1	
				■ 黒 (BLACK)	5- - -1	
				■ 赤 (RED)	4- - -1	
				■ 青 (BLUE)	3- - -1	
				■ 黄 (YELLOW)	2- - -1	
				■ 自然色 (NATURAL)	1- - -1	
7.50				■ 自然色 (NATURAL)	7- - -0	
				■ 緑 (GREEN)	6- - -0	
				■ 黒 (BLACK)	5- - -0	
				■ 赤 (RED)	4- - -0	
				■ 青 (BLUE)	3- - -0	
				■ 黄 (YELLOW)	2- - -0	
				■ 自然色 (NATURAL)	1- - -0	
	33.18	35.58	31.68	■ 自然色 (NATURAL)	9 7- - -9	
D	C	B	A	ハウジング色調 (HOUSING COLOR)	極数 (POS)	型番 (P/N)
寸法 (DIMENSION)						

	33.18	35.58	31.68	■ 緑 (GREEN)	6- - -9	
				■ 黒 (BLACK)	5- - -9	
				■ 赤 (RED)	4- - -9	
				■ 青 (BLUE)	3- - -9	
				■ 黄 (YELLOW)	2- - -9	
				■ 自然色 (NATURAL)	1- - -9	
				■ 自然色 (NATURAL)	7- - -8	
				■ 緑 (GREEN)	6- - -8	
				■ 黒 (BLACK)	5- - -8	
				■ 赤 (RED)	4- - -8	
				■ 青 (BLUE)	3- - -8	
				■ 黄 (YELLOW)	2- - -8	
				■ 自然色 (NATURAL)	1- - -8	
29.22	31.62	27.72		■ 自然色 (NATURAL)	7- - -7	
				■ 緑 (GREEN)	6- - -7	
				■ 黒 (BLACK)	5- - -7	
				■ 赤 (RED)	4- - -7	
				■ 青 (BLUE)	3- - -7	
				■ 黄 (YELLOW)	2- - -7	
				■ 自然色 (NATURAL)	1- - -7	
				■ 自然色 (NATURAL)	7- - -6	
				■ 緑 (GREEN)	6- - -6	
				■ 黒 (BLACK)	5- - -6	
				■ 赤 (RED)	4- - -6	
				■ 青 (BLUE)	3- - -6	
				■ 黄 (YELLOW)	2- - -6	
				■ 自然色 (NATURAL)	1- - -6	
				■ 自然色 (NATURAL)	7- - -5	
				■ 緑 (GREEN)	6- - -5	
				■ 黒 (BLACK)	5- - -5	
				■ 赤 (RED)	4- - -5	
				■ 青 (BLUE)	3- - -5	
				■ 黄 (YELLOW)	2- - -5	
				■ 自然色 (NATURAL)	1- - -5	
				■ 自然色 (NATURAL)	7- - -4	
				■ 緑 (GREEN)	6- - -4	
				■ 黒 (BLACK)	5- - -4	
				■ 赤 (RED)	4- - -4	
				■ 青 (BLUE)	3- - -4	
				■ 黄 (YELLOW)	2- - -4	
				■ 自然色 (NATURAL)	1- - -4	
				■ 自然色 (NATURAL)	7- - -3	
				■ 緑 (GREEN)	6- - -3	
				■ 黒 (BLACK)	5- - -3	
				■ 赤 (RED)	4- - -3	
				■ 青 (BLUE)	3- - -3	
				■ 黄 (YELLOW)	2- - -3	
				■ 自然色 (NATURAL)	1- - -3	
				■ 自然色 (NATURAL)	7- - -2	
				■ 緑 (GREEN)	6- - -2	
				■ 黒 (BLACK)	5- - -2	
				■ 赤 (RED)	4- - -2	
				■ 青 (BLUE)	3- - -2	
				■ 黄 (YELLOW)	2- - -2	
				■ 自然色 (NATURAL)	1-1123722-2	
	3.60	5.46	7.86	3.96		
D	C	B	A	ハウジング色調 (HOUSING COLOR)	極数 (POS)	型番 (P/N)
寸法 (DIMENSION)						



REV	DATE	BY	CHK	DESCRIPTION
D1	14JUN12	A.Z	F.M	REVISED PER ECR-12-010630
D	11APR12	L.L	F.M	REVISED PER ECR-12-006506
C1	21MAR11	RK	HMR	REVISED PER ECO-11-005030

DIMENSIONS: 単位: mm mm		TOLERANCES UNLESS OTHERWISE SPECIFIED 一般公差 0.3 0.4		24 JUN '98 N. YAMASAKI 24 JUN '98 M. SHINDO 24 JUN '98 M. SHINDO		<b>STE</b> TE Connectivity	
MATERIAL 66ナイロン UL94V-0 (66NYLON UL94V-0)		FINISH 仕上		PRODUCT SPEC 108-5609		3.96mm PITCH ECONOMY POWER (EP) CONN. PLUG HSG 3.96mm ピッチエコノミーパワー (EP) コネクタ プラグハウジング	
REVISIONS 変更		WEIGHT //		APPLICATION SPEC //		SIZE CAGE CODE DRAWING NO A3 00779 C-1123722	
CUSTOMER DRAWING				RESTRICTED TO		SCALE 1 OF 1 REV D1	

参考図面