



Chipsmall Limited consists of a professional team with an average of over 10 year of expertise in the distribution of electronic components. Based in Hongkong, we have already established firm and mutual-benefit business relationships with customers from,Europe,America and south Asia,supplying obsolete and hard-to-find components to meet their specific needs.

With the principle of “Quality Parts,Customers Priority,Honest Operation,and Considerate Service”,our business mainly focus on the distribution of electronic components. Line cards we deal with include Microchip,ALPS,ROHM,Xilinx,Pulse,ON,Everlight and Freescale. Main products comprise IC,Modules,Potentiometer,IC Socket,Relay,Connector.Our parts cover such applications as commercial,industrial, and automotives areas.

We are looking forward to setting up business relationship with you and hope to provide you with the best service and solution. Let us make a better world for our industry!



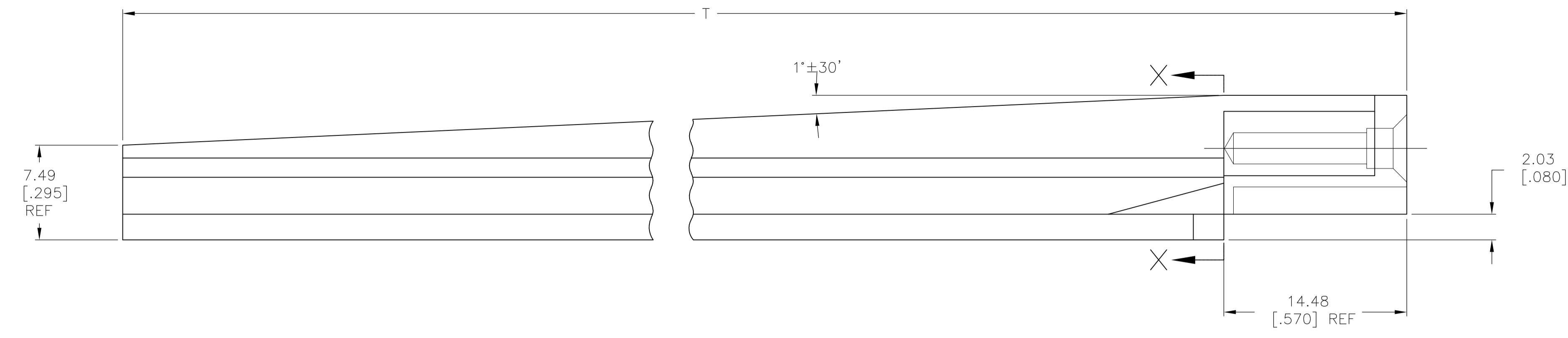
## Contact us

Tel: +86-755-8981 8866 Fax: +86-755-8427 6832

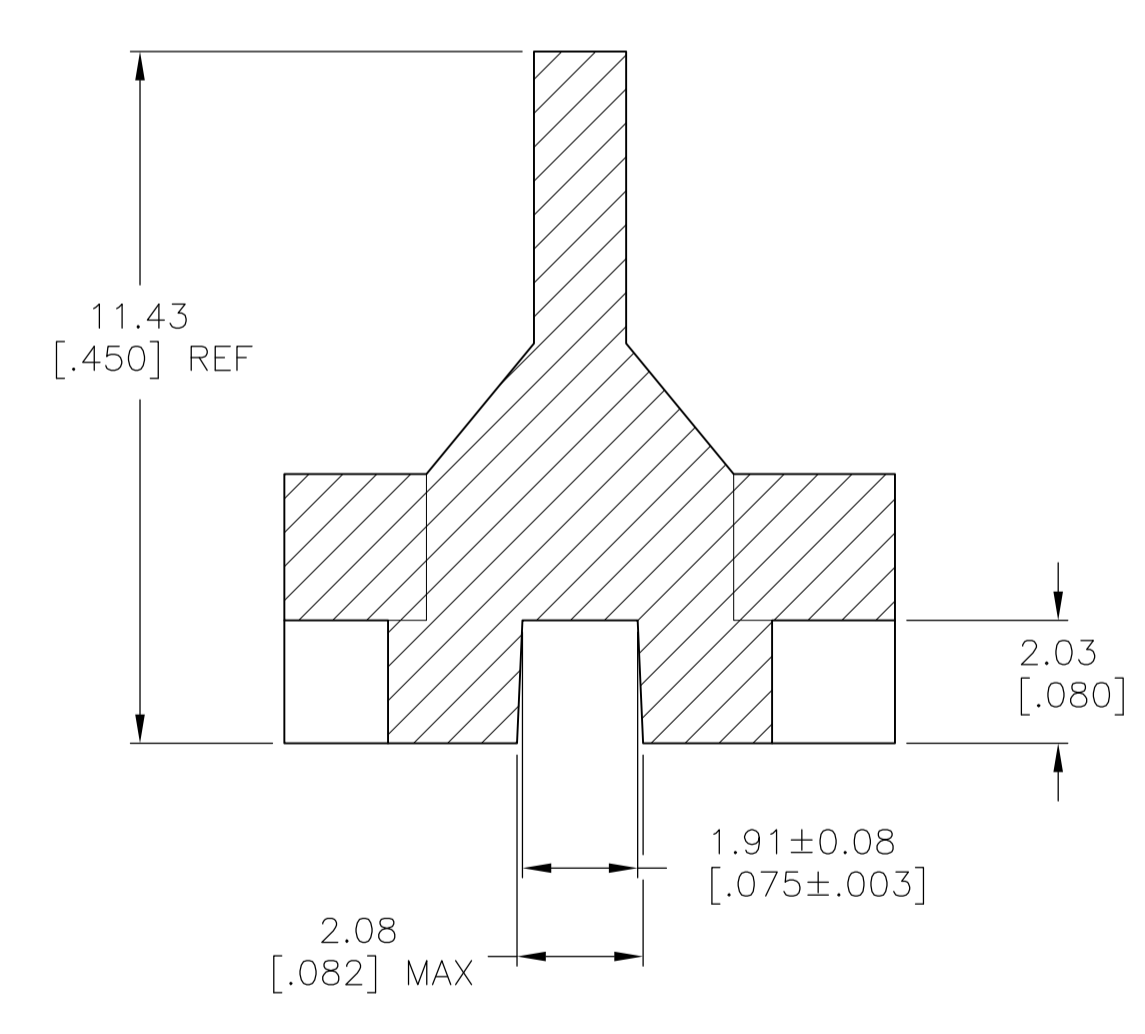
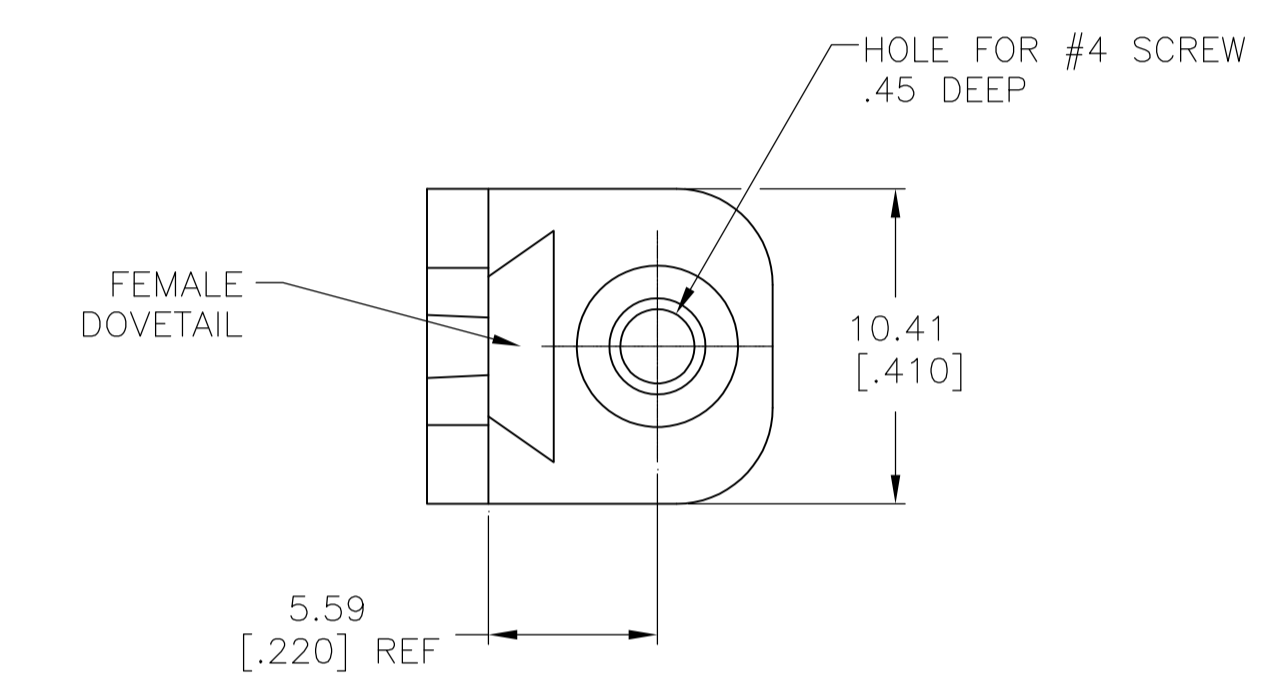
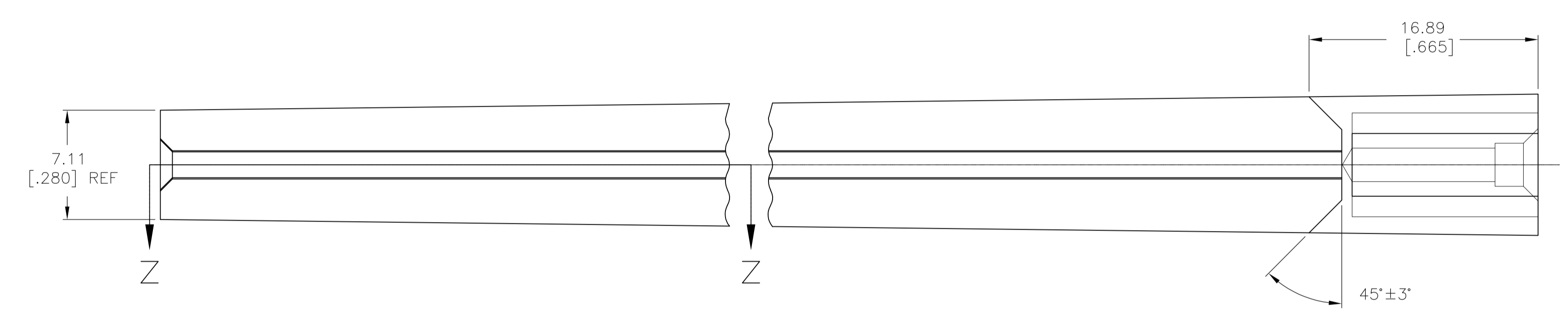
Email & Skype: info@chipsmall.com Web: www.chipsmall.com

Address: A1208, Overseas Decoration Building, #122 Zhenhua RD., Futian, Shenzhen, China

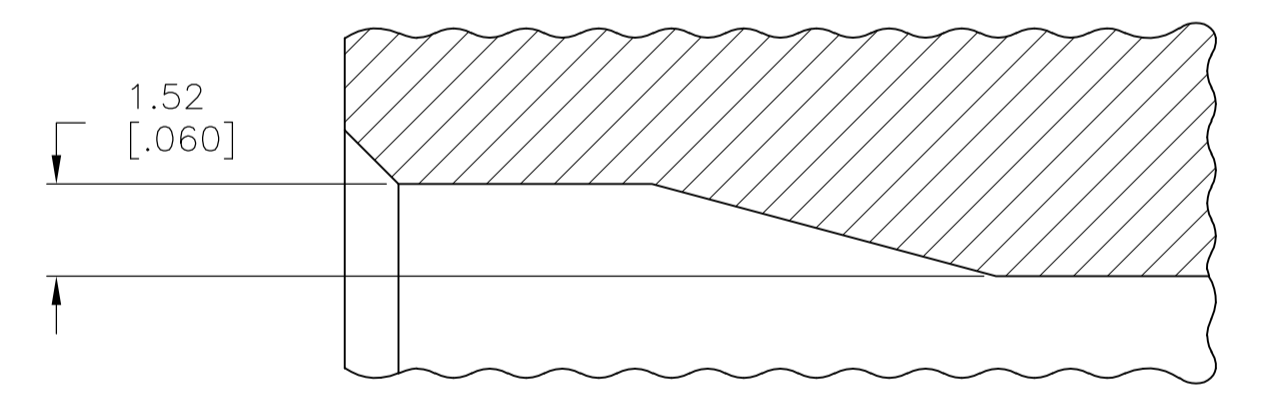




- 1 SEE VIEW A FOR TYPICAL MOUNTING DIMENSIONS WHEN USED WITH ECONOMATE I HOUSINGS 117296, 117796, 117797 & 117798.
- 2 TAKE G DIMENSION FROM 116405, 106406 OR 116407, SUBTRACT 3.30 [.130], THEN ADD 11.18 [.440] FOR HOLE SPACING.
- 3 OBSOLETE PARTS: OBSOLETE CIS STREAMLINING PER D.RENAUD/D.SINISI



SECTION X-X  
SCALE 8:1



SECTION Z-Z  
SCALE 8:1



VIEW A

OBSOLETE 3	152.40 [6.000]	1-117169-3
	18.29 [.720]	1-117169-2
	101.60 [4.000]	1-117169-6
	63.50 [2.500]	1-117169-3
	T	PART NUMBER

THIS DRAWING IS A CONTROLLED DOCUMENT.		DIN T. SHUEY 07JAN97	Tyco Electronics Corporation Harrisburg, PA 17105-3608	
DIMENSIONS: mm [INCHES]		CHK H. ROSE 31JAN97	NAME H. ROSE 31JAN97	
TOLERANCES UNLESS OTHERWISE SPECIFIED:		PRODUCT SPEC		
0. PLC ± -		APPLICATION SPEC		
1. PLC ± -		SIZE		
2. PLC ± -		CAGE CODE		
3. PLC ± 0.20 [.008]		DRAWING NO		
4. PLC ± -		RESTRICTED TO		
ANGLES ± -		WEIGHT		
FINISH -		A1 00779 C=117169		
MATERIAL VALOX 420-SEO COLOR-BLACK		CUSTOMER DRAWING		
		SCALE 4:1 SHEET 1 OF 1 REV G1		