



Chipsmall Limited consists of a professional team with an average of over 10 year of expertise in the distribution of electronic components. Based in Hongkong, we have already established firm and mutual-benefit business relationships with customers from,Europe,America and south Asia,supplying obsolete and hard-to-find components to meet their specific needs.

With the principle of "Quality Parts,Customers Priority,Honest Operation,and Considerate Service",our business mainly focus on the distribution of electronic components. Line cards we deal with include Microchip,ALPS,ROHM,Xilinx,Pulse,ON,Everlight and Freescale. Main products comprise IC,Modules,Potentiometer,IC Socket,Relay,Connector.Our parts cover such applications as commercial,industrial, and automotives areas.

We are looking forward to setting up business relationship with you and hope to provide you with the best service and solution. Let us make a better world for our industry!



## Contact us

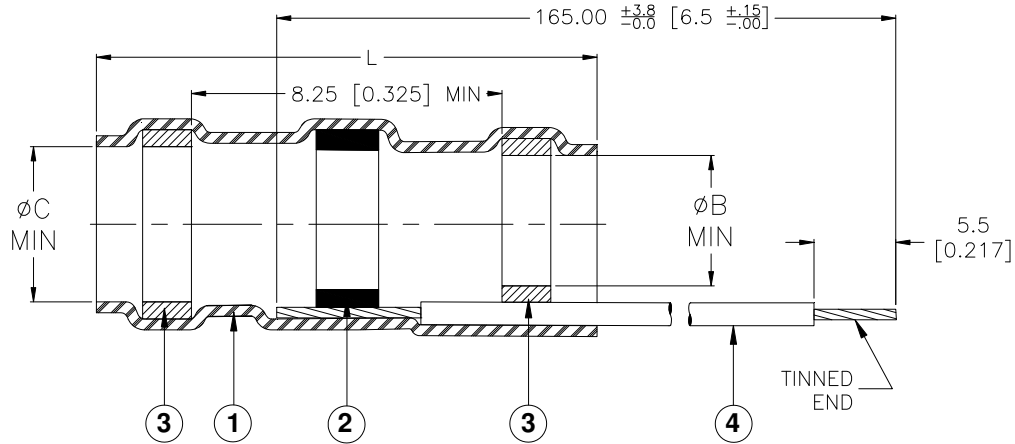
Tel: +86-755-8981 8866 Fax: +86-755-8427 6832

Email & Skype: info@chipsmall.com Web: www.chipsmall.com

Address: A1208, Overseas Decoration Building, #122 Zhenhua RD., Futian, Shenzhen, China



# CUSTOMER DRAWING



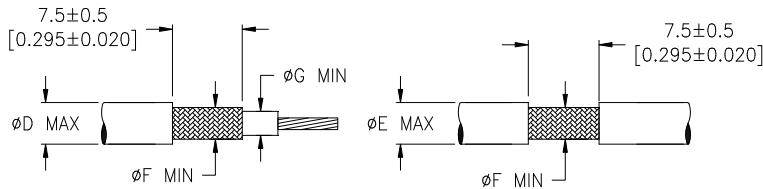
Product Name	Product Dimensions			Cable Dimensions			
AWG 22*	$L \pm 1.75$ [ $L \pm 0.07$ ]	$\phi B$ min	$\phi C$ min	$\phi D$ max	$\phi E$ max	$\phi F$ min	$\phi G$ min
S02-07-R-90-65-T	16.5 [0.650]	2.65 [0.105]	3.68 [0.145]	3.68 [0.145]	2.65 [0.105]	1.40 [0.055]	0.75 [0.030]
S02-08-R-90-65-T	16.5 [0.650]	4.30 [0.170]	5.08 [0.200]	5.08 [0.200]	4.30 [0.170]	2.15 [0.085]	1.25 [0.050]
S02-10-R-90-65-T	19.1 [0.750]	7.00 [0.275]	7.60 [0.300]	7.60 [0.300]	7.00 [0.275]	4.30 [0.170]	2.50 [0.100]

## MATERIALS

- INSULATION SLEEVE: Heat-shrinkable, transparent blue, radiation cross-linked polyvinylidene fluoride.
- SOLDER PREFORM WITH FLUX AND THERMAL INDICATOR:
  - SOLDER: TYPE Sn63 per ANSI/J-STD-006.
  - FLUX: TYPE ROL1 per ANSI/J-STD-004.
  - THERMAL INDICATOR: Color change violet to colorless.
- MELTABLE SEALING RINGS: Environment resistant thermoplastic. Color: blue.
- PRE-INSTALLED LEAD: MIL-W-22759/32-22\*-90, with pre-tinned end. Color: white/black stripe.

## APPLICATION

- These parts are designed to provide an environment resistant shield termination on cables, rated for 125°C minimum, meeting the dimensional criteria listed and having tin or silver-plated shields and insulation compatible with the insert material. For compatible insulations, see SAE-AS83519/2 or consult Raychem.
- For assembly information, refer to Tyco Electronics/Raychem document RCPS-100-70.
- Parts shall be marked with identification code "S02XXR"; XX shall be replaced with the product size 07 thru 10.
- For best results, prepare the cable as shown:



		300 Constitution Dr Menlo Park, CA 94025, U.S.A.	TITLE: <b>SOLDERSLEEVE SHIELD TERMINATOR                  ENVIRONMENT RESISTANT WITH                  PRE-TINNED END LEAD</b>		
Unless otherwise specified dimensions are in millimeters. [Inches dimensions are shown in brackets]		Raychem Devices	DOCUMENT NO.: <b>S02-XX-R-90-65-T</b>		
TOLERANCES: 0.00 N/A 0.0 N/A 0 N/A	ANGLES: N/A  ROUGHNESS IN MICRON	Tyco Electronics reserves the right to amend this drawing at any time. Users should evaluate the suitability of the product for their application.	REV: B	DATE: November 22, 2010	
PREPARED BY: UNGUYEN	CAGE CODE: 06090	ECO NUMBER: ECO-10-023873	SCALE: NTS	SIZE: A	SHEET: 1 of 1

© 2009 - 2010 Tyco Electronics Corporation. All rights reserved.

If this document is printed it becomes uncontrolled. Check for the latest revision.